



◇国家高新技术企业◇国家阀门标准编制单位



◇国家高新技术企业◇国家阀门标准编制单位

浙江五洲阀门有限公司
ZHEJIANG WUZHOU VALVE CO., LTD.

地址: 温州市永强高新技术产业园区
Add: Yongqiang High-new Tech. Industry district,
Wenzhou, Zhejiang, China
销售部(Sales department): 0577-86916820
总机(Telephone exchange): 0577-86915555
传真(Fax): 0577-86933224
邮编(Postcodes): 325024
Http://www.wuzhou-valve.com
E-mail:wz@wuzhou-valve.com



Through conduit gate valve series 平板闸阀系列

High-New Technology Enterprise of China,
National valve standard authorized unit



浙江五洲阀门有限公司
ZHEJIANG WUZHOU VALVE CO., LTD.

2006



浙江五洲阀门有限公司 总部办公大楼
ZHEJIANG WUZHOU VALVE CO., LTD. Headquarters

公司创建于1978年，是科技型阀门专业制造工厂。目前占地面积36000m²，其中建筑面积25200m²，公司员工256人，高中级技术人员46人，具有CAD、CAM开发设计制造和ERP企业资源计划管理系统。公司固定资产9800万元，拥有加工中心、数控机床及金切加工设备116台，理化、无损检测、光谱分析阀门综合性能测试设备45台（套），起重、运输设备22台。公司是国家高新技术企业，重点国家级火炬计划项目，浙江省著名商标、浙江省名牌产品，省特种阀门研发中心，中国阀门协副理事长单位，阀门国家标准编制单位，省重大高新技术产业项目单位，科技先进企业。公司已取得DNV（挪威船级社）ISO9001（2000版本）国际质量体系认证证书和美国石油学会API-6D、API 607、API 6FA证书，并取得TÜV德国莱茵公司CE认证和国家质量技术监督局压力元件制造单位AZ安全注册。公司是中国石化集团物资装备公司、中国石油天然气集团公司、中国铝业集团公司和化工部化工装备总公司、中国海洋石油公司定点供应成员单位。硬密封高温系列球阀、高

压矿砂料浆阀等获得多项国家专利，并被国家科技部列为国家重点火炬计划项目和国家级新产品以及国际尤里卡金奖，三偏心蝶阀获专利新产品奖。闸阀、截止阀等均经国家技术监督局全国统检评为一等品。

公司为石油、化工、冶金、轻工、煤化工、电站、城建供水及输油、输气、天然气、长输管线等工程，提供高温、高压、高耐磨以及大口径的球阀、平板闸阀、蝶阀、闸阀、截止阀、止回阀、矿砂料浆阀、电站阀以及引进装置配套的非标和特殊阀门十大类、1200余个品种规格。生产通径为DN15~3000mm（1/2"~120"），公称压力1.6MPa~42.0MPa（Class150~2500），工作温度为-196℃~750℃，阀门的材质有碳钢、不锈钢、耐热合金钢、蒙耐尔合金、低温钢以及其他特殊钢种，驱动方式有手动、电动、气动、齿轮传动、蜗轮蜗杆传动、气液联动、电液联动、计算机程控等。产品畅销全国各地，并出口美国、欧洲、非洲、中东、新加坡等地。公司坚持贯彻质量第一、用户至上、诚信为本的经营方针，以可用性、可信性、可靠性的三性为目标，创建“五洲”一流名牌，以优秀的质量、优惠的价格、优良的售后服务为国家经济建设服务。

The company was established in 1978, which is a technological professional valve manufacturer. Presently it covers 36,000sqm including building space of 25,200sqm, and owns 256 employees involving 46 senior & intermediate technicians. Also it developed CAD & CAM designing and ERP Planned Administration System of Enterprise's Resource. In addition, the company is in possession of fixed assets of RMB 78,000,000 Yuan (about USD 9,500,000) with 116 sets of equipments such as processing center, numerical machine tools and metal-machining facility, 45 sets of valve comprehensive performance test equipments consisting of physico-chemical inspection and NDE facility and 22 sets of crane and transportation equipment. It is a council unit of China Valve Association, Zhejiang Provincial High & new-tech Enterprise, Key High & new-tech Industrialized Unit of Zhejiang Province and Technology Advanced Enterprise. The company has acquired ISO 9001 certificate (the current version is ISO 2000) from DNV (Det Norske Veritas), API-6D certificate issued by American Petroleum Institute and CE certificate issued by TUV. Moreover, it is the pointing supply member unit of China Petro-chemical group Material Equipment Co., China Petroleum & Natural Gas Group Co., and Shanghai Baoshan Iron & steel plant. The hard-sealed high temp. serial ball valves won the international invention Urika Gold Prize, national patent and was authorized as Grade I advanced products and National key project products by National Science & technology Ministry, the variable eccentric butterfly valve won the Gold prize of patent new products and the gate & globe valves have been approved as Grade-I

products by National Technology Surveillance Bureau.

The company provides high & medium pressure ball valves, butterfly valves, parallel gate valves, gate valves, globe valves, check valves and power station valves for petroleum, chemical engineering, metallurgy, light industry, power station, city building, water supply system, oil transportation, gas feeding, natural gas and long distance transportation pipes projects. In addition, the company supplies over 1000 sorts (8 main catena) of non-standard and special valves some of whose parts are imported from other countries. The products diameter range is DN15~3000mm (1/2"~120"), the nominal pressure range is 1.6 Mpa~42.0 Mpa (Class 150~2500), and the operating temp. range is -196℃~750℃. The valve material contains carbon steel, brass, stainless steel, heat-resist alloy steel, Monel, low-temp steel and other special steels. The driving device includes lever operator, electric driving, pneumatic driving, gear transmission, worm wheel and worm handle transmission, air-liquid driving, electric-liquid driving and computer program controlled device etc.. Our products are very popular in the whole nation and exported to America, Europe, Africa, Mid-east area and Singapore etc. The company holds "Quality first, Customer utmost and honesty base" as its management policy while it sets "Usability, creditability and reliability" as its target. Wuzhou Co. will welcome customers from domestic & abroad with first-rate brand, favorable prices and excellent after-sale service.

WUZHOU VALVE

◇国家高新技术企业◇国家阀门标准编制单位
High-New Technology Enterprise of China, National valve standard authorized unit

WUZHOU VALVE



公司属国家高新技术企业，重点国家级火炬计划项目，浙江省名牌产品，省特种阀门研发中心，中国阀协理事单位，国家阀门标准编制单位，省重大高新技术产业项目单位，科技先进企业。公司已取得DNV（挪威船级社）ISO9001（2000版本）国际质量体系认证证书和美国石油学会API-6D证书，并取得TUV德国莱茵公司CE认证和国家质量技术监督局压力管理元件制造单位AZ安全注册。

The company is belonged to state high-new technique enterprise, stress national torch plan item, Zhejiang famous brand products, Vice Director Unit of China Valve Association and developing center, Province significant high-new technique industrialization item unit; advanced science and technology enterprise. The company has gained ISO9001:2000 international quality system authentication of DNV authenticate and API-6D of American Petrol Institute, CE authentication and pressure pipe component manufacturing AZ safety registration by state quality technique supervision bureau.

国家高新技术企业
High-New Technology Enterprise of China
国家阀门标准编制单位
National valve standard authorized unit

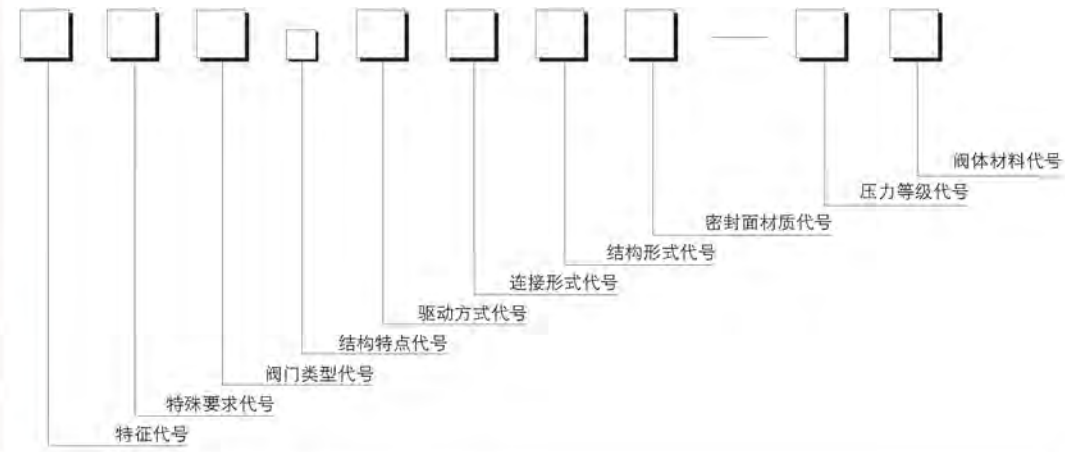


目录 CONTNES

平板闸阀型号编制说明 Through- conduit gate valve model schedule illustration	01
平行式单闸板闸阀产品结构特点及性能规范 Design features and performance specification of paralles single-disc gate valve	03
平行式单闸板闸阀流量特性分析 Flow characteristics analysis of parallel single-disc gate valve	05
平行式单闸板闸阀技术规范及主要零件材质表 Techical specification and major parts material form of parallel single-disc gate valve	06
平行式单闸板闸阀主要外形尺寸 Main outline dimension of parallel single-disc gate valve	07
轻型平板闸阀 Light-type through-conduit gate valve	13
平行式双闸板闸阀产品结构特点及性能规范 Design features and performance specification of parallel double-disc gate valve	14
平行式双闸板闸阀技术规范及主要零件材质表 Techical specification and major parts material form of parallel double-disc gate valve	15
平行式双闸板闸阀主要外形尺寸 Main outline dimension of parallel double-disc gate valve	16
燃气平板闸阀 Gas through-conduit gate valve	21
整体钢制管法兰 Integral steel flangs	24
对接焊端 Butt-welding ends	35

平板闸阀型号编制说明

Flat gate valve model schedule illustration



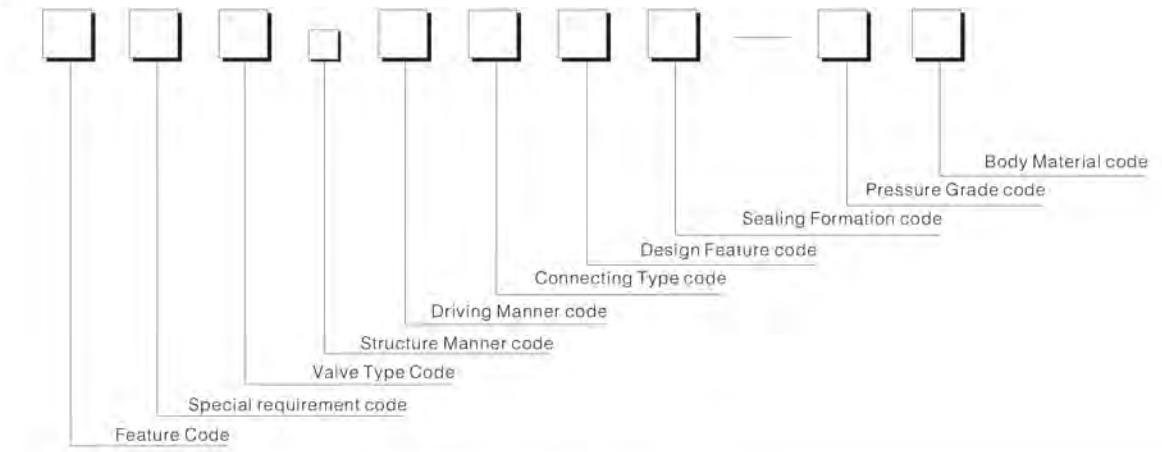
★ 特征代号:	本公司特征代号为W		
★ 特殊要求代号:	K - 抗硫型		
★ 阀门类型代号:	Z - 闸阀		
★ 结构特点代号:	Q - 轻型	L - 有导流孔型	T - 调节型 (无导流孔型略)
★ 驱动方式代号:	4 - 正齿轮传动 7 - 液动	5 - 伞齿轮传动 9 - 电动 (手轮传动略)	6 - 气动
★ 连接形式代号:	4 - 法兰连接	6 - 对焊连接	7 - 对夹连接
★ 结构形式代号:	3 - 明杆平行式单闸板 4 - 明杆平行式双闸板		
★ 密封面材质代号:	Y - 硬质合金 F - 增强聚四氟乙烯	H - 合金钢 X - 橡胶	D - 渗氮钢
★ 压力等级代号:	公称压力MPa的10倍、磅级为实数		
★ 阀体材料代号:	C - WCB V - WC9、ZG20CrMoV R - CF8M、ZG1Cr18Ni12Mo2Ti L - CF3M F - LCB	I - WC6、ZG1Cr5Mo P - CF8、ZG1Cr18Ni9Ti S - CF3 N - LC3	

例1: WKZ544Y-16C
表示公称压力为1.6MPa、伞齿轮传动、法兰连接、无导流孔、抗硫型明杆平行式双闸板闸阀, 阀体材质为WCB, 密封面材质为硬质合金。

例2: WZL943Y-150P
表示压力等级为Class150、电动、法兰连接、有导流孔、明杆平行式单闸板闸阀, 阀体材质为CF8, 密封面材质为硬质合金。

平板闸阀型号编制说明

Flat gate valve model schedule illustration



★ Feature Code:	The feature code of our company is W		
★ Special Requirement Code:	K - Antisulphur model		
★ Valve Type Code:	Z - gate valve		
★ Design Feature Code:	Q - short structure	L - diversion hole structure	T - adjustment type (The type without diversion hole omitted)
★ Driving Manner Code:	4 - spur gear transmission 7 - hydrodynamic driving	5 - bevel gear transmission 9 - electric driving(hand wheel driving omitted)	6 - air driving
★ Connecting Type code:	4 - flange-connecting	6 - butt welding connecting	7 - wafer type connecting
★ Structure Formation code:	3 - rising-stem parallel single-disc		4 - rising-stem parallel double-disc
★ Sealing Material Code:	Y - hard Alloy F - intensified polytetrafluoroethylene(PTFE)	H - alloy steel	D - nitriding steel X - rubber
★ Pressure Grade Code:	nominal rating pressure - 10Mpa、Pound grade is actual number		
★ Valve Material Code:	C - WCB V - WC9、ZG20CrMoV R - CF8M、ZG1Cr18Ni12Mo2Ti L - CF3M F - LCB	I - WC6、ZG1Cr5Mo P - CF8、ZG1Cr18Ni9Ti S - CF3 N - LC3	

Example: WKZ544Y-16C
Denoting 1.6Mpa nominal rating pressure, bevel gear transmission, flange-connecting, nondiversion hole, antisulphur rising-stem parallel double-disc gate valve, WCB valve body material and the hard alloy as sealing material;

Example2: WZL943Y-150P
Denoting Class150 pressure grade, electric driving, flange-connecting, diversion hole type, rising stem parallel single-disc,CF8 Valve body material and the hard alloy sealing material.

平行式单闸板闸阀 Parallel single-disc gate valve

产品结构特征

系列平行式单闸阀有带导流孔型、无导流孔型、调节型等几种结构形式，适用于天然气、油品、化工、城建、环保等行业，其中抗硫系列产品适用于含硫化氢介质、流速快、杂质多、腐蚀严重的天然气长输管线。

系列平行式单闸阀结构特点为：

- ★ 阀体有铸造和焊接两种结构。其中短型无导流孔平板闸阀采用焊接结构，结构长度短，重量轻，特别适用于要求重量轻的装置。
- ★ 浮动阀座的结构，使阀门进出口双向均可密封。
- ★ 阀座密封为双套密封，具有双重密封的功能，PTFE能自行清除砂粒杂质和污垢，保证密封完好。
- ★ 硬密封结构的阀门，密封面堆焊Co基硬质合金，硬度达到HRC44-52，保证密封的可靠性。
- ★ 带导流孔结构的阀门，无论全开或全关状态，闸板与阀座始终互相接触，密封面不被介质直接冲刷，从而延长使用寿命。
- ★ 阀门的耐火设计执行API 6FA和API 607的标准，对应用于烃类流液体、油气管线的阀门，执行此项标准，能达到防火要求。
- ★ 阀门全开时，通道为直管线，流阻系数及压力损失均很小，可通毛球清扫管线。
- ★ 阀门设有自动卸压保护装置，保证使用安全。
- ★ 全封闭结构，防护性能好，可全天候使用。

产品规格

系列型号	W(K)Z _(P, L, T) 43、W(K)Z _(P, L, T) 543、W(K)Z _(P, L, T) 643、W(K)Z _(P, L, T) 743、W(K)Z _(P, L, T) 943				
	W(K)Z _(P, L, T) 63、W(K)Z _(P, L, T) 563、W(K)Z _(P, L, T) 663、W(K)Z _(P, L, T) 763、W(K)Z _(P, L, T) 963				
压力等级范围	PN1.6 ~ 16.0MPa Class 150 ~ 900				
通径规格范围	Dn25 ~ 1200mm 1" ~ 48"				
驱动方式及 适用范围	手轮驱动 齿动、气动、液动、电动				
	Class150~300(PN1.6~4.0)	Class400(PN6.4)	Class600~900(PN10.0~16.0)	Class 150~900	
	1"~6"(DN25~150)	1"~4"(DN25~100)	1"~3"(DN25~80)	6"~48"	

注：本公司可根据用户要求提供产品

产品性能规范

压力等级	公称压力 (PN)						磅级 (Class)				
	1.6	2.5	4.0	6.4	10.0	16.0	150	300	400	600	900
试验压力 (MPa)	壳体试验 1.5 × PN						1.5 × PN				
	密封试验 1.1 × PN						1.1 × PN				
适用温度	-196℃ ~ 550℃ (注：不同工况温度，选用不同的材质)										
适用介质	普通型 石油、天然气、成品油等										
	抗硫型 含H ₂ S、CO的天然气、石油等										
试验压力MPa	上密封试验 1.1 × PN										
	气密封试验 0.4~0.7MPa										

注：PN为主体材料在38℃时允许的额定工作压力。

平行式单闸板闸阀 Parallel single-disc gate valve

Products design features

The series of Parallel single-disc gate valves have diversion hole, non-diversion hole and adjustment structure formations which are applied to natural gas, oil products, chemical engineering, city construction and environment protection industries. The anti-sulphur product series are fit for high speed long delivery pipeline of seriously eroded natural gas which contains H₂S medium and much impurity.

The design features of series parallel single-disc gate valve include:

- ★ The valve body has two structures of casting and welding. The short non-diversion hole flat gate valve adopts welding structure, which is short in length, light-weighted and specially fit for devices demanding light weight;
- ★ The floating seat structure makes it possible to seal both director of the valve;
- ★ The valve seat sealing adopts double-seals. PTFE can remove granule ad dirties to ensure a perfect sealing.
- ★ Hard sealing surface is build-up welded on sealing surface with Co hard alloy which results in a hardness of HRC44-52 to ensure sealing reliability;
- ★ Valve with diversion hole, either full-open or full-closed, the disc will be kept in contact with seat so that the sealing surface will not be washed out directly by mediums and the valve will become more durable;
- ★ The fire-resistant design of the valve complies with API 6Fa and API 607 standards. As for valves applied to hydrocarbon liquids and oil gas pipelines, to the carry these out standards will fulfill firefighting tasks;
- ★ When the valve is in full-opening, the passage is a straight pipeline with small fluid resistance coefficient and little pressure loss. It can be cleaned by passing a wool ball;
- ★ The valve has got a automatic pressure relief device which can ensure operation security;
- ★ The valve adopts full-shut structure which has good protection function and can be used in all weather.

Products specification

Serial models	W(K)Z _(P, L, T) 43、W(K)Z _(P, L, T) 543、W(K)Z _(P, L, T) 643、W(K)Z _(P, L, T) 743、W(K)Z _(P, L, T) 943				
	W(K)Z _(P, L, T) 63、W(K)Z _(P, L, T) 563、W(K)Z _(P, L, T) 663、W(K)Z _(P, L, T) 763、W(K)Z _(P, L, T) 963				
Pressure grade range	PN1.6 ~ 16.0MPa Class 150 ~ 900				
Drift diameter specification range	DN25 ~ 1200MM 1" ~ 48"				
Driving manner and scope of application	Hand wheel driving Gear driving, air-operating, hydrodynamic driving and electric driving				
	Class150~300(PN1.6~4.0)	Class400(PN6.4)	Class600~900(PN10.0~16.0)	Class 150~900	
	1"~6"(DN25~150)	1"~4"(DN25~100)	1"~3"(DN25~80)	6"~48"	

Notes: Our Company can provide products at customres' request.

Products performance specification

Pressure	Nominal rating pressure(PN)						Pound grade(Class)				
	1.6	2.5	4.0	6.4	10.0	16.0	150	300	400	600	900
Test pressure (MPa)	Intensity test 1.5 × PN						1.5 × PN				
	Sealing test 1.1 × PN						1.1 × PN				
Applicable temperature	-196℃ ~ 550℃ (different raw material for different work temperature)										
Applicable Medium	Ordinary type Petroleum natural gas and finished oil										
	antisulphur type Natural gas and petroleum with H ₂ S and CO										
Test pressure (MPa)	Back seal test 1.1 × PN										
	Air test 0.4~0.7MPa										

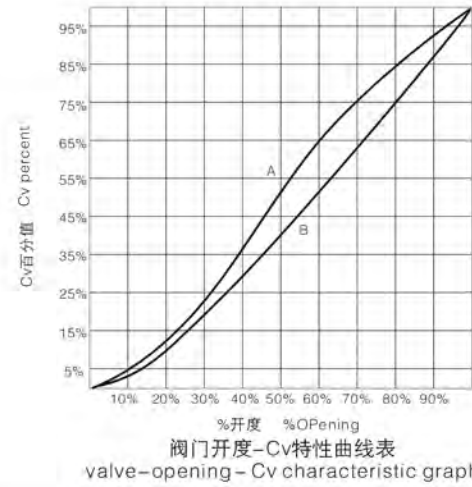
Note: PN is requested pressure for the body material under the 38℃.

平行式单闸板闸阀 PARALLEL SINGLE-DISC GATE VALVE

流量特性分析 Flow Characteristic

带导流孔的平板闸阀，其流量特性等同于同规格的管道，呈等百分比特性，不带导流孔的平板闸阀，其中腔跨度较楔式闸阀小，且属于规则的圆柱体，所以，基本上，除压力损失较带导流孔的大外，其余特性基本接近。不带导流孔调节型的平板闸阀其对流量的调节特性优于普通不带导流孔的平板闸阀。

The flow characteristic of flat gate valves with a diversion hole is equal to that of pipelines of the same specification. The characteristic is shown in percentum form. As for valves without a diversion hole, its cavity fly span is smaller than that of wedge gate valves and it is a regular cylindrical object, therefore, characteristics of the valves are similar except that they have a larger pressure loss. Besides, their flux adjustment behavior is better than that of the ones with a diversion hole.



各类型闸板外形图 Outside Drawing of Different Types of Shutter



普通型闸板
Ordinary type

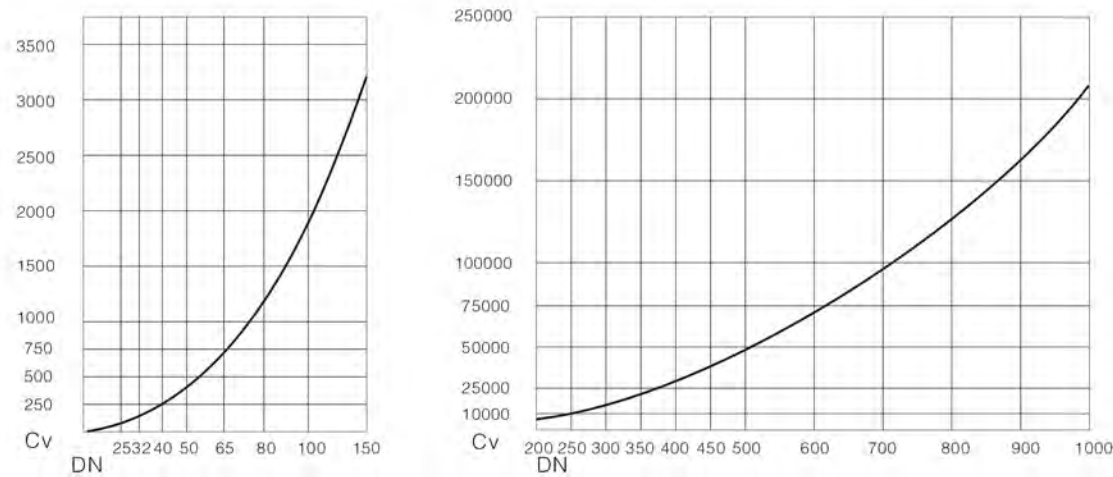


调节型闸板
Adjustment type



带导流孔型闸板
Diversion hole type

带导流孔型平板闸阀的 DN - Cv 曲线图 DN-Cv Graph of Flat Valves with A Diversion Hole



平行式单闸板闸阀 PARALLEL SINGLE-DISC GATE VALVE W(K)Z(L, T)(5, 6, 7, 9)4(6)3F(H, Y, D)

技术规范 Technical specification

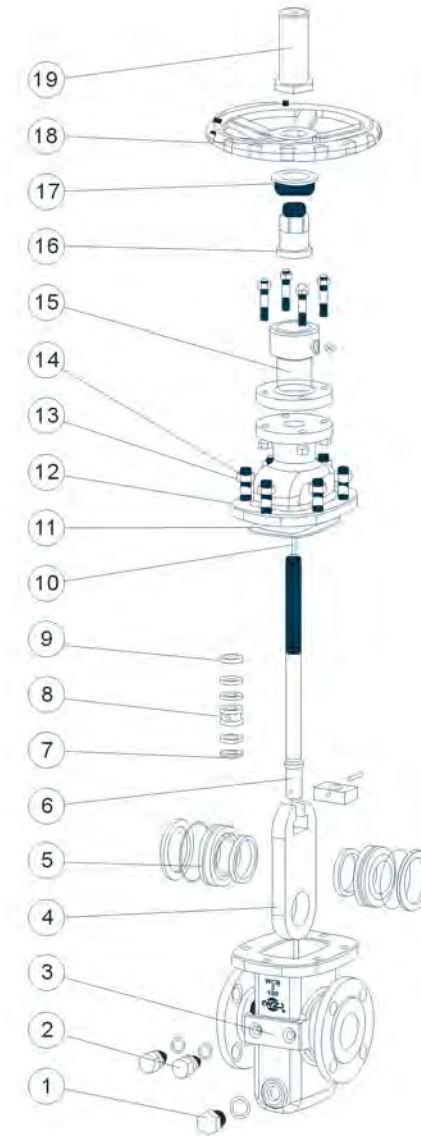
设计依据	Design reference	GB	API	ASME
设计标准	Design standard	JB/T 5298	API 6D	ASME B16.34
结构长度 Structural length	连接法兰 Flanged ends	GB/T 12221 JB/T 5298	API 6D	ASME B16.10
	焊接 Welded connection	GB/T 15188.1	API 6D	ASME B16.10
连接法兰	Flanged ends	GB/T 9113 JB/T 79 HG 20592	ASME B16.5, ASME B16.47	
对焊端	Butt-welding ends	GB/T 12224	ASME B16.25	
试验和检验	Test & inspection	JB/T 9092	API 6D	API 598

*注：系列阀门连接法兰及对焊端尺寸可根据用户要求设计制造。
Notes: Serial valve connecting flange and butt-welding terminal size can be designed at customers' request.

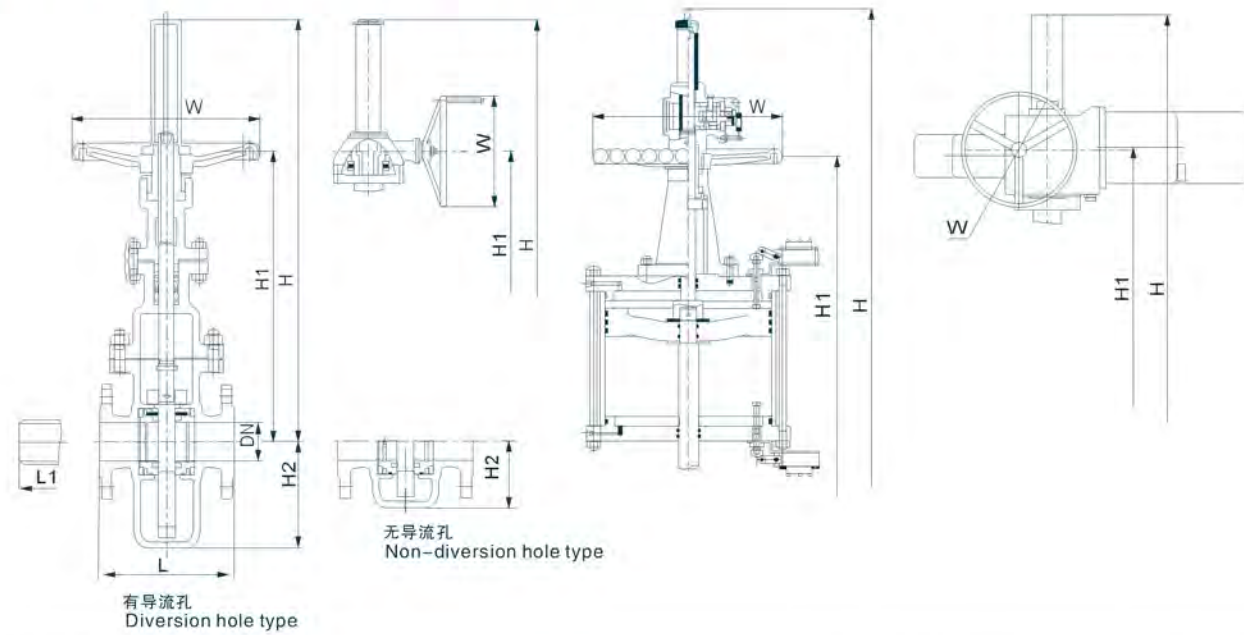
主要零件材质 Form of major parts materials

序号 No.	零件名称 Accessory name	材质 Material			
		普通型 Ordinary type		抗硫型 Antisulphur type	
		GB	ASTM	GB	ASTM
1	排污堵头 blow downstopple	2Cr13	A276-420	1Cr18Ni9	A276-304
2	注脂阀 Grease injection joint	25	A105	25	A105
3	阀体 Body	WCB	A216-WCB	WCB	A216-WCB
4	闸板 gate disc	25	A105	1Cr18Ni9	A182-F304
5	阀座 Seat	25+PTFE+NBR	A105+PTFE+NBR	1Cr18Ni9+PTFE+FPM	304+PTFE+FPM
6	阀杆 Stem	1Cr13	A182-F6a	1Cr18Ni9	A182-F304
7	下填料 Lower packing	PTFE	PTFE	PTFE	PTFE
8	隔环 Spacing ring	2Cr13	A276-420	2Cr13	A276-420
9	上填料 Upper packing	PTFE	PTFE	PTFE	PTFE
10	指示针 Indicating finger	2Cr13	A276-420	2Cr13	A276-420
11	垫片 Gasket	柔性石墨 + 不锈钢 graphite+stainless steel			
12	阀盖 Bonnet	WCB	A216-WCB	WCB	A216-WCB
13	螺栓 Bolt	35CrMoA	A193-B7	0Ni18Ni9	A193-B7M
14	螺母 Nut	35	A194-2H	0Cr18Ni9	A194-2HM
15	支架 Yoke	WCB	A216-WCB	WCB	A216-WCB
16	阀杆螺母 Stem nut	ZQA19-4	C95500	ZQA19-4	C95500
17	压盖 Gland	25	A105	25	A105
18	手轮 Hand wheel	QT400-17A536-60-40-18	QT400-17	A536-60-40-18	
19	指示罩 Indicating cover	25	A105	25	A105

*注：系列阀门主要零部件及密封面的材质可根据实际工况条件或用户特殊要求设计选用。
Notes: The major parts of the serial valves and materials of sealing surface can be designed and selected according to actual work condition or customers' specific requirement.



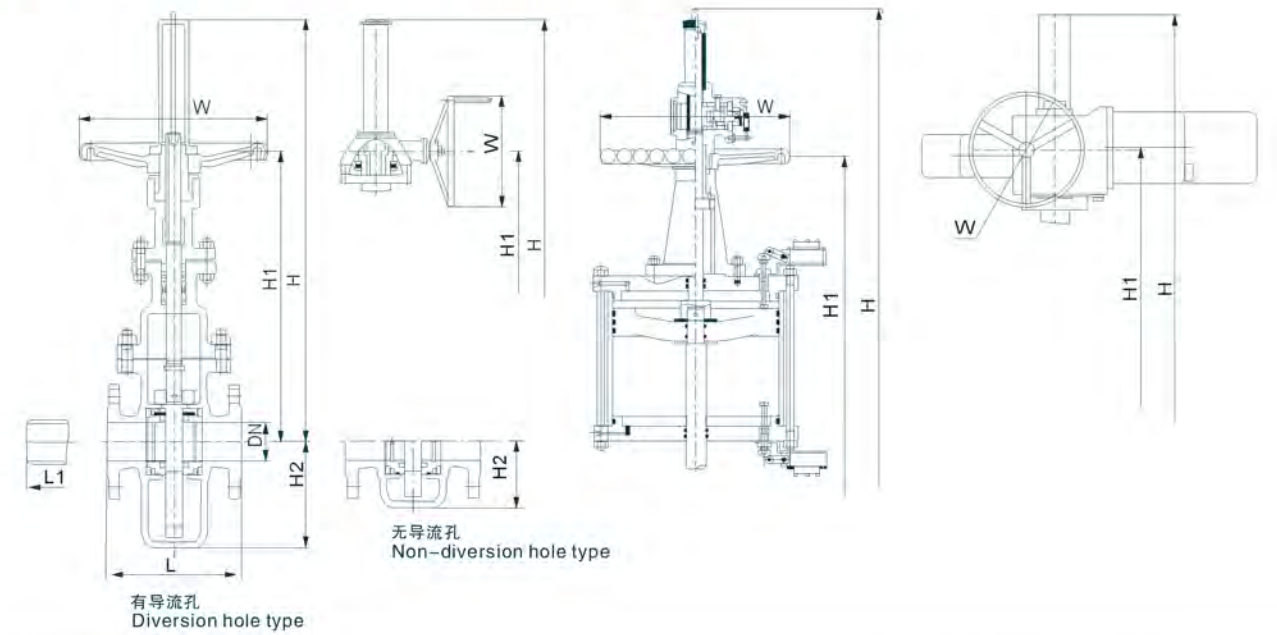
平行式单闸板闸阀
PARALLEL SINGLE-DISC GATE VALVE
W(K)Z(L, T)(5, 6, 7, 9)3F(H, Y, D)



主要外形尺寸 Main Size of outside PN1.6、2.5MPa PN2.0MPa (Class150)

DN NPS	MM	25 1	32 1 1/4	40 1 1/2	50 2	65 2 1/2	80 3	100 4	150 6	200 8	250 10	300 12	350 14	400 16	450 18	500 20	600 24	700 28	800 32	900 36	1000 40	1200 48
法兰Flange	L	127	140	165	178	190	203	229	267	292	330	356	381	406	432	457	508	610	660	711	1575	1803
对焊Butt Welding	L1	127	140	165	216	241	283	305	403	419	457	502	572	610	660	711	813	914	965	1016	-	-
手动Hand-Operated	H	278	350	435	475	535	600	700	910	1095	1370	1470	1730	1870	2185	2335	2815	-	-	-	-	-
手动Hand-Operated	H1	220	270	335	360	425	460	535	685	815	965	1100	1250	1375	1485	1575	1995	-	-	-	-	-
手动Hand-Operated	W	200	200	250	250	300	300	350	350	350	450	500	600	650	700	800	1000	-	-	-	-	-
重量(无导流孔) Weight(Non-diversion hole type)	Kg	15	20	22	25	42	48	55	115	150	260	350	500	610	970	1200	1850	-	-	-	-	-
重量(有导流孔) Weight(Diversion hole type)	Kg	17	22	24	27	46	52	62	126	165	286	385	550	670	1067	1320	2035	-	-	-	-	-
齿轮传动Gear driving	H	-	-	-	-	-	-	-	-	1235	1510	1610	1890	2030	2415	2565	3045	-	-	-	-	-
齿轮传动Gear driving	H1	-	-	-	-	-	-	-	-	900	1050	1185	1345	1470	1625	1715	2135	-	-	-	-	-
齿轮传动Gear driving	W	-	-	-	-	-	-	-	-	BA-0BA-0BA-0BA-1BA-1BA-2BA-2BA-2	-	-	-	-	-	-	-	-	-	-	-	
齿动装置Gear device	H	-	-	-	-	-	-	-	-	305	305	305	458	458	458	458	458	-	-	-	-	-
重量(无导流孔) Weight(Non-diversion hole type)	Kg	-	-	-	-	-	-	-	-	185	295	400	550	660	1030	1300	1950	-	-	-	-	-
重量(有导流孔) Weight(Diversion hole type)	Kg	-	-	-	-	-	-	-	-	200	318	432	596	713	1100	1400	3885	-	-	-	-	-
气动 液动 Air-operating and Fluid driving	H	-	-	-	-	1075	1240	1400	1595	1800	2090	2420	2615	2895	3160	3885	4065	-	-	-	-	-
气动 液动 Air-operating and Fluid driving	H1	-	-	-	-	820	945	1065	1210	1370	1590	1845	1995	2205	2405	2955	3090	-	-	-	-	-
气动 液动 Air-operating and Fluid driving	W	-	-	-	-	250	250	300	300	350	350	350	400	500	600	650	700	-	-	-	-	-
重量(无导流孔) Weight(Non-diversion hole type)	Kg	-	-	-	-	67	77	161	210	364	490	700	854	1358	1680	2590	4074	-	-	-	-	-
重量(有导流孔) Weight(Diversion hole type)	Kg	-	-	-	-	73	84	176	231	400	539	770	939	1493	1848	2849	4481	-	-	-	-	-
电动Electric Driving	H	-	-	-	690	747	812	960	1170	1355	1630	1730	2020	2160	2500	2650	3130	3630	4135	4605	5140	5670
电动Electric Driving	H1	-	-	-	572	637	672	795	945	1075	1095	1230	1417	1532	1651	1741	2161	2470	2933	3260	3645	4040
电动Electric Driving	W	-	-	-	200	200	200	508	508	508	305	305	305	305	305	305	457	457	610	610	610	610
电动装置 Electric Driving Device	-	-	-	-	SMC	SMC	SMC	SMC	SMC	SMC	SMC	SMC	SMC	SMC	SMC	SMC	SMC	SMC	SMC	SMC	SMC	SMC
重量(无导流孔) Weight(Non-diversion hole type)	Kg	-	-	-	50	61	69	100	160	220	330	420	610	720	1160	1460	2140	3610	4320	5620	6900	9460
重量(有导流孔) Weight(Diversion hole type)	Kg	-	-	-	52	65	75	107	172	235	353	452	656	773	1248	1570	2301	3476	4640	6045	7430	10200
无导流孔 Non-diversion hole type	H2	60	70	75	80	90	100	110	145	170	210	240	265	290	325	360	425	455	505	545	610	740
有导流孔 Diversion hole type	H2	90	105	115	122	152	178	220	345	420	495	600	640	720	798	875	1250	1250	1370	1500	1670	2010

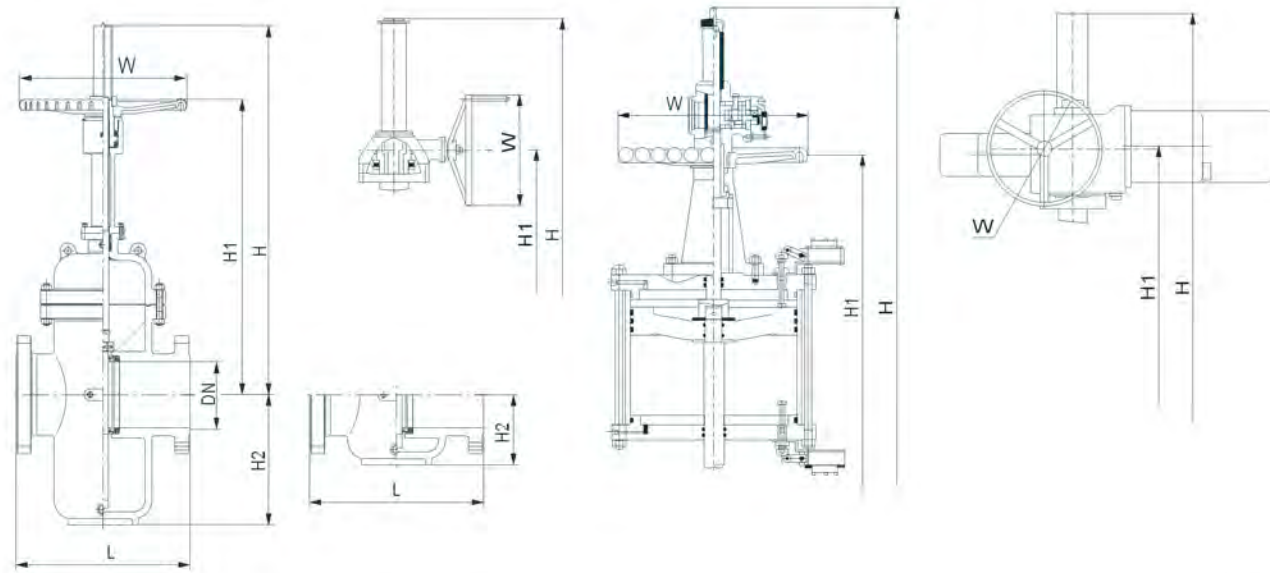
平行式单闸板闸阀
PARALLEL SINGLE-DISC GATE VALVE
W(K)Z(L, T)(5, 6, 7, 9)3F(H, Y, D)



主要外形尺寸 Main Size of outside PN4.0MPa PN5.0MPa (Class300)

DN NPS	MM	25 1	32 1 1/4	40 1 1/2	50 2	65 2 1/2	80 3	100 4	150 6	200 8	250 10	300 12	350 14	400 16	450 18	500 20	600 24	700 28	800 32	900 36	1000 40	1200 48
法兰Flange	L	165	178	190	216	241	283	305	403	419	457	502	762	838	914	991	1143	1346	1524	1727	2083	2286
对焊Butt Welding	L1	165	178	190	216	241	283	305	403	419	457	502	762	838	914	914	1143	1346	1524	1727	2083	2286
手动Hand-Operated	H	280	350	435	475	535	600	700	910	1095	1370	1470	1730	1870	2185	2335	2815	-	-	-	-	-
手动Hand-Operated	H1	220	270	335	360	425	460	535	685	815	965	1100	1250	1375	1485	1575	1995	-	-	-	-	-
手动Hand-Operated	W	200	200	250	250	300	300	350	350	350	450	500	600	650	700	800	1000	-	-	-	-	-
重量(无导流孔) Weight(Non-diversion hole type)	Kg	18	24	28	38	57	68	75	165	315	410	620	790	1270	1480	1835	2880	-	-	-	-	-
重量(有导流孔) Weight(Diversion hole type)	Kg	20	26	31	42	62	75	82	181	346	451	682	860	1380	1610	2000	3130	-	-	-	-	-
齿轮传动Gear driving	H	-	-	-	-	-	-	-	-	1235	1510	1610	1890	2030	2415	2565	3045	-	-	-	-	-
齿轮传动Gear driving	H1	-	-	-	-	-	-	-	-	900	1050	1185	1345	1470	1625	1715	2135	-	-	-	-	-
齿轮传动Gear driving	W	-	-	-	-	-	-	-	-	305	305	305	458	458	458	458	-	-	-	-	-	-
齿动装置Gear device	H	-	-	-	-	-	-	-	-	BA-0 BA-0 BA-0 BA-1 BA-1 BA-2 BA-2	-	-	-	-	-	-	-	-	-	-	-	-
重量(无导流孔) Weight(Non-diversion hole type)	Kg	-	-	-	-	-	-	-	-	350	460	670	870	1390	1620	2050	3140	-	-	-	-	-
重量(有导流孔) Weight(Diversion hole type)	Kg	-	-	-	-	-	-	-	-	378	497	723	939	1500	1750	2215	3390	-	-	-	-	-
气动 液动 Air-operating and Fluid driving	H	-	-	-	-	1075	1240	1400	1595	1800	2090	2420	2615	2895	3160	3885	4065	-	-	-	-	-
气动 液动 Air-operating and Fluid driving	H1	-	-	-	-	820	945	1065	1210	1370	1590	1845	1995	2205	2405	2955	3090	-	-	-	-	-
气动 液动 Air-operating and Fluid driving	W	-	-	-	-	250	250	300	300	350	350	350	400	500	600	650	700	-	-	-	-	-
重量(无导流孔) Weight(Non-diversion hole type)	Kg	-	-	-	-	95	105	231	441	574	868	1148	1806	2128	2730	4116	4925	-	-	-	-	-
重量(有导流孔) Weight(Diversion hole type)	Kg	-	-	-	-	105	115	253	485	632	955	1262	2002	2352	2961	4556	5400	-	-	-	-	-
电动Electric Driving	H	-	-	-	690	747	860	960	1170	1355	1630	1760	2020	2185	2500	2695	3175	3670	4136	4673	5747	6820
电动Electric Driving	H1	-	-	-	572	637	720	795	945	1075	1095	1257	1407	1541	1651	1757	2177	2606	2933	3317	4085	4850
电动Electric Driving	W	-	-	-	200	200	508	508	508	305	305	305	305	305	305	457	457	610	610	610	610	610
电动装置 Electric Driving Device	-	-	-	-	SMC	SMC	SMC	SMC	SMC	SMC	SMC	SMC	SMC	SMC	SMC	SMC	SMC	SMC	SMC	SMC	SMC	SMC
重量(无导流孔) Weight(Non-diversion hole type)	Kg	-	-	-	76	90	110	125	235	385	520	770	1000	1450	1700	2160	3400	4170	5580	7200	10440	13680
重量(有导流孔) Weight(Diversion hole type)	Kg	-	-	-	82	98	120	138	250	413	557	823	1039	1500	1830	2325	3540	4770	6295	7680	10450	14200
无导流孔 Non-diversion hole type	H2	60	70	75	80	90	100	110	145	170	210	240	265	290	325	360	425	455	505	545	625	705
有导流孔 Diversion hole type	H2	90	105	115	122	152	178	220	345	420	495	600	640	720	798	875	1170	1250	1370	1500	1760	2020

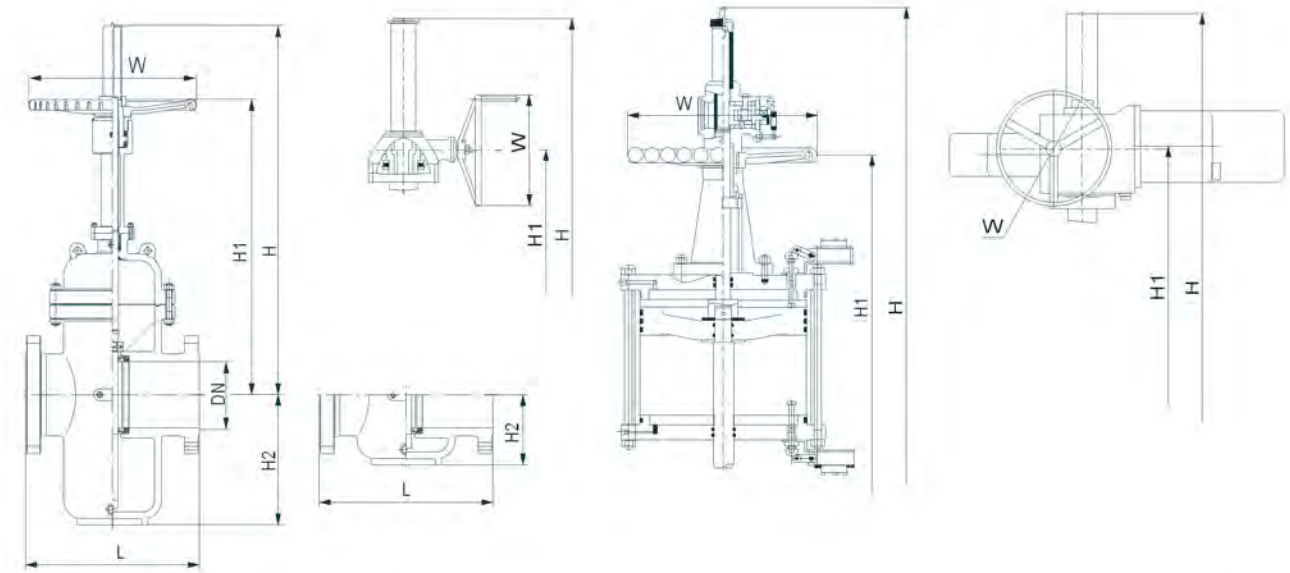
平行式单闸板闸阀
PARALLEL SINGLE-DISC GATE VALVE
W(K)Z(L, T)(5, 6, 7, 9)3F(H, Y, D)



主要外形尺寸Main Size of outside PN6.4MPa

DN	MM	25	32	40	50	65	80	100	150	200	250	300	350	400	450	500	600	700	800	900	1000	1200	
NPS	in	1	1¼	1½	2	2½	3	4	6	8	10	12	14	16	18	20	24	28	32	36	40	48	
法兰Flange	L	216	229	241	250	280	310	350	450	550	650	750	850	950	1050	1150	1350	1450	1650	1880	2028	2464	
对焊Butt Welding	L1	216	229	241	292	330	356	406	495	597	673	762	826	902	978	1054	1232	1397	1651	1880	2028	2464	
手动Hand-Operated	H	295	368	457	499	562	630	735	956	1150	1439	1545	1817	1965	2295	2452	-	-	-	-	-	-	-
手动Hand-Operated	H1	230	285	352	378	446	483	562	720	856	1013	1155	1313	1445	1560	1655	-	-	-	-	-	-	-
手动Hand-Operated	W	200	200	250	250	300	300	350	350	400	500	600	650	700	800	1000	-	-	-	-	-	-	-
重量(无导流孔) Weight(Non-diversion hole type)	Kg	20	27	38	55	72	85	98	205	350	496	760	960	1400	1610	2130	-	-	-	-	-	-	-
重量(有导流孔) Weight(Diversion hole type)	Kg	23	31	43	60	79	93	108	225	385	539	836	1040	1550	1830	2320	-	-	-	-	-	-	-
齿轮传动Gear driving	H	-	-	-	-	-	-	-	1096	1290	1580	1705	1977	2125	2525	2682	3186	-	-	-	-	-	-
齿轮传动Gear driving	H1	-	-	-	-	-	-	-	805	941	1098	1250	1408	1540	1700	1795	2235	-	-	-	-	-	-
齿轮传动Gear driving	W	-	-	-	-	-	-	-	305	305	305	458	458	458	458	458	-	-	-	-	-	-	-
齿动装置Gear device									BA-0	BA-0	BA-0	BA-1	BA-1	BA-1	BA-2	BA-2	-	-	-	-	-	-	-
重量(无导流孔) Weight(Non-diversion hole type)	Kg	-	-	-	-	-	-	-	240	400	540	810	1200	1680	1980	2400	3850	-	-	-	-	-	-
重量(有导流孔) Weight(Diversion hole type)	Kg	-	-	-	-	-	-	-	260	432	583	875	1300	1815	2140	2590	4156	-	-	-	-	-	-
气动液动 Air-operating and Fluid driving	H	-	-	-	-	-	1130	1302	1470	1675	1890	2195	2542	2746	3040	3318	4080	4268	-	-	-	-	-
气动液动 Air-operating and Fluid driving	H1	-	-	-	-	-	861	992	1118	1271	1440	1670	1937	2095	2315	2525	3103	3245	-	-	-	-	-
气动液动 Air-operating and Fluid driving	W	-	-	-	-	-	250	250	300	300	350	350	350	400	500	600	650	700	-	-	-	-	-
重量(无导流孔) Weight(Non-diversion hole type)	Kg	-	-	-	-	-	200	250	354	470	592	895	1210	1835	2185	2750	4190	4980	-	-	-	-	-
重量(有导流孔) Weight(Diversion hole type)	Kg	-	-	-	-	-	250	305	405	500	650	970	1320	2160	2410	2982	4596	5450	-	-	-	-	-
电动Electric Driving	H	-	-	-	723	785	902	1007	1216	1440	1728	1833	2131	2278	2655	2812	3356	3902	4393	4863	5804	6745	
电动Electric Driving	H1	-	-	-	601	670	756	835	848	1013	1170	1312	1480	1610	1741	1936	2413	2777	3121	3428	4042	4656	
电动Electric Driving	W	-	-	-	200	200	508	508	305	305	305	305	305	305	457	457	610	610	610	760	760	760	
电动装置 Electric Driving Device					SMC	SMC	SMC	SMC	SMC	SMC	SMC	SMC	SMC	SMC	SMC	SMC	SMC	SMC	SMC	SMC	SMC	SMC	SMC
					-04	-04	-03	-03	-00	-0	-0	-0	-1	-1	-2	-2	-3	-4	-4	-5	-5	-5	-5
重量(无导流孔) Weight(Non-diversion hole type)	Kg	-	-	-	105	122	135	148	300	460	640	860	1280	1790	2090	2410	3880	5030	5920	7290	10050	12770	
重量(有导流孔) Weight(Diversion hole type)	Kg	-	-	-	107	126	140	153	320	492	683	975	1380	1925	2250	2600	4450	5300	6630	7740	9960	12180	
无导流孔 Non-diversion hole type	H2	66	77	83	88	100	110	121	160	187	230	265	292	320	358	396	468	500	556	600	680	770	
有导流孔 Diversion hole type	H2	100	116	127	135	167	196	242	380	462	545	660	705	792	878	963	1287	1375	1507	1650	1935	2220	

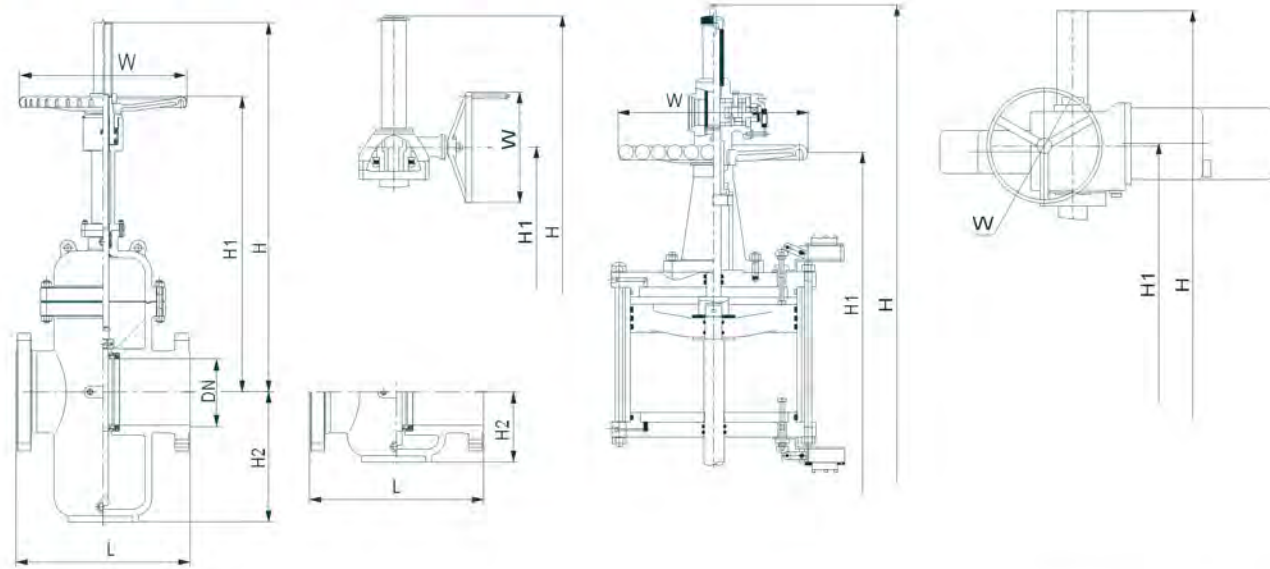
平行式单闸板闸阀
PARALLEL SINGLE-DISC GATE VALVE
W(K)Z(L, T)(5, 6, 7, 9)3F(H, Y, D)



主要外形尺寸Main Size of outside Class400

DN	MM	25	32	40	50	65	80	100	150	200	250	300	350	400	450	500	600	700	800	900	1000	1200	
NPS	in	1	1¼	1½	2	2½	3	4	6	8	10	12	14	16	18	20	24	28	32	36	40	48	
法兰Flange	L	216	229	241	292	330	356	406	495	597	673	762	826	902	978	1054	1232	1397	1651	1880	2028	2464	
对焊Butt Welding	L1	216	229	241	292	330	356	406	495	597	673	762	826	902	978	1054	1232	1397	1651	1880	2028	2464	
手动Hand-Operated	H	295	368	457	499	562	630	735	956	1150	1439	1545	1817	1965	2295	2452	-	-	-	-	-	-	-
手动Hand-Operated	H1	230	285	352	378	446	483	562	720	856	1013	1155	1313	1445	1560	1655	-	-	-	-	-	-	-
手动Hand-Operated	W	200	200	250	250	300	300	350	350	400	500	600	650	700	800	1000	-	-	-	-	-	-	-
重量(无导流孔) Weight(Non-diversion hole type)	Kg	20	27	38	55	72	85	98	205	350	496	760	960	1400	1610	2130	-	-	-	-	-	-	-
重量(有导流孔) Weight(Diversion hole type)	Kg	23	31	43	60	79	93	108	225	385	539	836	1040	1550	1830	2320	-	-	-	-	-	-	-
齿轮传动Gear driving	H	-	-	-	-	-	-	-	1096	1290	1580	1705	1977	2125	2525	2682	3186	-	-	-	-	-	-
齿轮传动Gear driving	H1	-	-	-	-	-	-	-	805	941	1098	1250	1408	1540	1700	1795	2235	-	-	-	-	-	-
齿轮传动Gear driving	W	-	-	-	-	-	-	-	305	305	305	458	458	458	458	458	-	-	-	-	-	-	-
齿动装置Gear device									BA-0	BA-0	BA-0	BA-1	BA-1	BA-1	BA-2	BA-2	BA-2	-	-	-	-	-	-
重量(无导流孔) Weight(Non-diversion hole type)	Kg	-	-	-	-	-	-	-	240	400	540	810	1200	1680	1980	2400	4980	-	-	-	-	-	-
重量(有导流孔) Weight(Diversion hole type)	Kg	-	-	-	-	-	-	-	260	432	583	875	1300	1815	2140	2590	5450	-	-	-	-	-	-
气动液动 Air-operating and Fluid driving	H	-	-	-	-	-	1130	1302	1470	1675	1890	2195	2542	2746	3040	3318	4080	4268	-	-	-	-	-
气动液动 Air-operating and Fluid driving	H1	-	-	-	-	-	861	992	1118	1271	1440	1670	1937	2095	2315	2525	3103	3245	-	-	-	-	-
气动液动 Air-operating and Fluid driving	W	-	-	-	-	-	250	250	300	300	350	350	350	400	500	600	650	700	-	-	-	-	-
重量(无导流孔) Weight(Non-diversion hole type)	Kg	-	-	-	-	-	200	250	354	470	592	895	1210	1835	2185	2750	4190	4980	-	-	-	-	-
重量(有导流孔) Weight(Diversion hole type)	Kg	-	-	-	-	-	250	305	405	500	650	970	1320	2160	2410	2982	4596	5450	-	-	-	-	-
电动Electric Driving	H	-	-	-	723	785	902	1007	1216	1440	1728	1833	2131	2278	2655	2812	3356	3902	4393	4863	5804	6745	
电动Electric Driving	H1	-	-	-	601	670	756	835	848	1013	1170	1312	1480	1610	1741	1936	2413	2777	3121	3428	4042	4656	
电动Electric Driving	W	-	-	-	200	200	508	508	305	305	305	305	305	305	457	457	610	610	610	760	760	760	
电动装置 Electric Driving Device					SMC	SMC	SMC	SMC	SMC	SMC	SMC	SMC	SMC	SMC	SMC	SMC	SMC	SMC	SMC	SMC	SMC	SMC	SMC
					-04	-04	-03	-03	-00	-0	-0	-0	-1	-1	-2	-2	-3	-4	-4	-5	-5	-5	-5
重量(无导流孔) Weight(Non-diversion hole type)	Kg	-	-	-	105	122	135	148	300	460	640	860	1280	1790	2090	2410	3880	5030	5920	7290	10050	12770	
重量(有导流孔) Weight(Diversion hole type)	Kg	-	-	-	107	126	140	153	320	492	683	975	1380	1925	2250	2600	4450	5300	6630	7740	9960	12180	
无导流孔 Non-diversion hole type	H2	66	77	83	88	100	110	121	160	187	230	265	292	320	358	396	468	500	556	600	680	770	
有导流孔 Diversion hole type	H2	100	116	127	135	167	196	242	380	462	545	660	705	792	878	963	1287	1375	1507	1650	1935	2220	

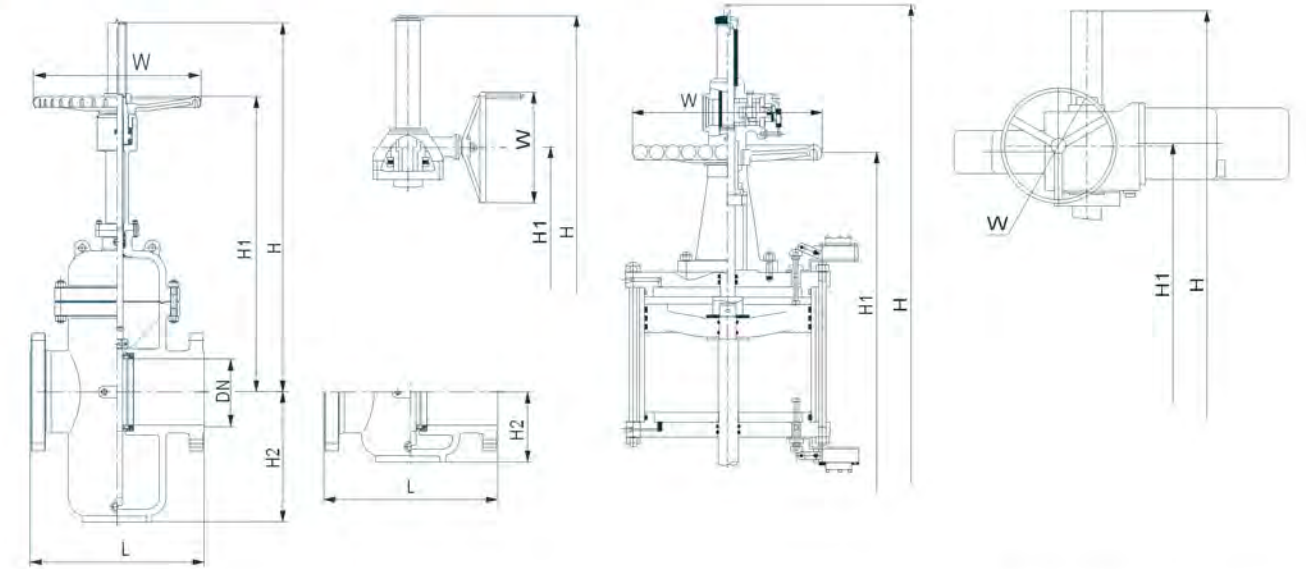
平行式单闸板闸阀
PARALLEL SINGLE-DISC GATE VALVE
W(K)Z(L, T)(5, 6, 7, 9)3F(H, Y, D)



主要外形尺寸Main Size of outside PN10.0MPa (Class600)

DN NPS	MM	25 1	32 1 1/4	40 1 1/2	50 2	65 2 1/2	80 3	100 4	150 6	200 8	250 10	300 12	350 14	400 16	450 18	500 20	600 24	700 28	800 32	900 36	1000 40
法兰Flange	L	216	229	241	292	330	356	432	559	660	787	838	889	991	1092	1194	1397	1549	1778	2083	2387
对焊Butt Welding	L1	216	229	241	292	330	356	432	559	660	787	838	889	991	1092	1194	1397	1549	1778	2083	2387
手动Hand-Operated	H	295	368	457	499	562	630	735	956	1150	1439	1545	1817	1965	-	-	-	-	-	-	-
手动Hand-Operated	H1	230	285	352	378	446	483	562	720	856	1013	1155	1313	1445	-	-	-	-	-	-	-
手动Hand-Operated	W	200	250	250	300	350	350	400	500	600	650	700	800	1000	-	-	-	-	-	-	-
重量(无导流孔) Weight(Non-diversion hole type)	Kg	24	32	45	59	85	98	122	288	495	570	790	1000	1498	-	-	-	-	-	-	-
重量(有导流孔) Weight(Diversion hole type)	Kg	28	36	53	65	93	108	134	317	545	627	869	1100	1630	-	-	-	-	-	-	-
齿轮传动Gear driving	H	-	-	-	-	-	-	-	1096	1290	1580	1705	1977	2125	2525	2682	-	-	-	-	-
齿轮传动Gear driving	H1	-	-	-	-	-	-	-	805	941	1098	1250	1408	1540	1700	1795	-	-	-	-	-
齿轮传动Gear driving	W	-	-	-	-	-	-	-	305	305	458	458	458	458	458	458	-	-	-	-	-
齿动装置Gear device									BA-0	BA-0	BA-0	BA-1	BA-1	BA-2	BA-2						
重量(无导流孔) Weight(Non-diversion hole type)	Kg	-	-	-	-	-	-	-	172	338	445	670	1190	1800	2260	2910	3350	-	-	-	-
重量(有导流孔) Weight(Diversion hole type)	Kg	-	-	-	-	-	-	-	185	365	480	725	1285	1945	2470	2970	3610	-	-	-	-
气动 液动 Air-operating and Fluid driving	H	-	-	-	-	-	-	-	1130	1302	1470	1675	1890	2195	2542	2746	3040	3318	4080	4268	-
气动 液动 Air-operating and Fluid driving	H1	-	-	-	-	-	-	-	861	992	1118	1271	1440	1670	1937	2095	2315	2525	3103	3245	-
气动 液动 Air-operating and Fluid driving	W	-	-	-	-	-	-	-	250	250	300	300	350	350	400	500	600	650	700	-	-
重量(无导流孔) Weight(Non-diversion hole type)	Kg	-	-	-	-	-	-	-	215	260	390	490	630	935	1590	1915	2258	2840	4285	5120	-
重量(有导流孔) Weight(Diversion hole type)	Kg	-	-	-	-	-	-	-	265	315	446	540	695	1010	1410	2254	2635	3055	4690	5610	-
电动Electric Driving	H	-	-	-	723	821	890	995	1245	1440	1753	1858	2177	2365	2695	2922	3426	3983	4485	5490	6495
电动Electric Driving	H1	-	-	-	600	705	742	690	876	1013	1199	1321	1495	1762	1877	2030	2470	2835	3186	3890	4600
电动Electric Driving	W	-	-	-	200	508	508	305	305	305	305	305	457	610	610	610	610	760	760	760	760
电动装置 Electric Driving Device					SMC	SMC	SMC	SMC	SMC	SMC	SMC	SMC	SMC	SMC	SMC	SMC	SMC	SMC	SMC	SMC	SMC
重量(无导流孔) Weight(Non-diversion hole type)	Kg	-	-	-	-04	-03	-03	-00	-0	-0	-1	-1	-2	-3	-3	-4	-4	-5	-5	-5	-5
重量(有导流孔) Weight(Diversion hole type)	Kg	-	-	-	109	135	150	192	398	544	720	1270	1880	2480	2930	3380	4210	5260	6220	8150	10000
重量(有导流孔) Weight(Diversion hole type)	Kg	-	-	-	112	140	155	205	425	580	775	1365	2025	2270	2980	3650	4650	5610	6850	9300	11000
无导流孔 Non-diversion hole type	H2	66	77	83	88	100	100	121	160	187	230	265	292	320	358	396	468	500	556	670	780
有导流孔 Diversion hole type	H2	100	116	127	135	167	196	242	380	462	545	660	705	792	878	963	1287	1375	1507	1770	2035

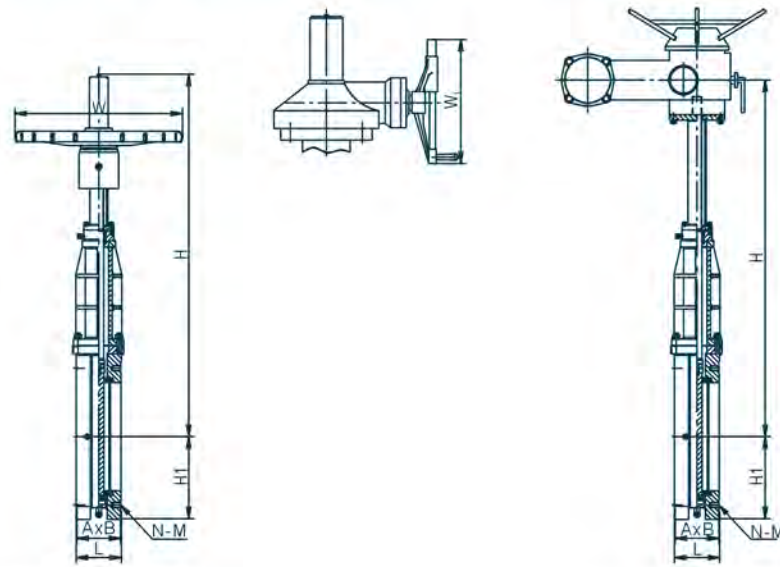
平行式单闸板闸阀
PARALLEL SINGLE-DISC GATE VALVE
W(K)Z(L, T)(5, 6, 7, 9)3F(H, Y, D)



主要外形尺寸Main Size of outside PN15.0MPa (Class900)

DN NPS	MM	25 1	32 1 1/4	40 1 1/2	50 2	65 2 1/2	80 3	100 4	150 6	200 8	250 10	300 12	350 14	400 16	450 18	500 20	600 24	700 28	
法兰Flange	L	254	279	305	368	419	381	457	610	737	838	965	1029	1130	1219	1321	1549	1905	
对焊Butt Welding	L1	254	279	305	368	419	381	457	610	737	838	965	1029	1130	1219	1321	1549	1905	
手动Hand-Operated	H	325	405	503	550	618	693	810	1052	1263	1583	1698	-	-	-	-	-	-	
手动Hand-Operated	H1	253	312	387	416	491	531	618	791	942	1136	1271	-	-	-	-	-	-	
手动Hand-Operated	W	250	300	300	350	400	500	600	650	700	800	1000	-	-	-	-	-	-	
重量(无导流孔) Weight(Non-diversion hole type)	Kg	27	34	50	81	115	155	200	600	780	1060	1280	-	-	-	-	-	-	
重量(有导流孔) Weight(Diversion hole type)	Kg	31	38	58	90	125	170	220	650	840	1120	1390	-	-	-	-	-	-	
齿轮传动Gear driving	H	-	-	-	-	-	-	833	950	1212	1423	1813	1928	2230	-	-	-	-	
齿轮传动Gear driving	H1	-	-	-	-	-	-	616	703	886	1037	1276	1411	1585	-	-	-	-	
齿轮传动Gear driving	W	-	-	-	-	-	-	305	305	458	458	458	458	458	-	-	-	-	
齿动装置Gear device									BA-0	BA-0	BA-1	BA-1	BA-2	BA-2	BA-2				
重量(无导流孔) Weight(Non-diversion hole type)	Kg	-	-	-	-	-	-	190	250	650	880	1160	1380	1990	-	-	-	-	
重量(有导流孔) Weight(Diversion hole type)	Kg	-	-	-	-	-	-	205	270	700	950	1250	1490	2115	-	-	-	-	
气动 液动 Air-operating and Fluid driving	H	-	-	-	-	-	-	1242	1432	1617	1843	2080	2415	2795	3021	3345	3650	4487	5350
气动 液动 Air-operating and Fluid driving	H1	-	-	-	-	-	-	947	1091	1230	1398	1583	1837	2131	2305	2547	2778	3413	4050
气动 液动 Air-operating and Fluid driving	W	-	-	-	-	-	-	250	300	300	350	350	400	500	600	700	800	800	
重量(无导流孔) Weight(Non-diversion hole type)	Kg	-	-	-	-	-	-	230	286	840	1092	1484	1792	2140	2830	3295	3850	4320	4800
重量(有导流孔) Weight(Diversion hole type)	Kg	-	-	-	-	-	-	285	345	910	1176	1568	1946	2450	3015	3520	4210	4810	5400
电动Electric Driving	H	-	-	-	809	878	982	1098	1366	1577	1943	2058	2400	2630	2993	3147	3706	4265	
电动Electric Driving	H1	-	-	-	545	620	688	775	957	1108	1318	1453	1762	1963	2090	2168	2655	3150	
电动Electric Driving	W	-	-	-	305	305	305	305	305	305	457	457	610	610	610	760	760	760	
电动装置 Electric Driving Device					SMC	SMC	SMC	SMC	SMC	SMC	SMC	SMC	SMC	SMC	SMC	SMC	SMC	SMC	
重量(无导流孔) Weight(Non-diversion hole type)	Kg	-	-	-	-00	-00	-0	-0	-1	-1	-2	-2	-3	-4	-4	-5	-5	-5	
重量(有导流孔) Weight(Diversion hole type)	Kg	-	-	-	131	155	225	270	750	960	1270	1490	1910	2350	3010	3480	4012	4550	
重量(有导流孔) Weight(Diversion hole type)	Kg	-	-	-	135	161	240	290	800	1030	1360	1600	2059	2790	3285	3840	4350	4860	
无导流孔 Non-diversion hole type	H2	73	85	91	97	110	121	133	176	206	255	290	321	351	395	436	515	600	
有导流孔 Diversion hole type	H2	10	128	140	147	184	216	266	418	508	600	726	775	871	966	1060	1416	1770	

轻型平板闸阀 LIGHT-TYPE THROUGH CONDUIT GATE VALVE



主要外形尺寸 Main Size of outside

PN1.6、2.5MPa (Class150)

SIZE		L	H	H1	W	W ₁	N-M(GB) 1.6/2.5	N-M(JB) 1.6/2.5	N-M(API)	A × B	重量 weight(kg)
API	GB/JB										
4	100	127	712	257	250	-	8-M16/M20	8-M16/M20	8-M16	106 × 204	70
5	125	140	820	278	350	-	8-M16/M24	8-M16/M22	8-M20	120 × 228	100
6	150	140	894	339	350	-	8-M20/M24	8-M20/M22	8-M20	120 × 260	120
8	200	152	1074	432	450	310	12-M20/M24	12-M20/M22	8-M20	140 × 260	210
10	250	165	1277	498	450	310	12-M24/M27	12-M22/M27	12-M22	150 × 260	240
12	300	178	1505	570	550	460	12-M24/16-M27	12-M22/16-M27	12-M22	160 × 270	340
14	350	190	1705	640	650	460	16-M24/M30	16-M22/M30	12-M27	172 × 370	430
16	400	216	1835	710	650	460	16-M27/M33	16-M27/M30	16-M27	180 × 400	580
18	450	222	2037	800	750	460	20-M27/M33	20-M27/M30	16-M30	190 × 420	600
20	500	229	2265	877	750	460	20-M30/M33	20-M30/M36	20-M30	193 × 460	700
22	550	267	2500	960	-	610	●	●	20-M33	230 × 500	800
24	600	267	2730	1030	-	610	20-M33/M36	20-M36/M36	20-M33	230 × 540	980
26	650	292	3040	1110	-	610	●	●	24-M33	254 × 600	1200
28	700	292	3090	1190	-	610	24-M33/M39	24-M36/M42	28-M33	254 × 600	1380
30	750	318	3500	1260	-	813	●	●	28-M33	270 × 700	2240
32	800	318	3680	1340	-	813	24-M36/M45	24-M36/M42	28-M39	270 × 760	2600
34	850	330	4000	1420	-	813	●	●	32-M39	280 × 760	3090
36	900	330	4230	1490	-	813	28-M36/M45	28-M36/M48	32-M39	280 × 800	3500
38	950	410	4460	1570	-	813	●	●	32-M39	360 × 850	3970
40	1000	410	4700	1650	-	813	28-M39/M52	28-M42/M52	36-M39	360 × 900	4120
42	1050	410	4950	1730	-	813	●	●	36-M39	360 × 900	5035
48	1200	470	5670	1950	-	813	32-M45/M52	32-M48/M52	44-M39	420 × 1000	6380
54	1400	530	6580	2290	-	813	36-M45/M56	36-M48/M56	44-M45	480 × 1200	7200
60	1500	600	7100	2410	-	813	●	●	52-M45	540 × 1300	98000

平行式双闸板闸阀 PARALLEL DOUBLE-DISC GATE VALVE

产品结构特征 Products design features

系列平行式双闸板闸阀是一种结构新颖的闸阀产品，它具有有启闭力矩小、速度快、振动小、使用寿命长、操作安全可靠等特点，主要用于气、液体输送管道的切断或泄放。

系列平行式双闸板闸阀结构特点为：

- ★ 阀门采用两块互相平行的闸板及其楔紧装置组成的密封结构取代传统的楔形闸板结构。
- ★ 阀门密封机构各零件互相分离，即使在温度变化时引起变形也仍能保证密封，且不会因高温膨胀而使闸板挤住打不开。
- ★ 阀门密封采用耐磨、耐腐蚀材料制成，延长了阀门的使用寿命。
- ★ 在高温、高压情况下，进口一侧闸板设计为可泄压方式，防止由于温度变化而引起的腔内压力异常升高的现象，保证使用安全。
- ★ 全封闭结构，防护性能好，可全天候使用。

Parallel double-disc gate valve is a product with new structure, which has small open-and-close moment, high speed, little vibration, long performance life and reliable operation. It is mainly applied to cut-off or discharge of gas and liquid delivery pipelines.

The structural features include:

- ★ A sealing structure consists of two parallel shutters and a wedge-lightening device it is taken to replace the traditional wedged shaped gate valve structure;
- ★ The components of valve sealing mechanism are separated so the sealing can retain when transmuting caused by the temperature changes, and will not jam where swelling in high temperature;
- ★ The sealing surface of the valve adopts abrasion-resistant and anti-corrosive materials which can lengthen the performance life of the valve;
- ★ In high temperature or pressure, the disc on inlet side can be designed in pressure relief style which can avoid abnormal pressure rising in cavity caused by temperature changes, thus to ensure used safety.
- ★ The valve adopts full-shut structure which has good protection function and can be used in all weather.

产品规格 Products specification

系列型号 Serial models	W(K)Z44、W(K)Z554、W(K)Z644、W(K)Z744、W(K)Z944 W(K)Z64、W(K)Z564、W(K)Z664、W(K)Z764、W(K)Z964			
压力等级范围 Pressure grade range	PN1.6 ~ 10MPa		Class 150 ~ 600	
通径规格范围 Drift diameter specification range	DN50 ~ 1000mm		2" ~ 40"	
驱动方式及适用范围 Driving manner and scope of application	手轮驱动 Hand wheel driving		齿动、气动、液动、电动 Gear driving, air-operating, hydrodynamic driving and electric driving	
	Class150 ~ 300(PN1.6 ~ 4.0)	Class400(PN6.4)	Class600(PN10.0)	DN100 ~ 900mm 4" ~ 36"
	2" ~ 6"(DN50 ~ 150)	2" ~ 4"(DN50 ~ 100)	2" ~ 3"(DN50 ~ 80)	DN100 ~ 900mm 4" ~ 36"

注：本公司可根据用户要求提供产品
Notes: Our Company can provide products at customers' request.

产品性能规范 Products performance specification

压力等级 Pressure	公称压力 Nominal rating pressure (PN)						磅级 Pound grade(Class)				
	1.6	2.5	4.0	6.4	10.0	16.0	150	300	400	600	900
试验压力(MPa) Test pressure	壳体试验 Intensity test		1.5 × PN			1.5 × PN					
	密封试验 Sealing test		1.1 × PN			1.1 × PN					
适用温度 Applicable temperature	-196°C ~ 425°C (注：不同工况温度，选用不同的材质) -196°C ~ 425°C (different raw material for different work temperature)										
适用介质 Applicable Medium	普通型 Ordinary type		石油、天然气、成品油等 Petroleum, natural gas and finished oil								
	抗硫型 Antisulphur type		含H ₂ S、CO的天然气、石油等 Natural gas and petroleum with H ₂ S and CO								
试验压力(MPa) Test pressure	上密封试验 Back seal test		1.1 × PN			1.1 × PN					
	气密封试验 Air test		0.4~0.7MPa			0.4~0.7MPa					

注：PN为主体材料在38°C时允许的额定工作压力
Note: PN is requested pressure for the body material under the 38°C.



平行式双闸板闸阀 PARALLEL DOUBLE-DISC GATE VALVE W(K)Z(5、6、7、9)4(6)4H(Y、D)

技术规范 Technical specification

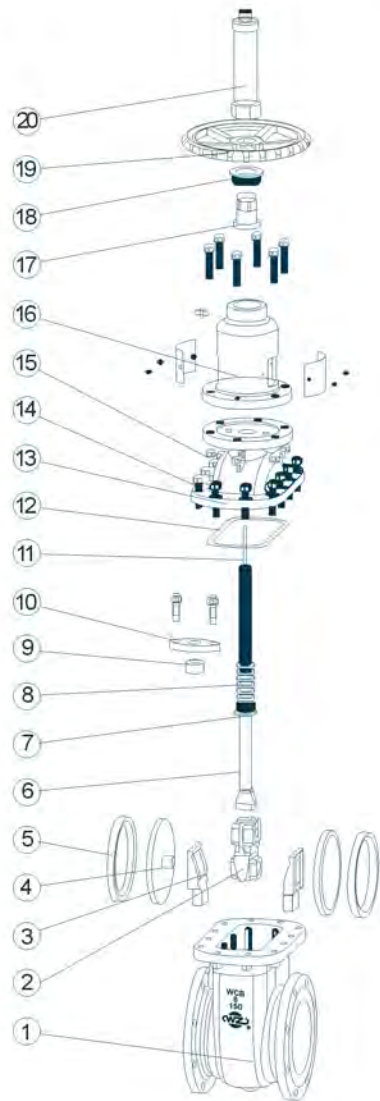
设计依据 Design reference	GB	API	ASME
设计标准 Design standard	JB/T 5298	API 6D	ASME B16.34
结构长度 Structural length	连接法兰 Flanged ends	GB/T 12221 JB/T 5298	API 6D ASME B16.10
	焊接 Welded connection	GB/T 15188.1	API 6D ASME B16.10
连接法兰 Flanged ends	GB/T 9113 JB/T 79 HG 20592	ASME B16.5、ASME B16.47	
对焊端 Butt-welding ends	GB/T 12224	ASME B16.25	
试验和检验 Test & inspection	JB/T 9092	API 6D	API 598

*注：系列阀门连接法兰及对焊端尺寸可根据用户要求设计制造。
Notes: Serial valve connecting flange and butt-welding terminal size can be designed at customers' request.

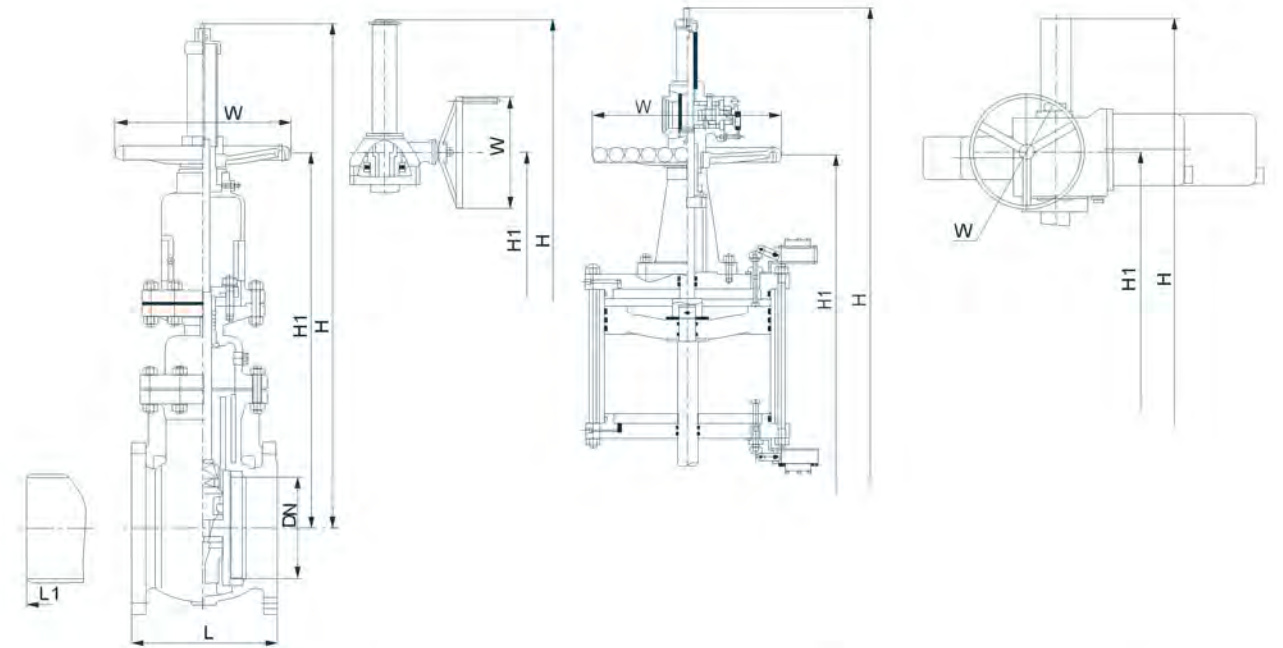
主要零件材质 Form of major parts materials

序号 No.	零件名称 Accessory name	材质 Material			
		普通型 Ordinary type		抗硫型 Antisulphur type	
		GB	ASTM	GB	ASTM
1	阀体 Body	WCB	A216-WCB	WCB	A216-WCB
2	闸板架 Disc frame	WCB	A216-WCB	WCB	A216-WCB
3	楔块 Wedge block	WCB+STL	A216-WCB+STL	WCB+STL	A216-WCB+STL
4	闸板 Disc	25+STL	A105+STL	1Cr18Ni9+STL	A276-304+STL
5	阀座 Seat	25+STL	A105+STL	1Cr18Ni9+STL	A276-304+STL
6	阀杆 Stem	2Cr13	A276-410	1Cr18Ni9	A276-304
7	上密封座 Back seat	1Cr13	A276-410	1Cr18Ni9	A276-304
8	填料 Packing	柔性石墨 Flexible Graphite			
9	填料压套 Gland	2Cr13	A276-420	2Cr13	A276-420
10	填料压盖 Gland fland	WCB	A276-WCB	WCB	A216-WCB
11	指示针 Indicating finger	1Cr13	A276-410	1Cr13	A276-410
12	垫片 Gasket	柔性石墨 + 不锈钢 Graphite+stainless steel			
13	阀盖 Bonnet	WCB	A216-WCB	WCB	A216-WCB
14	螺栓 Bolt	35CrMoA	A193-B7	35CrMoA	A193-B7
15	螺母 Nut	35	A194-2H	35	A194-2H
16	支架 Yoke	WCB	A216-WCB	WCB	A216-WCB
17	阀杆螺母 Stem nut	ZQA19-4	C95500	ZQA19-4	C95500
18	压盖 Gland	25	A105	25	A105
19	手轮 Hand wheel	QT400-17	A536-60-40-18	QT400-17	A536-60-40-18
20	指示罩 Indicating cover	25	A105	25	A105

*注：系列阀门主要零部件及密封面的材质可根据实际工况条件或用户特殊要求设计选用。
Notes: The major parts of the serial valves and materials of sealing surface can be designed and selected according to actual work condition or customers' specific requirement.



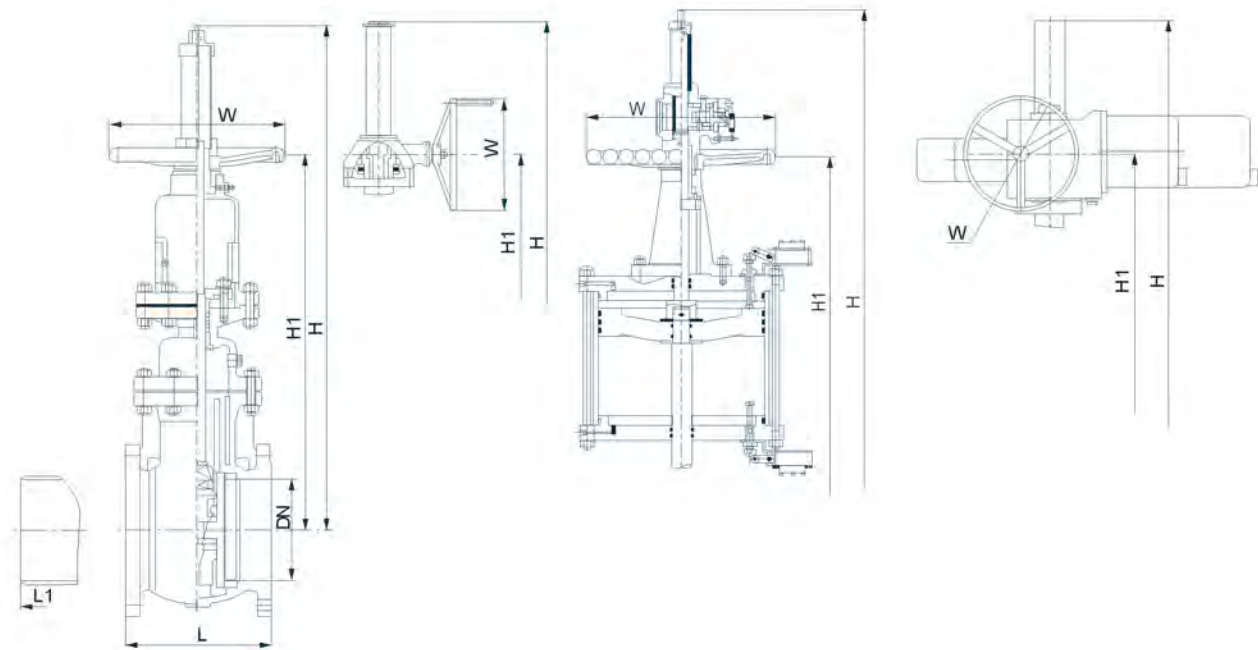
平行式双闸板闸阀 PARALLEL DOUBLE-DISC GATE VALVE W(K)Z(5、6、7、9)4(6)4H(Y、D)



主要外形尺寸 Main Size of outside

DN NPS	MM in	PN1.6、2.5MPa PN2.0MPa (Class150)															
		50 2	65 2½	80 3	100 4	150 6	200 8	250 10	300 12	350 14	400 16	450 18	500 20	600 24	700 28	800 32	900 36
法兰 Flange	L	178	190	203	229	267	292	330	356	381	406	432	457	508	610	660	813
对焊 Butt Welding	L1	216	241	283	305	403	419	457	502	572	610	660	711	813	914	965	1016
手动 Hand-Operated	H	475	535	600	700	910	1095	1370	1470	1730	1870	2185	2335	2815	-	-	-
手动 Hand-Operated	H1	360	425	460	535	685	815	965	1100	1250	1375	1485	1575	1995	-	-	-
手动 Hand-Operated	W	250	300	300	350	350	350	450	500	600	650	700	800	1000	-	-	-
重量 Weight	kg	27	46	52	62	128	163	280	381	551	668	1060	1310	2030	-	-	-
齿轮传动 Gear driving	H	-	-	-	-	-	1235	1510	1610	1890	2030	2415	2565	3045	-	-	-
齿轮传动 Gear driving	H1	-	-	-	-	-	900	1050	1185	1345	1470	1625	1715	2135	-	-	-
齿轮传动 Gear driving	W	-	-	-	-	-	305	305	305	458	458	458	458	458	-	-	-
齿动装置 Gear device		-	-	-	-	-	BA-0	BA-0	BA-0	BA-1	BA-1	BA-2	BA-2	BA-2	-	-	-
重量 Weight	kg	-	-	-	-	-	195	310	420	585	705	1050	1350	2010	-	-	-
气动 液动 Air-operating and Fluid driving	H	-	-	1075	1240	1400	1595	1800	2090	2420	2615	2895	3160	3885	4065	-	-
气动 液动 Air-operating and Fluid driving	H1	-	-	820	945	1065	1210	1370	1590	1845	1995	2205	2405	2955	3090	-	-
气动 液动 Air-operating and Fluid driving	W	-	-	250	250	300	300	350	350	350	400	500	600	650	700	-	-
重量 Weight	kg	-	-	70	81	172	226	392	530	760	925	1480	1835	28110	4435	-	-
电动 Electric Driving	H	690	747	812	960	1170	1355	1630	1730	2020	2160	2500	2650	3130	3630	4135	4605
电动 Electric Driving	H1	572	637	672	795	945	1075	1095	1230	1417	1532	1651	1741	2161	2470	2933	3260
电动 Electric Driving	W	200	200	200	508	508	508	305	305	305	305	305	305	457	457	610	610
电动装置 Electric Driving Device		SMC	SMC	SMC	SMC	SMC	SMC	SMC	SMC	SMC	SMC	SMC	SMC	SMC	SMC	SMC	SMC
重量 Weight	kg	-04	-04	-04	-03	-03	-03	-00	-00	-00	-00	-00	-00	-1	-1	-2	-2
重量 Weight	kg	50	62	71	102	165	230	348	441	650	768	1240	1563	2295	3445	4610	6021

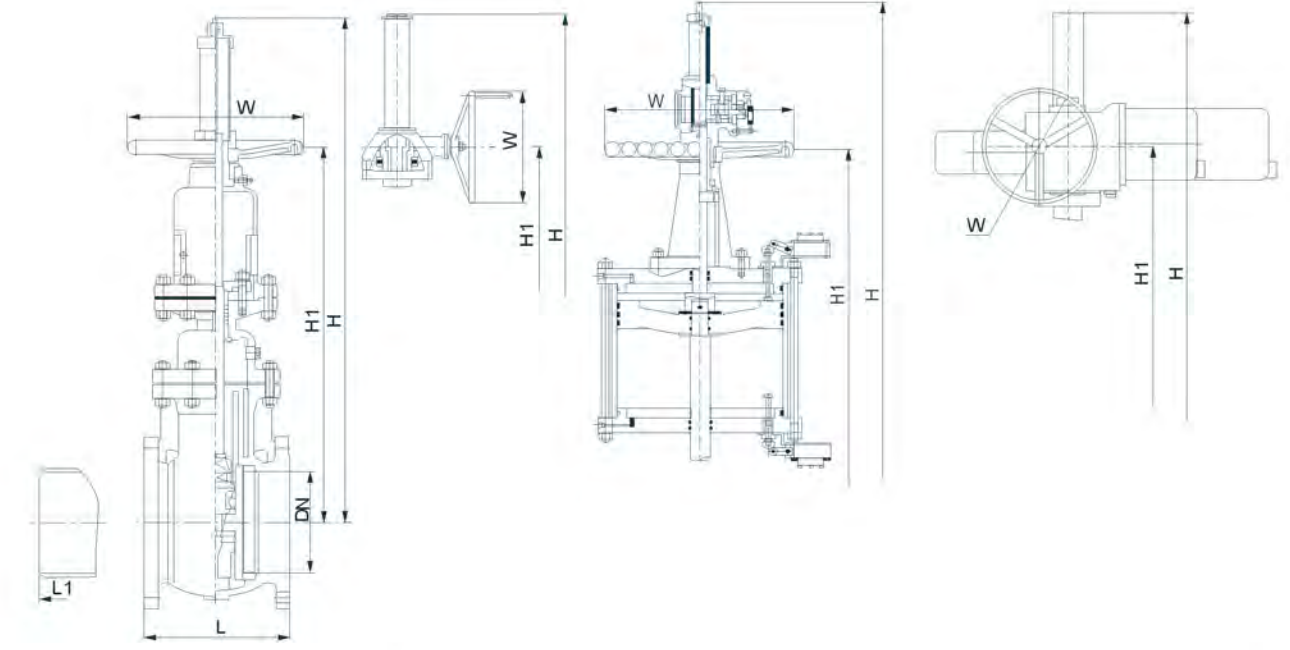
平行式双闸板闸阀
PARALLEL DOUBLE-DISC GATE VALVE
W(K)Z(5、6、7、9)4(6)4H(Y、D)



主要外形尺寸Main Size of outside PN4.0MPa PN5.0MPa (Class300)

DN	MM	50	65	80	100	150	200	250	300	350	400	450	500	600	700	800	900
NPS	in	2	2½	3	4	6	8	10	12	14	16	18	20	24	28	32	36
法兰Flange	L	216	241	283	305	403	419	457	502	762	838	914	991	1143	1346	1524	1727
对焊Butt Welding	L1	216	241	283	305	403	419	457	502	762	838	914	991	1143	1346	1524	1727
手动Hand-Operated	H	475	535	600	700	910	1095	1370	1470	1730	1870	2185	2335	2815	-	-	-
手动Hand-Operated	H1	360	425	460	535	685	815	965	1100	1250	1375	1485	1575	1995	-	-	-
手动Hand-Operated	W	250	300	300	350	350	350	450	500	600	650	700	800	1000	-	-	-
重量Weight	kg	40	60	72	79	178	340	445	675	850	1375	1590	1985	3100	-	-	-
齿轮传动Gear driving	H	-	-	-	-	-	1235	1510	1610	1890	2030	2415	2565	3045	-	-	-
齿轮传动Gear driving	H1	-	-	-	-	-	900	1050	1185	1345	1470	1625	1715	2135	-	-	-
齿轮传动Gear driving	W	-	-	-	-	-	305	305	305	458	458	458	458	458	-	-	-
齿动装置Gear device		-	-	-	-	-	BA-0	BA-0	BA-0	BA-1	BA-1	BA-2	BA-2	BA-2	-	-	-
重量Weight	kg	-	-	-	-	-	370	490	715	915	1480	1720	2195	3355	-	-	-
气动液动 Air-operating and Fluid driving	H	-	-	1075	1240	1400	1595	1800	2090	2420	2615	2895	3160	3885	4065	-	-
气动液动 Air-operating and Fluid driving	H1	-	-	820	945	1065	1210	1370	1590	1845	1995	2205	2405	2955	3090	-	-
气动液动 Air-operating and Fluid driving	W	-	-	250	250	300	300	350	350	350	400	500	600	650	700	-	-
重量Weight	kg	-	-	100	110	245	470	620	945	1240	1985	2310	2935	4520	5320	-	-
电动Electric Driving	H	690	747	860	960	1170	1355	1630	1760	2020	2185	2500	2695	3175	3670	4136	4673
电动Electric Driving	H1	572	637	720	795	945	945	1095	1257	1407	1541	1651	1757	2177	2606	2933	3317
电动Electric Driving	W	200	200	508	508	508	305	305	305	305	305	305	457	457	610	610	610
电动装置 Electric Driving Device		SMC	SMC	SMC	SMC	SMC	SMC	SMC	SMC	SMC	SMC	SMC	SMC	SMC	SMC	SMC	SMC
		-04	-04	-03	-03	-03	-00	-00	-0	-0	-1	-1	-2	-2	-3	-3	-4
重量Weight	kg	80	92	110	130	243	400	540	810	1010	1483	1815	2310	2535	4735	6243	7647

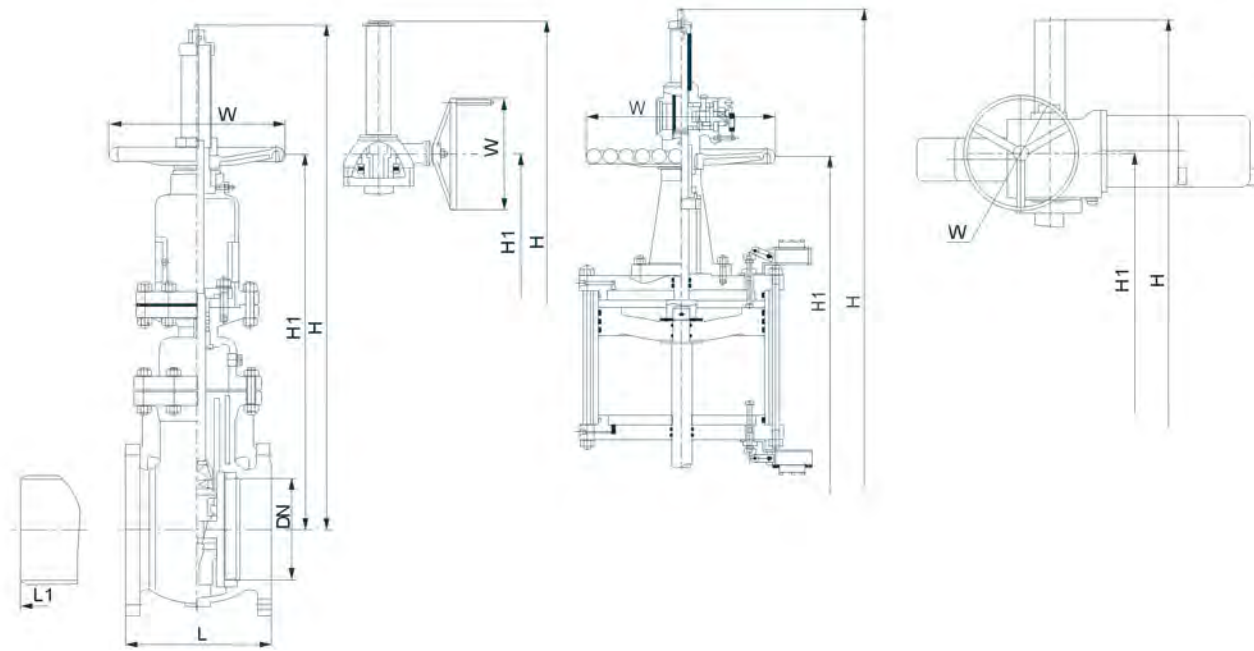
平行式双闸板闸阀
PARALLEL DOUBLE-DISC GATE VALVE
W(K)Z(5、6、7、9)4(6)4H(Y、D)



主要外形尺寸Main Size of outside PN6.4MPa

DN	MM	50	65	80	100	150	200	250	300	350	400	450	500	600	700	800	900
NPS	in	2	2½	3	4	6	8	10	12	14	16	18	20	24	28	32	36
法兰Flange	L	250	280	310	350	450	550	650	750	850	950	1050	1150	1350	1450	1650	1880
对焊Butt Welding	L1	292	330	356	406	495	597	673	762	826	902	978	1054	1232	1397	1651	1880
手动Hand-Operated	H	499	562	630	735	956	1150	1439	1545	1817	1965	2295	2452	-	-	-	-
手动Hand-Operated	H1	378	446	483	562	720	856	1013	1155	1313	1445	1560	1655	-	-	-	-
手动Hand-Operated	W	250	300	300	350	350	400	500	600	650	700	800	1000	-	-	-	-
重量Weight	kg	58	76	89	102	210	370	521	815	1010	1515	1810	2300	-	-	-	-
齿轮传动Gear driving	H	-	-	-	-	1096	1290	1580	1705	1977	2125	2525	2682	3186	-	-	-
齿轮传动Gear driving	H1	-	-	-	-	805	941	1098	1250	1408	1540	1700	1795	2235	-	-	-
齿轮传动Gear driving	W	-	-	-	-	305	305	305	458	458	458	458	458	458	-	-	-
齿动装置Gear device		-	-	-	-	BA-0	BA-0	BA-0	BA-1	BA-1	BA-1	BA-2	BA-2	BA-2	-	-	-
重量Weight	kg	-	-	-	-	250	415	560	854	1285	1794	2115	2574	4132	-	-	-
气动液动 Air-operating and Fluid driving	H	-	-	1130	1302	1470	1675	1890	2195	2542	2746	3040	3318	4080	4268	-	-
气动液动 Air-operating and Fluid driving	H1	-	-	861	992	1118	1271	1440	1670	1937	2095	2315	2525	3103	3245	-	-
气动液动 Air-operating and Fluid driving	W	-	-	250	250	300	300	350	350	350	400	500	600	650	700	-	-
重量Weight	kg	-	-	240	295	390	485	634	958	1305	2038	2367	2965	4572	5425	-	-
电动Electric Driving	H	723	785	902	1007	1216	1440	1728	1833	2131	2278	2655	2812	3356	3902	4393	4863
电动Electric Driving	H1	601	670	756	838	848	1013	1170	1312	1480	1610	1741	1836	2413	2777	3121	3428
电动Electric Driving	W	200	200	508	508	305	305	305	305	305	305	457	610	610	610	610	760
电动装置 Electric Driving Device		SMC	SMC	SMC	SMC	SMC	SMC	SMC	SMC	SMC	SMC	SMC	SMC	SMC	SMC	SMC	SMC
		-04	-04	-03	-03	-00	-0	-0	-0	-1	-1	-2	-3	-3	-4	-4	-5
重量Weight	kg	100	122	136	150	310	485	665	940	1350	1900	2215	2574	4437	5268	6590	7695

平行式双闸板闸阀
PARALLEL DOUBLE-DISC GATE VALVE
W(K)Z(5、6、7、9)4(6)4H(Y、D)

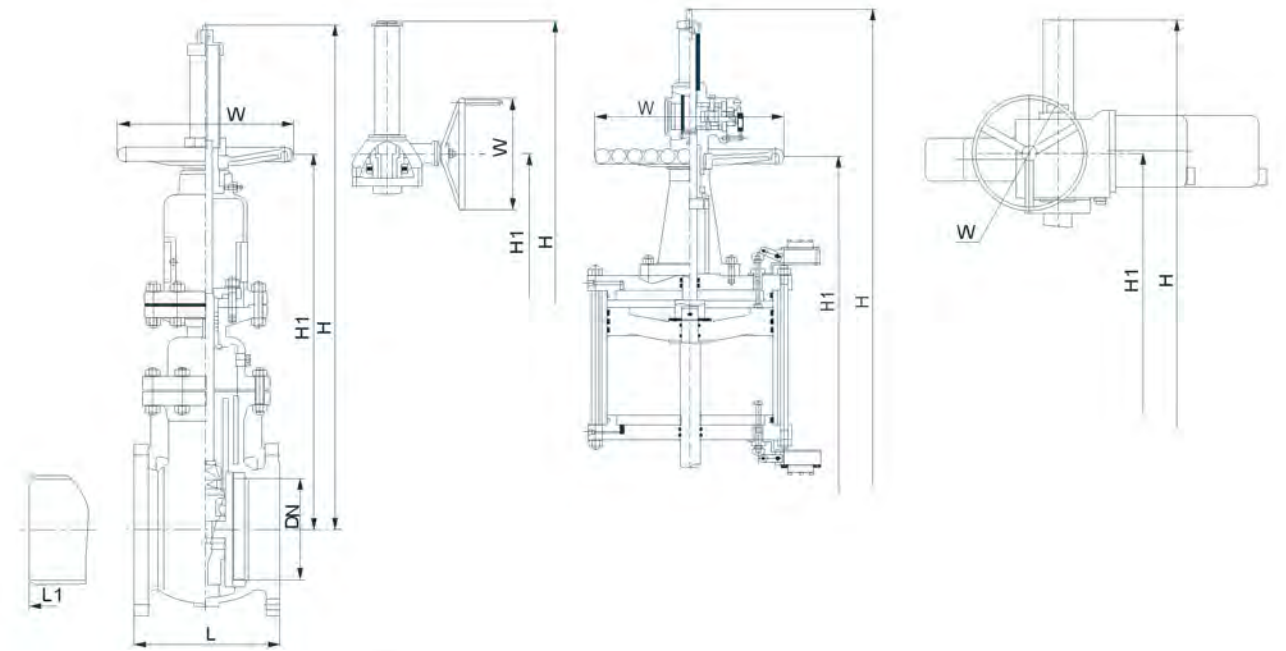


主要外形尺寸Main Size of outside

Class400

DN	MM	50	65	80	100	150	200	250	300	350	400	450	500	600	700	800	900
NPS	in	2	2½	3	4	6	8	10	12	14	16	18	20	24	28	32	36
法兰Flange	L	292	330	356	406	495	597	673	762	826	902	978	1054	1232	1397	1650	1880
对焊Butt Welding	L1	292	330	356	406	495	597	673	762	826	902	978	1054	1232	1397	1650	1880
手动Hand-Operated	H	499	562	630	735	956	1150	1439	1545	1817	1965	2295	2452	-	-	-	-
手动Hand-Operated	H1	378	446	483	562	720	856	1013	1155	1313	1445	1560	1655	-	-	-	-
手动Hand-Operated	W	250	300	300	350	350	400	500	600	650	700	800	1000	-	-	-	-
重量Weight	kg	58	76	89	102	210	370	521	815	1010	1515	1810	2300	-	-	-	-
齿轮传动Gear driving	H	-	-	-	-	1096	1290	1580	1705	1977	2125	2525	2682	3186	-	-	-
齿轮传动Gear driving	H1	-	-	-	-	805	941	1098	1250	1408	1540	1700	1795	2235	-	-	-
齿轮传动Gear driving	W	-	-	-	-	305	305	305	458	458	458	458	458	458	-	-	-
齿动装置Gear device		-	-	-	-	BA-0	BA-0	BA-0	BA-1	BA-1	BA-1	BA-2	BA-2	BA-2	-	-	-
重量Weight	kg	-	-	-	-	250	415	560	854	1285	1794	2115	2574	4132	-	-	-
气动液动 Air-operating and Fluid driving	H	-	-	1130	1302	1470	1675	1890	2195	2542	2746	3040	3318	4080	4268	-	-
气动液动 Air-operating and Fluid driving	H1	-	-	861	992	1118	1271	1440	1670	1937	2095	2315	2525	3103	3245	-	-
气动液动 Air-operating and Fluid driving	W	-	-	250	250	300	300	350	350	350	400	500	600	650	700	-	-
重量Weight	kg	-	-	240	295	390	485	634	958	1305	2038	2367	2965	4572	5425	-	-
电动Electric Driving	H	723	785	902	1007	1216	1440	1728	1833	2131	2278	2655	2812	3356	3902	4393	4863
电动Electric Driving	H1	601	670	756	838	848	1013	1170	1312	1480	1610	1741	1836	2413	2777	3121	3428
电动Electric Driving	W	200	200	508	508	305	305	305	305	305	305	457	610	610	610	610	760
电动装置 Electric Driving Device		SMC	SMC	SMC	SMC	SMC	SMC	SMC	SMC	SMC	SMC	SMC	SMC	SMC	SMC	SMC	SMC
		-04	-04	-03	-03	-00	-0	-0	-0	-1	-1	-2	-3	-3	-4	-4	-5
重量Weight	kg	100	122	136	150	310	485	665	940	1350	1900	2215	2574	4437	5268	6590	7695

平行式双闸板闸阀
PARALLEL DOUBLE-DISC GATE VALVE
W(K)Z(5、6、7、9)4(6)4H(Y、D)

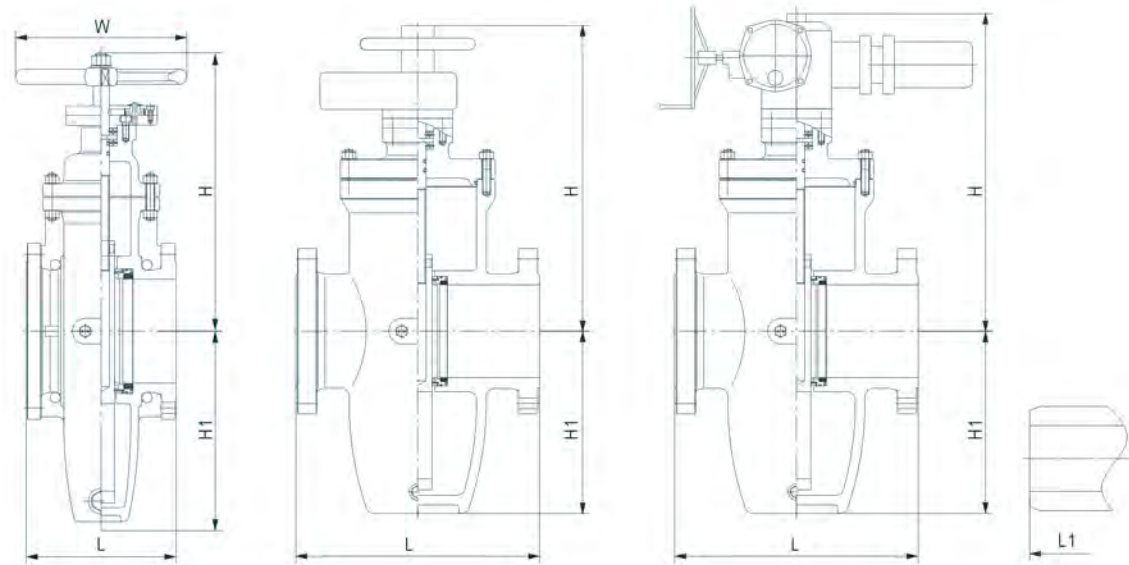


主要外形尺寸Main Size of outside

PN10.0MPa (Class 600)

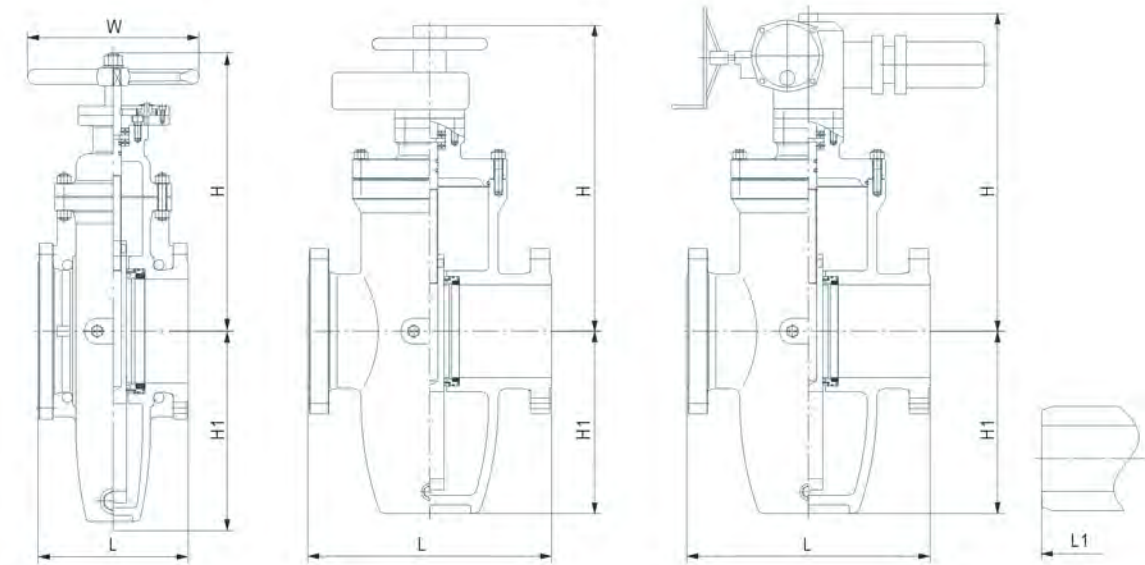
DN	MM	50	65	80	100	150	200	250	300	350	400	450	500	600	700	800
NPS	in	2	2½	3	4	6	8	10	12	14	16	18	20	24	28	32
法兰Flange	L	292	330	356	432	559	660	787	838	889	991	1092	1194	1397	1549	1778
对焊Butt Welding	L1	292	330	356	432	559	660	787	838	889	991	1092	1194	1397	1549	1778
手动Hand-Operated	H	499	562	630	735	956	1150	1439	1545	1817	1965	-	-	-	-	-
手动Hand-Operated	H1	378	446	483	562	720	856	1013	1155	1313	1445	-	-	-	-	-
手动Hand-Operated	W	300	350	350	400	500	600	650	700	800	1000	-	-	-	-	-
重量Weight	kg	62	90	105	125	298	520	600	846	1025	1560	-	-	-	-	-
齿轮传动Gear driving	H	-	-	-	-	1096	1290	1580	1705	1977	2125	2525	2682	-	-	-
齿轮传动Gear driving	H1	-	-	-	-	805	941	1098	1250	1408	1540	1700	1795	-	-	-
齿轮传动Gear driving	W	-	-	-	-	305	305	458	458	458	458	458	458	-	-	-
齿动装置Gear device		-	-	-	-	BA-0	BA-0	BA-1	BA-1	BA-1	BA-2	BA-2	BA-2	-	-	-
重量Weight	kg	-	-	-	-	340	465	700	1215	1920	2435	2928	2570	-	-	-
气动液动 Air-operating and Fluid driving	H	-	-	1130	1302	1470	1675	1890	2195	2542	2746	3040	3318	4080	4268	-
气动液动 Air-operating and Fluid driving	H1	-	-	861	992	1118	1271	1440	1670	1937	2095	2315	2525	3103	3245	-
气动液动 Air-operating and Fluid driving	W	-	-	250	250	300	300	350	350	350	400	500	600	650	700	-
重量Weight	kg	-	-	250	295	426	520	655	985	1396	2215	2600	3015	4645	5570	-
电动Electric Driving	H	723	821	890	995	1245	1440	1753	1858	2177	2365	2695	2922	3426	3983	4485
电动Electric Driving	H1	600	705	742	690	876	1013	1199	1321	1495	1762	1877	2030	2470	2835	3186
电动Electric Driving	W	200	508	508	305	305	305	305	305	457	610	610	610	610	760	760
电动装置 Electric Driving Device		SMC	SMC	SMC	SMC	SMC	SMC	SMC	SMC	SMC	SMC	SMC	SMC	SMC	SMC	SMC
		-04	-03	-03	-00	-0	-0	-1	-1	-2	-3	-3	-4	-4	-5	-5
重量Weight	kg	105	130	150	204	410	560	755	1334	2005	2245	2930	2615	4595	5580	6810

燃气平板闸阀
GAS THROUGH-CONDUIT GATE VALVE
(K)Z4(5、9B)4(6)7F



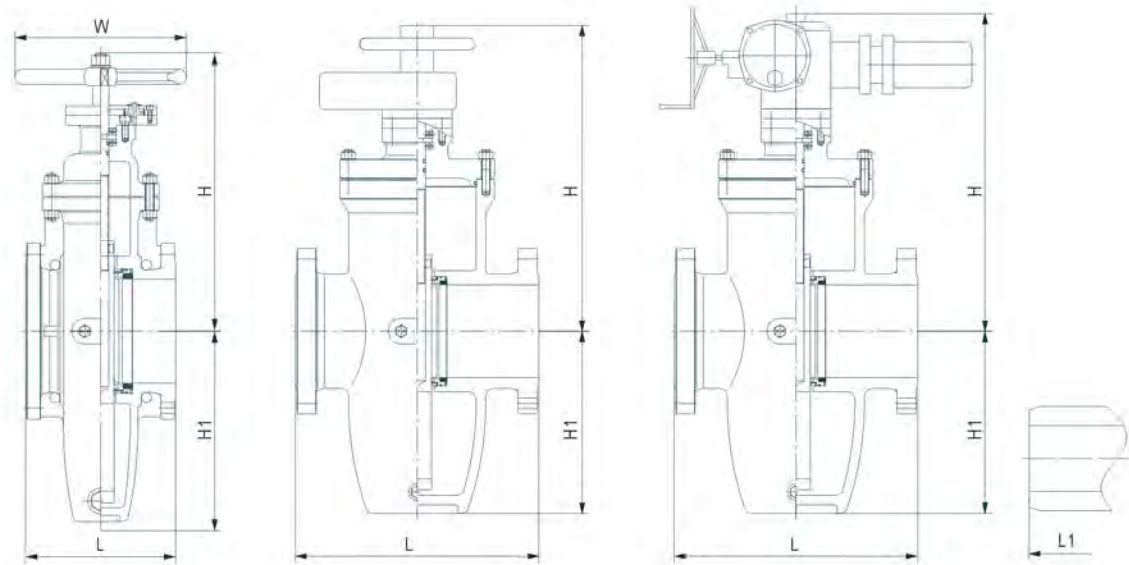
主要外形尺寸Main Size of outside														PN2.0MPa(Class150)	
DN (mm)	NPS (in)	法兰 Flange L	对焊 Butt Welding L1	手动Hand-Operated			齿轮传动Gear Driving			齿 轮 装 置 Gear Device	电动Electric Driving			电 动 装 置 Electric Driving Device	
				H1	H	W	H1	H	W		H1	H	W		
25	1	165	-	85	228	180	-	-	-	-	-	-	-	-	
32	1 1/4	165	-	103	231	180	-	-	-	-	-	-	-	-	
40	1 1/2	178	-	115	240	250	-	-	-	-	-	-	-	-	
50	2	178	216	130	255	250	-	-	-	-	-	-	-	-	
65	2 1/2	190	241	160	355	300	-	-	-	-	-	-	-	-	
80	3	203	283	180	360	300	-	-	-	-	-	-	-	-	
100	4	229	305	214	400	300	-	-	-	-	-	-	-	-	
125	5	254	381	257	460	350	-	-	-	-	-	-	-	-	
150	6	267	403	300	500	350	-	-	-	-	-	-	-	-	
200	8	292	419	388	570	350	-	-	-	-	-	-	-	-	
250	10	330	457	475	680	400	475	700	350	0型	475	710	500	SMC-03	
300	12	356	502	547	750	450	547	870	350	0型	547	880	305	SMC-00	
350	14	381	572	625	875	450	625	995	450	1型	625	1015	305	SMC-00	
400	16	406	610	712	1000	500	712	1120	450	1型	712	1130	305	SMC-00	
450	18	432	660	785	1130	500	785	1280	450	1型	785	1360	305	SMC-0	
500	20	457	711	880	1200	600	880	1350	500	1型	880	1430	305	SMC-0	
600	24	508	813	1045	1420	800	1045	1570	500	2型	1045	1650	305	SMC-1	
700	28	610	914	1190	1650	800	1190	1800	500	2型	1190	1910	305	SMC-1	
800	32	660	914	1360	1880	1000	1360	2040	500	2型	1360	2140	305	SMC-1	
900	36	771	1016	1510	2100	1000	1510	2280	600	3型	1510	2390	458	SMC-2	
1000	40	811	-	1715	2300	1200	1715	2480	600	3型	1715	2590	458	SMC-2	

燃气平板闸阀
GAS THROUGH-CONDUIT GATE VALVE
(K)Z4(5、9B)4(6)7F



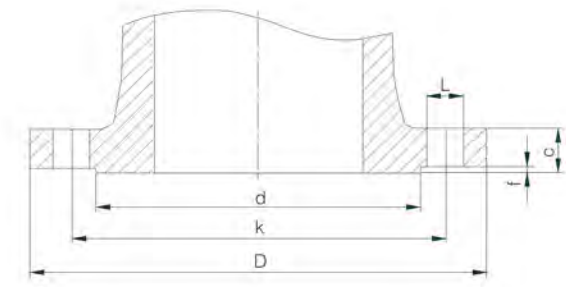
主要外形尺寸Main Size of outside														PN4.0MPa		PN5.0MPa(Class300)	
DN (mm)	NPS (in)	法兰 Flange L	对焊 Butt Welding L1	手动Hand-Operated			齿轮传动Gear Driving			齿 轮 装 置 Gear Device	电动Electric Driving			电 动 装 置 Electric Driving Device			
				H1	H	W	H1	H	W		H1	H	W				
25	1	165	165	85	238	180	-	-	-	-	-	-	-	-			
32	1 1/4	178	178	103	238	180	-	-	-	-	-	-	-	-			
40	1 1/2	190	190	115	245	250	-	-	-	-	-	-	-	-			
50	2	216	216	130	265	250	-	-	-	-	-	-	-	-			
65	2 1/2	241	241	160	365	300	-	-	-	-	-	-	-	-			
80	3	283	283	180	375	300	-	-	-	-	-	-	-	-			
100	4	305	305	214	420	300	-	-	-	-	-	-	-	-			
125	5	381	381	257	480	350	-	-	-	-	-	-	-	-			
150	6	403	403	300	520	350	-	-	-	-	-	-	-	-			
200	8	419	419	388	590	350	388	710	350	0型	388	720	305	SMC-00			
250	10	457	457	475	700	400	475	820	350	0型	475	830	305	SMC-00			
300	12	502	502	547	780	450	547	900	450	1型	547	910	305	SMC-0			
350	14	572	762	625	895	450	625	1015	450	1型	625	1095	305	SMC-0			
400	16	610	838	712	1020	550	712	1150	450	1型	712	1230	305	SMC-0			
450	18	660	914	785	1150	700	785	1300	500	2型	785	1400	305	SMC-1			
500	20	711	991	880	1220	800	880	1370	500	2型	880	1470	305	SMC-1			
600	24	787	1143	1045	1440	1000	1045	1620	600	3型	1045	1730	305	SMC-1			

燃气平板闸阀
GAS THROUGH-CONDUIT GATE VALVE
 (K)Z4(5、9B)4(6)7F



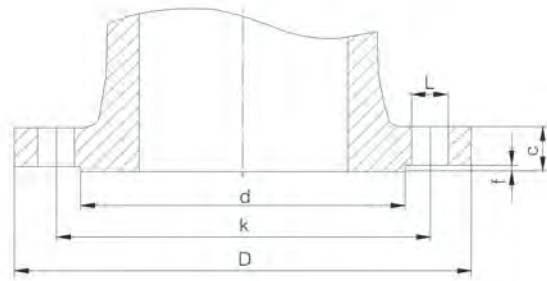
主要外形尺寸 Main Size of outside													PN6.4MPa(Class400)			
DN (mm)	NPS (in)	法兰 Flange L	对焊 Butt Welding L1	手动 Hand-Operated			齿轮传动 Gear Driving			齿动装置 Gear Device	电动 Electric Driving			电动装置 Electric Driving Device		
				H1	H	W	H1	H	W		H1	H	W			
50	2	216	250	158	265	300	-	-	-	-	-	-	-	-		
65	2 1/2	241	280	190	365	300	-	-	-	-	-	-	-	-		
80	3	283	310	225	375	350	-	-	-	-	-	-	-	-		
100	4	305	350	255	420	350	-	-	-	-	-	-	-	-		
125	5	381	400	275	480	400	-	-	-	-	-	-	-	-		
150	6	403	450	330	520	400	-	-	-	-	-	-	-	-		
200	8	419	550	410	590	500	388	710	350	0型	388	720	305	SMC-0		
250	10	457	650	490	700	500	475	820	350	0型	475	830	305	SMC-0		
300	12	502	750	570	780	600	547	900	450	1型	547	910	305	SMC-0		
350	14	762	850	625	910	600	625	1015	450	1型	625	1095	305	SMC-1		
400	16	838	950	735	1020	700	712	1150	450	1型	712	1230	305	SMC-1		

凸面整体钢制管法兰
RAISED FACE INTEGRAL STEEL PIPE FLANGE



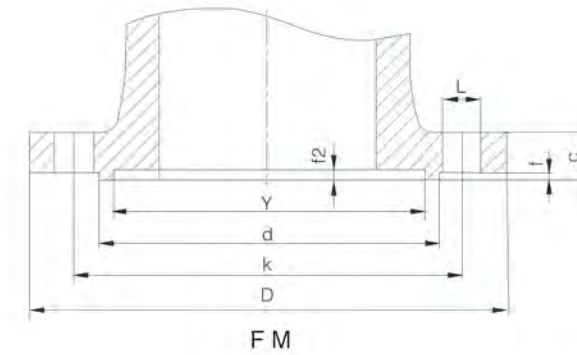
公称 通径 DN Nominal size	连接尺寸 Size ends					密封面尺寸 Sealing size		法兰 厚度 C Thickness of flange	法兰颈 Welding neck		
	法兰外径 系列1/系列2 Outside diameter of flange series1/series2	螺栓孔中心 圆直径 K Diameter of bolt Circle	螺栓孔直径 系列1/系列2 Diameter of bolt holes series1/ series2	螺栓 Bolt 数量 n Number of bolts		d	f		Nmax	Smax	R
	螺纹 Th. 系列1/系列2 Thread series1/ series2										
15	95	65	14	4	M12	45	2	14	39	12	4
20	105	75	14	4	M12	55	2	14	44	12	4
25	115	85	14	4	M12	65	2	14	49	12	4
32	140/135	100	18	4	M16	78	2	16	56	12	4
40	150/145	110	18	4	M16	85	3	16	64	12	4
50	165/160	125	18	4	M16	100	3	16	74	12	5
65	185/180	145	18	4	M16	120	3	18	95	15	5
80	200/195	160	18	8	M16	135	3	20	110	15	5
100	220/215	180	18	8	M16	155	3	20	130	15	5
125	250/245	210	18	8	M16	185	3	22	161	18	6
150	285/280	240	23	8	M20	210	3	24	186	18	6
(175)	310	270	23	8	M20	240	3	26	215	20	6
200	340/335	295	23	12	M20	265	3	26	240	20	6
(225)	365	325	23	12	M20	295	3	26	269	22	6
250	405	355	26/25	12	M24/M22	320	3	30	298	24	8
300	460	410	26/25	12	M24/M22	375	4	30	348	24	8
350	520	470	26/25	16	M24/M22	435	4	34	402	26	8
400	580	525	30	16	M27	485	4	36	456	28	10
450	640	585	30	20	M27	545	4	40	510	30	10
500	715/705	650	34	20	M30	608	4	44	564	32	10
600	840	770	36/41	20	M33/M36	718	5	48	672	36	10
700	910	840	36/41	24	M33/M36	788	5	50	776	38	12
800	1025/1020	950	41	24	M36	898	5	52	880	40	12
900	1125/1120	1050	41	28	M36	998	5	54	984	42	12
1000	1255	1170	42/48	28	M39/M42	1110	5	56	1084	42	12
1200	1485	1390	48/54	32	M45/M48	1325	5	58	1288	44	15
1400	1685	1590	48/54	36	M45/M48	1525	5	60	1492	46	15
1600	1930	1820	58	40	M52	1750	5	68	1704	52	15

凸面整体钢制管法兰 RAISED FACE INTEGRAL STEEL PIPE FLANGE



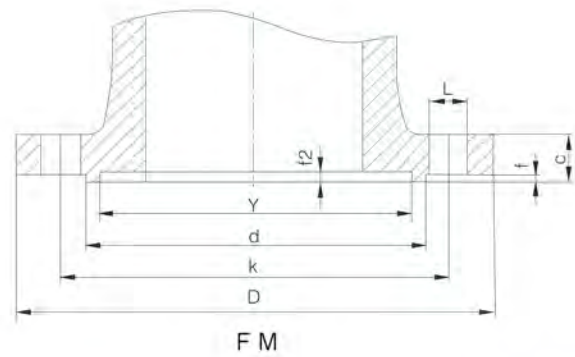
公称 口径 DN Nominal size	连接尺寸 Size ends					密封面尺寸 Sealing size		法兰 厚度 C Thickness of flange	法兰颈 Welding neck		
	法兰外径D 系列1/系列2 Outside diameter of flange series1/series2	螺栓孔中心 圆直径K Diameter of bolt Circle	螺栓孔直径L 系列1/系列2 Diameter of bolt holes series1/ series2	螺栓 Bolt		d	f		N _{max}	S _{max}	R
				数量n Number of bolts	螺纹Th. 系列1/系列2 Thread series1/ series2						
15	95	65	14	4	M12	45	2	16	39	12	4
20	105	75	14	4	M12	55	2	16	44	12	5
25	115	85	14	4	M12	65	2	16	49	12	5
32	140/135	100	18	4	M16	78	2	18	62	15	5
40	150/145	110	18	4	M16	85	3	18	70	15	5
50	165/160	125	18	4	M16	100	3	20	80	15	5
65	185/180	145	18	8	M16	120	3	22	101	18	6
80	200/195	160	18	8	M16	135	3	22	116	18	6
100	230	190	23	8	M20	160	3	24	136	18	6
125	270	220	26/25	8	M24/M22	188	3	28	169	22	8
150	300	250	26/25	8	M24/M22	218	3	30	198	24	8
(175)	330	280	26/25	12	M24/M22	248	3	32	223	24	8
200	360	310	26/25	12	M24/M22	278	3	34	252	26	8
(225)	395	340	30	12	M27	302	3	36	281	28	8
250	425	370	30	12	M27	332	3	36	306	28	10
300	485	430	30	16	M27	390	4	40	360	30	10
350	555/550	490	34	16	M30	448	4	44	418	34	10
400	620/610	550	36/34	16	M33/M30	505	4	48	472	36	10
450	670/660	600	36/34	20	M33/M30	555	4	50	522	38	12
500	730	660	36/41	20	M33/M36	610	4	52	580	40	12
600	845/840	770	41	20	M36	718	5	56	684	42	12
700	960/955	875	42/48	24	M39/M42	815	5	60	792	46	12
800	1085/1070	990	48	24	M45/M42	930	5	64	896	48	15
900	1185/1180	1090	48/54	28	M45/M48	1025	5	66	1000	50	15
1000	1320/1305	1210	58	28	M52	1140	5	68	1104	52	18
1200	1520/1525	1420	58	32	M52	1350	5	72	1308	54	18
1400	1755/1750	1640	65	36	M56	1560	5	78	1516	58	18

凹凸面整体铸钢管法兰 MALE-FEMALE FACE INTEGRAL STEEL PIPE FLANGE



公称 口径 DN Nominal size	连接尺寸 Size ends					密封面尺寸 Sealing size				法兰 厚度 C Thickness of flange	法兰颈 Welding neck			
	法兰外径D 系列1/系列2 Outside diameter of flange series1/ series2	螺栓孔中心 圆直径K Diameter of bolt Circle	螺栓孔直径L 系列1/系列2 Diameter of bolt holes series1/ series2	螺栓 Bolt		d	X 系列1/ 系列2 Series1/ Series2	Y 系列1/ 系列2 Series1/ Series2	f		f1, f2	N _{max}	S _{max}	R
				数量n Number of bolts	螺纹Th. 系列1/系列2 Thread series1/ series2									
15	95	65	14	4	M12	45	39	40	2	4	16	39	12	4
20	105	75	14	4	M12	55	50	51	2	4	16	44	12	5
25	115	85	14	4	M12	65	57	58	2	4	16	49	12	5
32	140/135	100	18	4	M16	78	65	66	2	4	18	62	15	5
40	150/145	110	18	4	M16	85	75	76	3	4	18	70	15	5
50	165/160	125	18	4	M16	100	87	88	3	4	20	80	15	5
65	185/180	145	18	8	M16	120	109	110	3	4	22	101	18	6
80	200/195	160	18	8	M16	135	120	121	3	4	22	116	18	6
100	235/230	190	23	8	M20	160	149	150	3	4.5	24	140	20	6
125	270	220	26/25	8	M24	188	175	176	3	4.5	28	169	22	8
150	300	250	26/25	8	M24/M22	218	203	204	3	4.5	30	198	24	8
(175)	350	295	30	12	M27	258	233	234	3	4.5	34	231	28	10
200	375	320	30	12	M27	282	259	260	3	4.5	38	256	28	10
(225)	415	355	34	12	M30	315	286	287	3	4.5	40	285	30	10
250	450/445	385	34	12	M30	345	312	313	3	4.5	42	314	32	10
300	515/510	450	34	16	M30	408	363	364	4	4.5	46	368	34	12
350	580/570	510	36/34	16	M33/M30	465	421	422	4	5	52	430	40	12
400	660/655	585	41	16	M36	535	473	474	4	5	58	488	44	12
450	685/680	610	41	20	M36	560	523	524	4	5	60	542	46	14
500	755	670	42/48	20	M39/M42	612	575	576	4	5	62	592	46	15
600	890	795	48/54	20	M45/M48	730	675/677	676/678	5	6	62	696	48	15
700	995	900	48/54	24	M45/M48	835	777/767	778/768	5	6	68	804	52	18
800	1140/1135	1030	58	24	M52	960	882/875	883/876	5	6	76	920	60	18

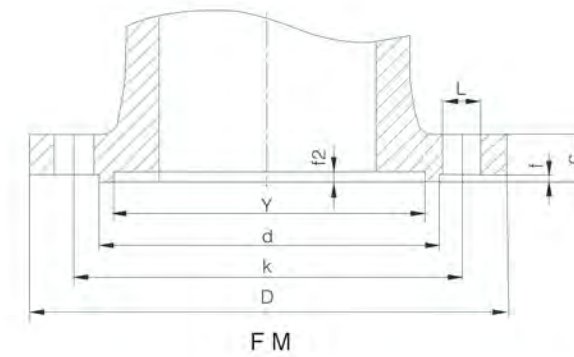
凹凸面整体铸钢管法兰 MALE-FEMALE FACE INTEGRAL STEEL PIPE FLANGE



JB/T 79.2-94 PN6.3MPa

公称 口径 DN Nominal size	连接尺寸 Size ends					密封面尺寸 Sealing size					法兰 厚度 C Thickness of flange	法兰颈 Welding neck		
	法兰外径D 系列1/系列2 Outside diameter of flange series1/ series2	螺栓孔中心 圆直径K Diameter of bolt Circle	螺栓孔直径L 系列1/系列2 Diameter of bolt holes series1/ series2	螺栓 Bolt 数量n Number of bolts	螺纹 Th. 系列1/系列2 Thread series1/ series2	X 系列1/ 系列2 Series1/ Series2	Y 系列1/ 系列2 Series1/ Series2	f	f1, f2	N _{max}		S _{max}	R	
15	105	75	14	4	M12	55	39	40	2	4	18	45	15	4
20	130/125	90	18	4	M16	68	50	51	2	4	20	52	16	5
25	140/135	100	18	4	M16	78	57	58	2	4	22	61	18	5
32	155/150	110	23	4	M20	82	65	66	2	4	24	68	18	5
40	170/165	125	23	4	M20	95	75	76	3	4	24	80	20	5
50	180/175	135	23	4	M20	105	87	88	3	4	26	90	20	5
65	205/200	160	23	8	M20	130	109	110	3	4	28	111	23	6
80	215/210	170	23	8	M20	140	120	121	3	4	30	128	24	6
100	250	200	26/25	8	M24/M22	168	149	150	3	4.5	32	152	26	6
125	295	240	30	8	M27	202	175	176	3	4.5	36	181	28	8
150	345/340	280	34	8	M30	240	203	204	3	4.5	38	210	30	8
(175)	370	310	34	12	M30	270	233	234	3	4.5	42	239	32	10
200	405	345	36/34	12	M33/M30	300	259	260	3	4.5	44	268	34	10
(225)	430	370	36/34	12	M33/M30	325	286	287	3	4.5	46	301	38	10
250	470	400	36/41	12	M33/M36	352	312	313	3	4.5	48	326	38	10
300	530	460	36/41	16	M33/M36	412	363	364	4	4.5	54	384	42	12
350	600/595	525	41	16	M36	475	421	422	4	5	60	442	46	12
400	670	585	42/48	16	M39/42	525	473	474	4	5	66	500	50	12
500	800	705	48/54	20	M45/M48	640	575	576	4	5	70	610	55	18
600	930	820	58	20	M52	750	675/677	676/678	5	6	76	720	60	18

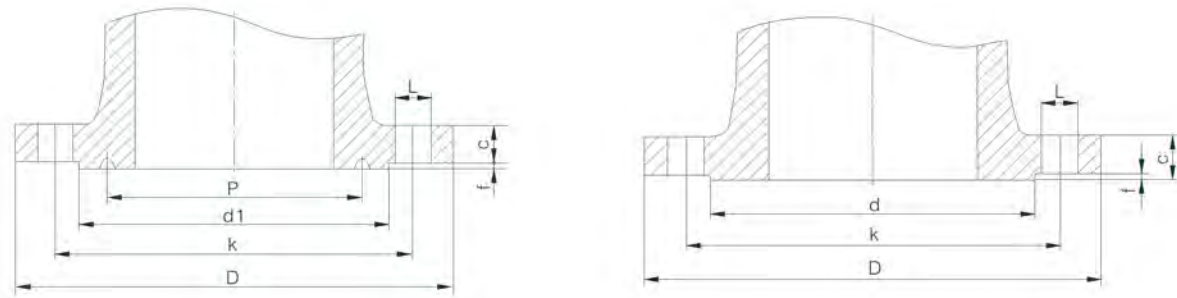
凹凸面整体铸钢管法兰 MALE-FEMALE FACE INTEGRAL STEEL PIPE FLANGE



JB/T 79.2-94 PN10.0MPa

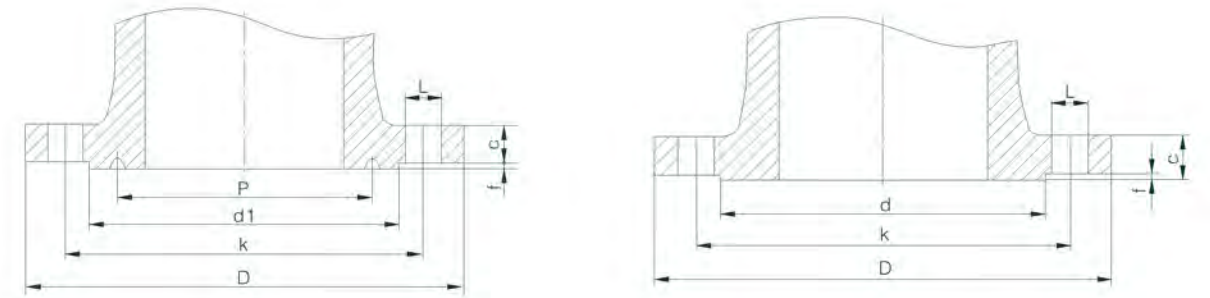
公称 口径 DN Nominal size	连接尺寸 Size ends					密封面尺寸 Sealing size					法兰 厚度 C Thickness of flange	法兰颈 Welding neck		
	法兰外径D 系列1/系列2 Outside diameter of flange series1/ series2	螺栓孔中心 圆直径K Diameter of bolt Circle	螺栓孔直径L 系列1/系列2 Diameter of bolt holes series1/ series2	螺栓 Bolt 数量n Number of bolts	螺纹 Th. 系列1/系列2 Thread series1/ series2	X 系列1/ 系列2 Series1/ Series2	Y 系列1/ 系列2 Series1/ Series2	f	f1, f2	N _{max}		S _{max}	R	
15	105	75	14	4	M12	55	39	40	2	4	20	45	15	4
20	130/125	90	18	4	M16	68	50	51	2	4	22	54	17	4
25	140/135	100	18	4	M16	78	57	58	2	4	24	61	18	4
32	155/150	110	23	4	M20	82	65	66	2	4	24	68	18	4
40	170/165	125	23	4	M20	95	75	76	3	4	26	80	20	4
50	195	145	26/25	4	M24/M22	112	87	88	3	4	28	94	22	4
65	220	170	26/25	8	M24/M22	138	109	110	3	4	32	115	25	5
80	230	180	26/25	8	M24/M22	148	120	121	3	4	34	132	26	5
100	265	210	30	8	M27	172	149	150	3	4.5	38	160	30	5
125	315/310	250	34	8/12	M30	210	175	176	3	4.5	42	189	32	6
150	355/350	290	34	12	M30	250	203	204	3	4.5	46	222	36	6
(175)	380	320	34	12	M30	280	233	234	3	4.5	48	251	38	8
200	430	360	36/41	12	M33/M36	312	259	260	3	4.5	54	284	42	8
(225)	470	400	41	12	M36	352	286	287	3	4.5	56	313	44	8
250	505/500	430	41	12	M36	385	312	313	3	4.5	60	346	48	8
300	585	500	42/48	16	M39/M42	442	363	364	4	4.5	70	408	54	10
350	655	560	48/54	16	M45/M48	498	421	422	4	5	76	466	58	12
400	715	620	48/54	16	M45/M48	558	473	474	4	5	80	520	60	12

平面、凸面整体钢制管法兰
 FLAT & RAISED FACE INTEGRAL STEEL PIPE FLANGE



GB/T 9113.1-2000 PN1.6MPa 16bar										
公称 通径 DN Nominal size	连接尺寸 Size ends					密封面尺寸 Sealing size		法兰 厚度 C Thickness of flange	法兰颈 Welding neck	
	法兰 外径D Outside diameter of flange	螺栓孔中心 圆直径K Diameter of bolt Circle	螺栓 孔直径L Diameter of bolt holes	数量n Number of bolts	螺栓 Bolt 螺纹规格 Diameter of bolt	d	f		N	R
10	90	60	14	4	M12	41	2	14	28	3
15	95	95	14	4	M12	46	2	14	32	3
20	105	75	14	4	M12	56	2	16	40	4
25	115	85	14	4	M12	65	2	16	50	4
32	140	100	18	4	M16	76	2	18	60	5
40	150	110	18	4	M16	84	2	18	70	5
50	165	125	18	4	M16	99	2	20	84	5
65	185	145	18	4	M16	118	2	20	104	6
80	200	160	18	8	M16	132	2	20	120	6
100	220	180	18	8	M16	156	2	22	140	6
125	250	210	18	8	M16	184	2	22	170	6
150	285	240	22	8	M20	211	2	24	190	8
200	340	295	22	12	M20	266	2	24	246	8
250	405	355	26	12	M24	319	2	26	296	10
300	460	410	26	12	M24	370	2	28	350	10
350	520	470	26	16	M24	429	2	30	410	10
400	580	525	30	16	M27	480	2	32	458	10
450	640	585	30	20	M27	548	2	40	516	12
500	715	650	33	20	M30	609	2	44	576	12
600	840	770	36	20	M33	720	2	54	690	12
700	910	840	36	24	M33	794	5	40	760	12
800	1025	950	39	24	M36	901	5	42	862	12
900	1125	1050	39	28	M36	1001	5	44	962	12
1000	1255	1170	42	28	M39	1112	5	46	1076	12
1200	1485	1390	48	32	M45	1328	5	52	1282	12
1400	1685	1590	48	36	M45	1530	5	58	1482	12
1600	1930	1820	55	40	M52	1750	5	64	1696	12

平面、凸面整体钢制管法兰
 FLAT & RAISED FACE INTEGRAL STEEL PIPE FLANGE



GB/T 9113.1-2000 PN2.5MPa 25bar										
公称 通径 DN Nominal size	连接尺寸 Size ends					密封面尺寸 Sealing size		法兰 厚度 C Thickness of flange	法兰颈 Welding neck	
	法兰 外径D Outside diameter of flange	螺栓孔中心 圆直径K Diameter of bolt Circle	螺栓 孔直径L Diameter of bolt holes	数量n Number of bolts	螺栓 Bolt 螺纹规格 Diameter of bolt	d	f		N	R
10	90	60	14	4	M12	41	2	14	28	3
15	95	95	14	4	M12	46	2	14	32	3
20	105	75	14	4	M12	56	2	16	40	4
25	115	85	14	4	M12	65	2	16	50	4
32	140	100	18	4	M16	76	2	18	60	5
40	150	110	18	4	M16	84	2	18	70	5
50	165	125	18	4	M16	99	2	20	84	5
65	185	145	18	4	M16	118	2	22	104	6
80	200	160	18	8	M16	132	2	24	120	6
100	235	190	22	8	M20	156	2	24	142	6
125	270	220	26	8	M24	184	2	26	162	6
150	300	250	26	8	M24	211	2	28	192	8
200	360	310	26	12	M24	274	2	30	252	8
250	425	370	30	12	M27	330	2	32	304	10
300	485	430	30	16	M27	389	2	34	364	10
350	555	490	33	16	M30	448	2	38	418	10
400	620	550	36	16	M33	503	2	40	472	10
450	670	600	36	20	M33	548	2	46	520	12
500	730	660	36	20	M33	609	2	48	580	12
600	845	770	39	20	M36	720	2	58	684	12
700	960	875	42	24	M39	820	5	50	780	12
800	1085	990	48	24	M45	928	5	54	882	12
900	1185	1090	48	28	M45	1028	5	58	982	12
1000	1320	1210	55	28	M52	1140	5	62	1086	12
1200	1530	1420	55	32	M52	1350	5	70	1296	12
1400	1755	1640	60	36	M56	1560	5	76	1508	12
1600	1975	1860	60	40	M56	1780	5	84	1726	12

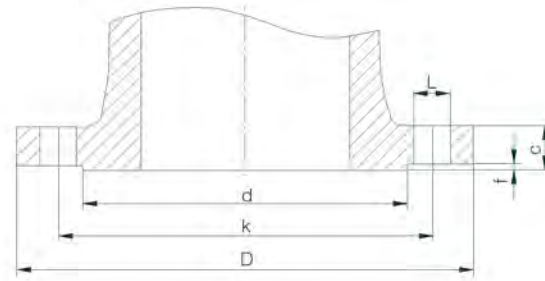
平面、凸面整体钢制管法兰
 FLAT & RAISED FACE INTEGRAL STEEL PIPE FLANGE

GB/T 9113.1-2000 PN4.0MPa 40bar										
10	90	60	14	4	M12	41	2	14	28	3
15	95	95	14	4	M12	46	2	14	32	3
20	105	75	14	4	M12	56	2	16	40	4
25	115	85	14	4	M12	65	2	16	50	4
32	140	100	18	4	M16	76	2	18	60	5
40	150	110	18	4	M16	84	2	18	70	5
50	165	125	18	4	M16	99	2	20	84	5
65	185	145	18	4	M16	118	2	22	104	6
80	200	160	18	8	M16	132	2	24	120	6
100	235	190	22	8	M20	156	2	24	142	6
125	270	220	26	8	M24	184	2	26	162	6
150	300	250	26	8	M24	211	2	28	192	8
200	375	320	30	12	M27	284	2	34	254	8
250	450	385	33	12	M30	345	2	38	312	10
300	515	450	33	16	M30	409	2	42	378	10
350	580	510	36	16	M33	465	2	46	432	10
400	660	585	39	16	M36	535	2	50	498	10
450	685	610	39	20	M36	560	2	57	522	12
500	755	670	42	20	M39	615	2	57	576	12
600	890	795	48	20	M45	735	2	72	686	12
GB/T 9113.1-2000 PN6.3MPa 63bar										
10	100	70	14	4	M12	41	2	20	40	4
15	105	75	14	4	M12	46	2	20	45	4
20	130	90	18	4	M16	56	2	20	50	4
25	140	100	18	4	M16	65	2	24	61	4
32	155	110	22	4	M20	76	2	24	68	4
40	170	125	22	4	M20	84	2	26	82	4
50	180	135	22	4	M20	99	2	26	90	5
65	205	160	22	8	M20	118	2	26	105	5
80	215	170	22	8	M20	132	2	28	122	5
100	250	200	26	8	M24	156	2	30	146	5
125	295	240	30	8	M27	184	2	34	177	6
150	345	280	33	8	M30	211	2	36	204	6
200	415	345	36	12	M33	284	2	42	264	8
250	470	400	36	12	M33	345	2	46	320	8
300	530	460	36	16	M33	409	2	52	378	10
350	600	525	39	16	M36	465	2	56	434	10
400	670	585	42	16	M39	535	2	60	490	12

平面、凸面整体钢制管法兰
 FLAT & RAISED FACE INTEGRAL STEEL PIPE FLANGE

GB/T 9113.1-2000 PN10.0MPa 100bar										
10	100	70	14	4	M12	41	2	20	40	4
15	105	75	14	4	M12	46	2	20	45	4
20	130	90	18	4	M16	56	2	20	50	4
25	140	100	18	4	M16	65	2	24	61	4
32	155	110	22	4	M20	76	2	24	68	4
40	170	125	22	4	M20	84	2	26	82	4
50	195	145	26	4	M24	99	2	28	96	5
65	220	170	26	8	M24	118	2	30	113	5
80	230	180	26	8	M24	132	2	32	128	5
100	265	210	30	8	M27	156	2	36	150	5
125	315	250	33	8	M30	184	2	40	185	6
150	355	290	33	12	M30	211	2	44	216	6
200	430	360	36	12	M33	284	2	52	278	8
250	505	430	39	12	M36	345	2	60	340	8
300	585	500	42	16	M39	409	2	68	402	10
350	655	560	48	16	M45	465	2	74	460	10
400	715	620	48	16	M45	535	2	82	518	12
GB/T 9113.1-2000 PN16.0MPa 160bar										
10	100	70	14	4	M12	41	2	24	40	4
15	105	75	14	4	M12	46	2	26	45	4
20	130	90	18	4	M16	56	2	30	50	4
25	140	100	18	4	M16	65	2	32	61	4
32	155	110	22	4	M20	76	2	34	68	4
40	170	125	22	4	M20	84	2	6	82	4
50	195	145	26	4	M24	99	2	38	96	5
65	220	170	26	8	M24	118	2	42	113	5
80	230	180	26	8	M24	132	2	46	128	5
100	265	210	30	8	M27	156	2	52	150	5
125	315	250	33	8	M30	184	2	56	184	6
150	355	290	33	8	M30	211	2	62	224	6
200	430	660	36	12	M33	284	2	66	288	8
250	515	430	42	12	M39	345	2	76	346	8
300	585	500	42	16	M39	409	2	88	414	10

整体钢制管法兰 INTEGRAL STEEL PIPE FLANGE

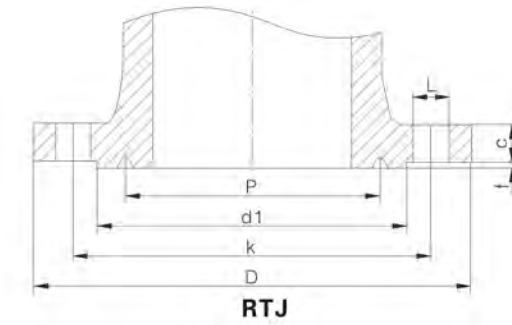


CLASS150、300、400、600 R F ASME B16.5、B16.47

CLASS 150 R F ASME B16.5、ASME B16.47								CLASS 300 R F ASME B16.5、ASME B16.47							
DN	D	K	L	螺栓(Bolt)n-Th	d	f	C	DN	D	K	L	螺栓(Bolt)n-Th	d	f	C
2	152	120.5	18	4-M16	92	2	16	2	165	127	18	8-M16	92	2	23
2-1/2	178	139.5	18	4-M16	105	2	18	2-1/2	190	149	18	8-M20	105	2	26
3	190	152.5	18	4-M16	127	2	19	3	210	168.5	18	8-M20	127	2	29
4	229	190.5	18	8-M16	157	2	24	4	254	200	18	8-M20	157	2	32
5	254	216	22	8-M20	186	2	24	5	279	235	22	8-M20	186	2	35
6	279	241.5	22	8-M20	216	2	26	6	318	270	22	12-M20	216	2	37
8	343	298.5	22	8-M20	270	2	29	8	381	330	22	12-M24	270	2	42
10	406	362	26	12-M24	324	2	31	10	445	387.5	26	16-M27	324	2	48
12	483	432	26	12-M24	381	2	32	12	521	451	26	16-M30	381	2	51
14	533	476	29.5	12-M27	413	2	35	14	584	514.5	29.5	20-M30	413	2	54
16	597	540	29.5	16-M27	470	2	37	16	648	571.5	29.5	20-M33	470	2	58
18	635	578	32.5	16-M30	533	2	40	18	711	628.5	32.5	24-M33	533	2	61
20	699	635	32.5	20-M30	584	2	43	20	775	686	32.5	24-M33	584	2	64
24	813	749.5	35.5	30-M33	692	2	48	24	914	813	35.5	24-M39	692	2	70
26	870	806.5	35	24-M33	749	2	68	26	972	876	35	28-M42	749	2	79
28	927	863.6	35	28-M33	800	2	72	28	1035	940	35	28-M42	800	2	86
30	984	914	35	28-M33	857	2	75	30	1092	997	35	28-M45	857	2	92
32	1060	978	41	28-M39	914	2	81	32	1149	1054	41	28-M48	914	2	99
36	1168	1086	41	32-M39	1022	2	90	36	1270	1168	41	32-M52	1022	2	105
40	1289	1200	41	36-M39	1124	2	90	40	1238	1156	41	32-M42	1086	2	114
42	1346	1257	41	36-M39	1194	2	97	42	1289	1206.5	41	32-M42	1137	2	119
48	1511	1422	41	44-M39	1359	2	108	48	1467	1372	41	32-M48	1302	2	133

CLASS 600 R F ASME B16.5、ASEM B16.47								CLASS 600 R F ASME B16.5、ASME B16.47							
DN	D	K	L	螺栓(Bolt)n-Th	d	f	C	DN	D	K	L	螺栓(Bolt)n-Th	d	f	C
2	165	127	19	8-M16	92	6.4	25.5	2	165	127	19	8-M16	92	6.4	26
2-1/2	190	149.2	22	8-M20	105	6.4	29	2-1/2	190	149	22	8-M20	100	6.4	29
3	210	168.3	22	8-M20	127	6.4	32	3	210	168	22	8-M20	127	6.4	32
4	254	200	26	8-M24	157	6.4	35	4	273	216	26	8-M24	157	6.4	38
5	279	234.9	26	8-M24	186	6.4	38.5	5	330	266.5	29	8-M27	186	6.4	45
6	318	269.9	29	12-M24	216	6.4	41.5	6	356	292	29	12-M27	216	6.4	48
8	381	330.2	29	12-M27	270	6.4	48	8	419	349	32	12-M30	270	6.4	56
10	445	387.3	32	16-M30	324	6.4	54	10	508	432	35	16-M33	324	6.4	64
12	520	450.8	35	16-M33	381	6.4	57.5	12	559	489	35	20-M33	381	6.4	67
14	585	514.3	35	20-M33	413	6.4	60.5	14	603	527	38	20-M36	413	6.4	70
16	650	571.5	39	20-M36	470	6.4	63.5	16	686	603	41	20-M39	470	6.4	77
18	710	628	39	24-M36	533	6.4	67	18	743	654	44	20-M42	533	6.4	83
20	775	685.8	42	24-M39	584	6.4	70	20	813	724	44	24-M42	584	6.4	89
24	915	812.8	48	24-M45	692	6.4	76.5	24	940	838	52	24-M48	692	6.4	102
26	851	781	39	28-M36	711	6.4	89	26	1016	914.4	51	28-M48	749	6.4	108
28	914	838	41	24-M39	762	6.4	95	28	1073	965.2	54	28-M48	800	6.4	111
30	972	895.4	41	28-M39	819	6.4	102	30	1130	1022.4	54	28-M52	857	6.4	114
32	1035	952.5	44	28-M42	873	6.4	108	32	1194	1079.5	60	28-M56	914	6.4	117

整体钢制管法兰 INTEGRAL STEEL PIPE FLANGE



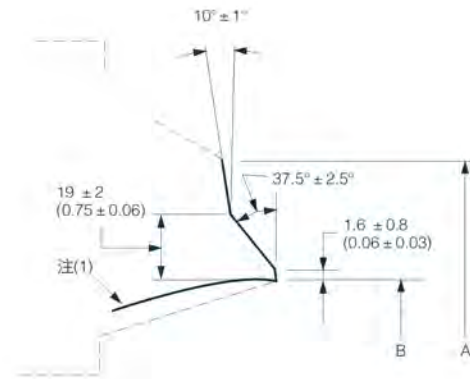
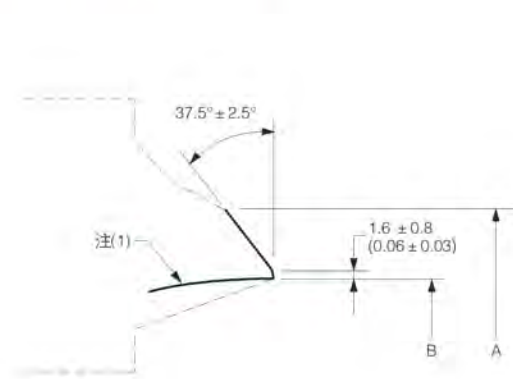
CLASS 900 RTJ ASME B16.5 ASME B16.47

DN	D	K	L	螺栓(Bolt)n-Th	d1	P	f	C
2	216	165.1	26	8-M24	124	95.25	8	38.5
2-1/2	244	190.5	29	8-M27	137	107.95	8	41.5
3	241	190.5	26	8-M27	168	123.82	8	38.5
4	292	234.9	32	8-M30	194	149.22	8	44.5
5	349	279.4	35	8-M33	229	180.98	8	51
6	381	317.5	32	12-M30	248	211.12	8	56
8	470	393.7	39	12-M36	318	269.88	8	63.5
10	545	469.9	39	16-M36	371	323.85	8	70
12	610	533.4	39	20-M36	438	381	11.13	79.5
14	640	558.8	42	20-M39	489	419.1	11.13	86
16	705	615.9	45	20-M42	546	469.9	12.7	89
18	785	685.8	51	20-M48	613	533.4	12.7	102
20	855	749.3	54	20-M52	673	584.2	15.88	108
24	1040	901.7	67	20-M64	794	692.15	17.48	140
26	1086	952.5	73	20-M70	832	749.3	17.48	140
28	1168	1022.4	79	20-M76	889	800.1	17.48	143
30	1232	1085.9	79	20-M76	946	857.25	17.48	149
32	1314	1155.7	86	20-M84	1003	914.4	17.48	159

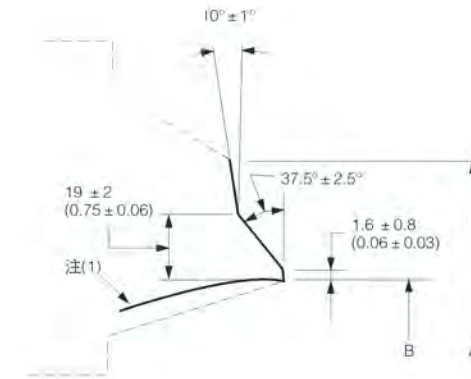
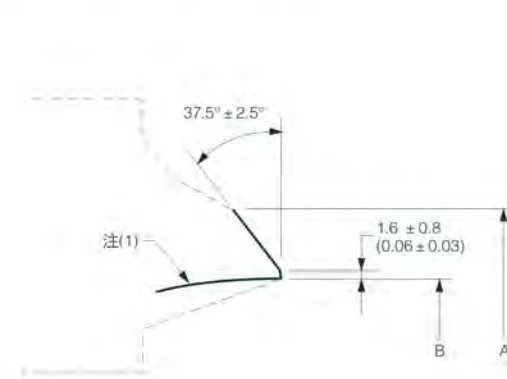
CLASS 1500 RTJ ASME B16.5

DN	D	K	L	螺栓(Bolt)n-Th	d1	P	f	C
2	215	165	26	8-M24	92	95.25	7.92	38.5
2-1/2	245	190.5	29.5	8-M27	105	107.95	7.92	41.5
3	265	203	32.5	8-M30	127	136.52	7.92	48
4	310	241.5	35.5	8-M33	157	161.92	7.92	54
5	375	292	42	8-M39	186	193.68	7.92	73.5
6	395	317.5	39	12-M36	216	211.12	9.52	83
8	485	393.5	45	12-M42	270	269.88	11.13	92
10	585	482.5	51	12-M48	324	323.85	11.13	108
12	675	571.5	55	16-M52	381	381	14.27	124
14	750	635	60	16-M56	413	419.1	15.88	133.5
16	825	705	68	16-M64	470	469.9	17.48	146.5
18	915	774.5	74	16-M70	533	533.4	17.48	162
20	985	832	80	16-M76	584	584.2	17.48	178
24	1170	990.5	94	16-M90	692	692.15	20.62	203.5

对接焊端 BUTT-WELDING ENDS



对接焊端 BUTT-WELDING ENDS



DN65-250

管子公称规格 DN	管壁厚度 系列号 [注(1)]	焊接端部外径		B	C[注(3)]	t
		锻造或加工组件 [注(1)]A	铸钢阀门 [注(2)]A			
65	40	73.0	75	62.5	662.93	5.16
	80	73.0	75	59	59.69	7.01
	160	73.0	75	54	55.28	9.35
	XXS	73.0	75	45	47.43	14.02
80	40	88.9	91	78	78.25	5.49
	80	88.9	91	73.5	74.53	7.62
	160	88.9	91	66.5	68.38	11.13
	XXS	88.9	91	58.5	61.19	15.24
90	40	101.6	105	90	90.52	5.74
	80	101.6	105	85.5	86.42	8.08
100	40	114.3	117	102	102.73	6.02
	80	114.3	117	97	98.28	8.56
	120	114.3	117	92	93.78	11.13
	160	114.3	117	87.5	89.65	13.49
125	XXS	114.3	117	80	83.30	17.12
	40	141.3	144	128	128.80	6.55
	80	141.3	144	122	123.58	9.3
	120	141.3	144	116	118.04	12.70
150	160	141.3	144	109.5	112.47	15.88
	XXS	141.3	144	103	106.92	19.05
	40	168.3	172	154	154.82	7.11
	80	168.3	172	146.5	148.06	10.97
200	120	168.3	172	140	142.29	14.27
	160	168.3	172	132	135.31	18.26
	XXS	168.3	172	124.5	128.85	21.95
	40	219.1	223	203	203.75	8.18
250	60	219.1	223	198.5	200.02	10.31
	80	219.1	223	193.5	195.84	12.70
	100	219.1	223	189	191.65	15.09
	120	219.1	223	182.5	186.11	18.26
300	140	219.1	223	178	181.98	20.62
	XXS	219.1	223	174.5	179.16	22.23
	160	219.1	223	173	177.79	23.01
	40	273.0	278	254.5	255.74	9.27
400	60	273.0	278	247.5	249.74	12.70
	80	273.0	278	243	245.55	15.09
	100	273.0	278	236.5	240.01	18.26
	120	273.0	278	230	234.44	21.44
500	140	273.0	278	222	227.51	25.40
	160	273.0	278	216	221.95	28.58

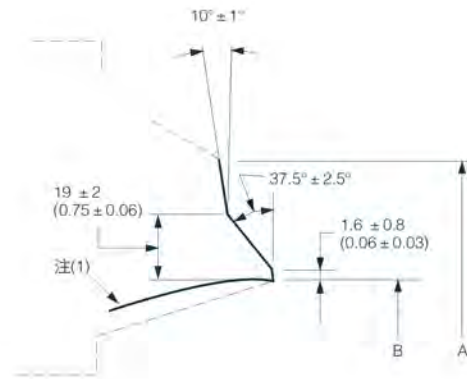
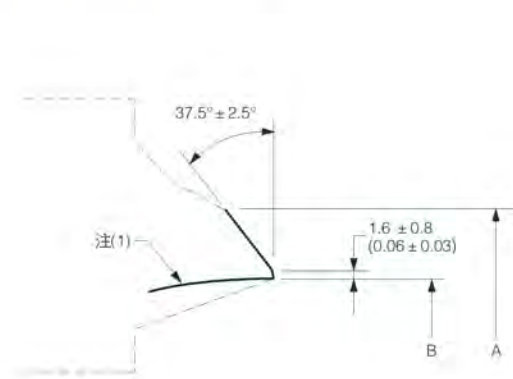
DN300-450

管子公称规格 DN	管壁厚度 系列号 [注(1)]	焊接端部外径		B	C[注(3)]	t
		锻造或加工组件 [注(1)]A	铸钢阀门 [注(2)]A			
300	STD	323.8	329	305	306.08	9.53
	40	323.8	329	303	304.72	10.31
	XS	323.8	329	298.5	300.54	12.70
	60	323.8	329	295	297.79	14.27
350	80	323.8	329	289	292.17	17.48
	100	323.8	329	281	285.24	21.44
	120	323.8	329	273	278.31	25.40
	140	323.8	329	266.5	272.75	28.58
400	160	323.8	329	257	264.45	33.32
	STD	355.6	362	336.5	337.88	9.53
	40	355.6	362	333.5	335.08	11.13
	XS	355.6	362	330	332.34	12.70
450	60	355.6	362	325.5	328.15	15.09
	80	355.6	362	317.5	321.22	19.05
	100	355.6	362	308	312.86	23.83
	120	355.6	362	300	305.93	27.79
500	140	355.6	362	292	299.00	31.75
	160	355.6	362	284	292.07	35.71
	STD	406.4	413	387.5	388.68	9.53
	40	406.4	413	381	383.14	12.70
600	60	406.4	413	373	376.21	16.66
	80	406.4	413	363.5	367.84	21.44
	100	406.4	413	354	359.53	26.19
	120	406.4	413	344.5	351.18	30.96
700	140	406.4	413	333.5	341.43	36.53
	160	406.4	413	325.5	334.50	40.49
	STD	457.2	464	438	439.48	9.53
	40	457.2	464	432	433.94	12.70
800	60	457.2	464	428.5	431.19	14.27
	80	457.2	464	419	422.82	19.05
	100	457.2	464	409.5	414.46	23.83
	120	457.2	464	398.5	404.78	29.36
900	140	457.2	464	387.5	395.03	34.93
	160	457.2	464	378	386.77	39.67
	STD	558.8	567	539	541.08	9.53
	40	558.8	567	533	535.54	12.70
1000	60	558.8	567	514	518.86	22.23
	80	558.8	567	501	507.75	28.58
	100	558.8	567	488.5	496.63	34.93
	120	558.8	567	476	485.52	41.28
1100	140	558.8	567	463	474.41	47.63
	160	558.8	567	450.5	463.30	53.98
	STD	609.6	619	590.5	591.88	9.53
	40	609.6	619	584	586.34	12.70
1200	60	609.6	619	574.5	577.97	17.48
	80	609.6	619	560.5	565.49	24.61
	100	609.6	619	547.5	554.38	30.96
	120	609.6	619	532	540.49	38.89
1300	140	609.6	619	517.5	528.03	46.02
	160	609.6	619	505	516.91	52.37
	STD	660.4	670	645.5	645.50	7.92
	40	660.4	670	635	637.14	12.70
1400	60	660.4	670	625	627.14	17.48
	80	660.4	670	611.2	611.2	22.23
	100	660.4	670	597.5	597.5	27.01
	120	660.4	670	584	584	31.75
1500	140	660.4	670	570.5	570.5	36.53
	160	660.4	670	557.5	557.5	41.28
	STD	711.2	721	695.5	695.5	7.92
	40	711.2	721	686	687.94	12.70
1600	60	711.2	721	679.5	679.5	17.48
	80	711.2	721	670.5	670.5	22.23
	100	711.2	721	662	662	27.01
	120	711.2	721	654	654	31.75
1700	140	711.2	721	646.5	646.5	36.53
	160	711.2	721	638.5	638.5	41.28
	STD	762.0	772	736.5	736.5	7.92
	40	762.0	772	727.5	727.5	12.70
1800	60	762.0	772	719.5	719.5	17.48
	80	762.0	772	711.5	711.5	22.23
	100	762.0	772	703.5	703.5	27.01
	120	762.0	772	695.5	695.5	31.75
1900	140	762.0	772	687.5	687.5	36.53
	160	762.0	772	679.5	679.5	41.28
	STD	812.8	825	797	797	7.92
	40	812.8	825	788.5	788.5	12.70
2000	60	812.8	825	780.5	780.5	17.48
	80	812.8	825	772.5	772.5	22.23
	100	812.8	825	764.5	764.5	27.01
	120	812.8	825	756.5	756.5	31.75

DN500-800

管子公称规格 DN	管壁厚度 系列号 [注(1)]	焊接端部外径		B	C[注(3)]	t
		锻造或加工组件 [注(1)]A	铸钢阀门 [注(2)]A			
500	STD	508.0	516	489	490.28	9.53
	XS	508.0	516	482.5	484.74	12.70
	40	508.0	516	478	480.55	15.09
	60	508.0	516	467	470.88	20.62
550	80	508.0	516	455.5	461.13	26.19
	100	508.0	516	443	450.02	32.54
	120	508.0	516	432	440.29	38.10
	140	508.0	516	419	429.17	44.45
600	160	508.0	516	408	419.44	50.01
	STD	558.8	567	539	541.08	9.53
	40	558.8	567	533	535.54	12.70
	60	558.8	567	514	518.86	22.23
650	80	558.8	567	501	507.75	28.58
	100	558.8	567	488.5	496.63	34.93
	120	558.8	567	476	485.52	41.28
	140	558.8	567	463	474.41	47.63
700	160	558.8	567	450.5	463.30	53.98
	STD	609.6	619	590.5	591.88	9.53
	40	609.6	619	584	586.34	12.70
	60	609.6	619	574.5	577.97	17.48
750	80	609.6	619	560.5	565.49	24.61
	100	609.6	619	547.5	554.38	30.96
	120	609.6	619	532	540.49	38.89
	140	609.6	619	517.5	528.03	46.02
800	160	609.6	619	505	516.91	52.37
	STD	660.4	670	645.5	645.50	7.92
	40	660.4	670	635	637.14	12.70
	60	660.4	670	625	627.14	17.48
850	80	660.4	670	611.2	611.2	22.23
	100	660.4	670	597.5	597.5	27.01
	120	660.4	670	584	584	31.75
	140	660.4	670	570.5	570.5	36.53
900	160	660.4	670	557.5	557.5	41.28
	STD	711.2	721	695.5	695.5	7.92
	40	711.2	721	686	687.94	12.70
	60	711.2	721	679.5	679.5	17.48
950	80	711.2	721	670.5	670.5	22.23
	100	711.2	721	662	662	27.01
	120	711.2	721	654	654	31.75
	140	711.2	721	646.5	646.5	36.53
1000	160	711.2	721	638.5	638.5	41.28
	STD	762.0	772	736.5	736.5	7.92
	40	762.0	772	727.5	727.5	12.70
	60	762.0	772	719.5	719.5	17.48
1050	80	762.0	772	711.5	711.5	22.23
	100	762.0	772	703.5	703.5	27.01
	120	762.0	772	695.5	695.5	31.75
	140	762.0	772	687.5	687.5	36.53
1100	160	762.0	772	679.5	679.5	41.28
	STD	812.8	825	797	797	7.92
	40	812.8	825	788.5	788.5	12.70
	60	812.8	825	780.5	780.5	17.48
1150	80	812.8	825	772.5	772.5	22.23
	100	812.8	825	764.5	764.5	27.01
	120	812.8	825	756.5	756.5	31.75
	140	812.8	825	748.5	748.5	36.53
1200						

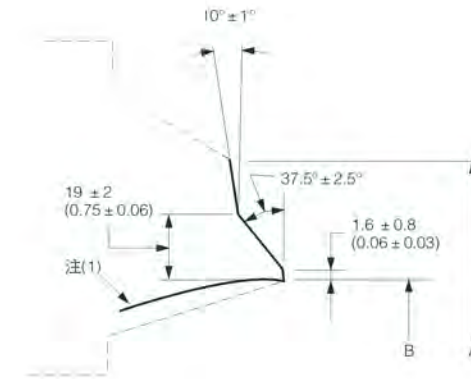
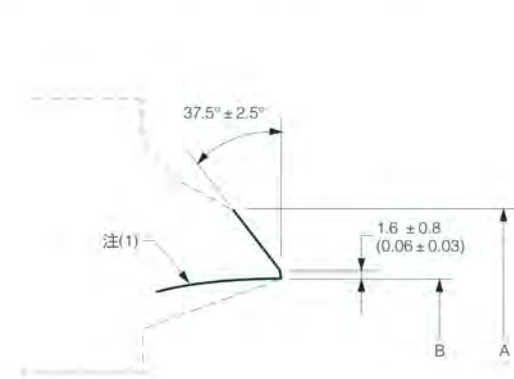
对接焊端 BUTT-WELDING ENDS



DN65-250						
Pipe nominal specification (DN)	Series of pipe schedule thickness [Note(1)]	Welded-end out diameters		B	C[Note(3)]	t
		Forged or manufactured components [Note(1)]A	Casting steel valve [Note(2)]A			
65	40	73.0	75	62.5	662.93	5.16
	80	73.0	75	59	59.69	7.01
	160	73.0	75	54	55.28	9.35
	XXS	73.0	75	45	47.43	14.02
80	40	88.9	91	78	78.25	5.49
	80	88.9	91	73.5	74.53	7.62
	160	88.9	91	66.5	68.38	11.13
	XXS	88.9	91	58.5	61.19	15.24
90	40	101.6	105	90	90.52	5.74
	80	101.6	105	85.5	86.42	8.08
100	40	114.3	117	102	102.73	6.02
	80	114.3	117	97	98.28	8.56
	120	114.3	117	92	93.78	11.13
	160	114.3	117	87.5	89.65	13.49
125	XXS	114.3	117	80	83.30	17.12
	40	141.3	144	128	128.80	6.55
	80	141.3	144	122	123.58	9.3
	120	141.3	144	116	118.04	12.70
150	160	141.3	144	109.5	112.47	15.88
	XXS	141.3	144	103	106.92	19.05
	40	168.3	172	154	154.82	7.11
	80	168.3	172	146.5	148.06	10.97
200	120	168.3	172	140	142.29	14.27
	160	168.3	172	132	135.31	18.26
	XXS	168.3	172	124.5	128.85	21.95
	40	219.1	223	203	203.75	8.18
250	60	219.1	223	198.5	200.02	10.31
	80	219.1	223	193.5	195.84	12.70
	100	219.1	223	189	191.65	15.09
	120	219.1	223	182.5	186.11	18.26
250	140	219.1	223	178	181.98	20.62
	XXS	219.1	223	174.5	179.16	22.23
	160	219.1	223	173	177.79	23.01
	40	273.0	278	254.5	255.74	9.27
250	60	273.0	278	247.5	249.74	12.70
	80	273.0	278	243	245.55	15.09
	100	273.0	278	236.5	240.01	18.26
	120	273.0	278	230	234.44	21.44
250	140	273.0	278	222	227.51	25.40
	160	273.0	278	216	221.95	28.58

DN300-450						
Pipe nominal specification (DN)	Series of pipe schedule thickness [Note(1)]	Welded-end out diameters		B	C[Note(3)]	t
		Forged or manufactured components [Note(1)]A	Casting steel valve [Note(2)]A			
300	STD	323.8	329	305	306.08	9.53
	40	323.8	329	303	304.72	10.31
	XS	323.8	329	298.5	300.54	12.70
	60	323.8	329	295	297.79	14.27
	80	323.8	329	289	292.17	17.48
	100	323.8	329	281	285.24	21.44
	120	323.8	329	273	278.31	25.40
	140	323.8	329	266.5	272.75	28.58
	160	323.8	329	257	264.45	33.32
	STD	355.6	362	336.5	337.88	9.53
350	40	355.6	362	333.5	335.08	11.13
	XS	355.6	362	330	332.34	12.70
	60	355.6	362	325.5	328.15	15.09
	80	355.6	362	317.5	321.22	19.05
	100	355.6	362	308	312.86	23.83
	120	355.6	362	300	305.93	27.79
	140	355.6	362	292	299.00	31.75
	160	355.6	362	284	292.07	35.71
	STD	406.4	413	387.5	388.68	9.53
	40	406.4	413	381	383.14	12.70
400	60	406.4	413	373	376.21	16.66
	80	406.4	413	363.5	367.84	21.44
	100	406.4	413	354	359.53	26.19
	120	406.4	413	344.5	351.18	30.96
	140	406.4	413	333.5	341.43	36.53
	160	406.4	413	325.5	334.50	40.49
	STD	457.2	464	438	439.48	9.53
	40	457.2	464	432	433.94	12.70
	XS	457.2	464	428.5	431.19	14.27
	60	457.2	464	419	422.82	19.05
450	80	457.2	464	409.5	414.46	23.83
	100	457.2	464	398.5	404.78	29.36
	120	457.2	464	387.5	395.03	34.93
	140	457.2	464	378	386.77	39.67
160	457.2	464	366.5	376.99	45.24	

对接焊端 BUTT-WELDING ENDS



DN500-800						
Pipe nominal specification (DN)	Series of pipe schedule thickness [Note(1)]	Welded-end out diameters		B	C[Note(3)]	t
		Forged or manufactured components [Note(1)]A	Casting steel valve [Note(2)]A			
500	STD	508.0	516	489	490.28	9.53
	XS	508.0	516	482.5	484.74	12.70
	40	508.0	516	478	480.55	15.09
	60	508.0	516	467	470.88	20.62
	80	508.0	516	455.5	461.13	26.19
	100	508.0	516	443	450.02	32.54
	120	508.0	516	432	440.29	38.10
	140	508.0	516	419	429.17	44.45
	160	508.0	516	408	419.44	50.01
	STD	558.8	567	539	541.08	9.53
550	XS	558.8	567	533	535.54	12.70
	60	558.8	567	514	518.86	22.23
	80	558.8	567	501	507.75	28.58
	100	558.8	567	488.5	496.63	34.93
	120	558.8	567	476	485.52	41.28
	140	558.8	567	463	474.41	47.63
	160	558.8	567	450.5	463.30	53.98
	STD	609.6	619	590.5	591.88	9.53
	XS	609.6	619	584	586.34	12.70
	30	609.6	619	581	583.59	14.27
600	40	609.6	619	574.5	577.97	17.48
	60	609.6	619	560.5	565.49	24.61
	80	609.6	619	547.5	554.38	30.96
	100	609.6	619	532	540.49	38.89
	120	609.6	619	517.5	528.03	46.02
	140	609.6	619	505	516.91	52.37
	160	609.6	619	490.5	504.37	59.54
	10	660.4	670	645.5	645.50	7.92
	20	660.4	670	635	637.14	12.70
	700	10	711.2	721	695.5	696.30
20		711.2	721	686	687.94	12.70
30		711.2	721	679.5	682.37	15.88
750	10	762.0	772	746	747.10	7.92
	20	762.0	772	736.5	738.74	12.70
	30	762.0	772	730	733.17	15.88
800	10	812.8	825	797	797.90	7.92
	20	812.8	825	787.5	789.54	12.70
	30	812.8	825	781	783.97	15.88
	40	812.8	825	778	781.17	17.48

DN850-900						
Pipe nominal specification (DN)	Series of pipe schedule thickness [Note(1)]	Welded-end out diameters		B	C[Note(3)]	t
		Forged or manufactured components [Note(1)]A	Casting steel valve [Note(2)]A			
850	10	863.6	876	848	848.70	7.92
	20	863.6	876	838	840.34	12.70
	30	863.6	876	832	834.77	15.88
	40	863.6	876	828.5	831.97	17.48
900	10	914.4	927	898.5	899.50	7.92
	20	914.4	927	889	891.14	12.70
	30	914.4	927	882.5	885.57	15.88
	40	914.4	927	876.5	880.02	19.05

Note:(1)Characters stand for:
(a)STD=Standard schedule thickness
(b)XS=Thickened
(c)XXS=Super thickened
(2)All the diameters are not required size, just be convenient for users.
(3)Gasket rings for DN50 and below size are not considered to manufacture.