



◇国家高新技术企业◇国家阀门标准编制单位



◇国家高新技术企业◇国家阀门标准编制单位

浙江五洲阀门有限公司  
ZHEJIANG WUZHOU VALVE CO., LTD.

地址: 温州市永强高新技术产业园区  
Add: Yongqiang High-new Tech. Industry district,  
Wenzhou, Zhejiang, China  
销售部(Sales department): 0577-86916820  
总机(Telephone exchange): 0577-86915555  
传真(Fax): 0577-86933224  
邮编(Postcodes): 325024  
Http://www.wuzhou-valve.com  
E-mail:wz@wuzhou-valve.com



## Globe valve series 截止阀系列

High-New Technology Enterprise of China,  
National valve standard authorized unit

浙江五洲阀门有限公司  
ZHEJIANG WUZHOU VALVE CO., LTD.

# 2006



浙江五洲阀门有限公司 总部办公大楼  
ZHEJIANG WUZHOU VALVE CO., LTD. Headquarters

公司创建于1978年，是科技型阀门专业制造工厂。目前占地面积36000m<sup>2</sup>，其中建筑面积25200m<sup>2</sup>，公司员工256人，高中级技术人员46人，具有CAD、CAM开发设计制造和ERP企业资源计划管理系统。公司固定资产9800万元，拥有加工中心、数控机床及金切加工设备116台，理化、无损检测、光谱分析阀门综合性能测试设备45台（套），起重、运输设备22台。公司是国家高新技术企业，重点国家级火炬计划项目，浙江省著名商标、浙江省名牌产品，省特种阀门研发中心，中国阀协副理事长单位，阀门国家标准编制单位，省重大高新技术产业项目单位，科技先进企业。公司已取得DNV（挪威船级社）ISO9001（2000版本）国际质量体系认证证书和美国石油学会API-6D、API 607、API 6FA证书，并取得TÜV德国莱茵公司CE认证和国家质量技术监督局压力元件制造单位AZ安全注册。公司是中国石化集团物资装备公司、中国石油天然气集团公司、中国铝业集团公司和化工部化工装备总公司、中国海洋石油公司定点供应成员单位。硬密封高温系列球阀、高

压矿砂料浆阀等获得多项国家专利，并被国家科技部列为国家重点火炬计划项目和国家级新产品以及国际尤里卡金奖，三偏心蝶阀获专利新产品奖。闸阀、截止阀等均经国家技术监督局全国统检评为一等品。

公司为石油、化工、冶金、轻工、煤化工、电站、城建供水及输油、输气、天然气、长输管线等工程，提供高温、高压、高耐磨以及大口径的球阀、平板闸阀、蝶阀、闸阀、截止阀、止回阀、矿砂料浆阀、电站阀以及引进装置配套的非标和特殊阀门十大类、1200余个品种规格。生产通径为DN15~3000mm（1/2"~120"），公称压力1.6MPa~42.0Mpa（Class150~2500），工作温度为-196℃~750℃，阀门的材质有碳钢、不锈钢、耐热合金钢、蒙耐尔合金、低温钢以及其他特殊钢种，驱动方式有手动、电动、气动、齿轮传动、蜗轮蜗杆传动、气液联动、电液联动、计算机程控等。产品畅销全国各地，并出口美国、欧洲、非洲、中东、新加坡等地。公司坚持贯彻质量第一、用户至上、诚信为本的经营方针，以可用性、可信性、可靠性的三性为目标，创建“五洲”一流名牌，以优秀的质量、优惠的价格、优良的售后服务为国家经济建设服务。

The company was established in 1978, which is a technological professional valve manufacturer. Presently it covers 36,000sqm including building space of 25,200sqm, and owns 256 employees involving 46 senior & intermediate technicians. Also it developed CAD & CAM designing and ERP Planned Administration System of Enterprise's Resource. In addition, the company is in possession of fixed assets of RMB 78,000,000 Yuan (about USD 9,500,000) with 116 sets of equipments such as processing center, numerical machine tools and metal-machining facility, 45 sets of valve comprehensive performance test equipments consisting of physico-chemical inspection and NDE facility and 22 sets of crane and transportation equipment. It is a council unit of China Valve Association, Zhejiang Provincial High & new-tech Enterprise, Key High & new-tech Industrialized Unit of Zhejiang Province and Technology Advanced Enterprise. The company has acquired ISO 9001 certificate (the current version is ISO 2000) from DNV (Det Norske Veritas), API-6D certificate issued by American Petroleum Institute and CE certificate issued by TUV. Moreover, it is the pointing supply member unit of China Petrochemical Group Material Equipment Co., China Petroleum & Natural Gas Group Co., and Shanghai Baoshan Iron & steel plant. The hard-sealed high temp. serial ball valves won the international invention Urika Gold Prize, national patent and was authorized as Grade I advanced products and National key project products by National Science & technology Ministry, the variable eccentric butterfly valve won the Gold prize of patent new products and the gate & globe valves have been approved as Grade-I

products by National Technology Surveillance Bureau.

The company provides high & medium pressure ball valves, butterfly valves, parallel gate valves, gate valves, globe valves, check valves and power station valves for petroleum, chemical engineering, metallurgy, light industry, power station, city building, water supply system, oil transportation, gas feeding, natural gas and long distance transportation pipes projects. In addition, the company supplies over 1000 sorts (8 main catena) of non-standard and special valves some of whose parts are imported from other countries. The products diameter range is DN15~3000mm (1/2"~120"), the nominal pressure range is 1.6 Mpa~42.0 Mpa (Class 150~2500), and the operating temp. range is -196℃~750℃. The valve material contains carbon steel, brass, stainless steel, heat-resist alloy steel, Monel, low-temp steel and other special steels. The driving device includes lever operator, electric driving, pneumatic driving, gear transmission, worm wheel and worm handle transmission, air-liquid driving, electric-liquid driving and computer program controlled device etc.. Our products are very popular in the whole nation and exported to America, Europe, Africa, Mid-east area and Singapore etc. The company holds "Quality first, Customer utmost and honesty base" as its management policy while it sets "Usability, creditability and reliability" as its target. Wuzhou Co. will welcome customers from domestic & abroad with first-rate brand, favorable prices and excellent after-sale service.

◇国家高新技术企业◇国家阀门标准编制单位  
High-New Technology Enterprise of China, National valve standard authorized unit



公司属国家高新技术企业，重点国家级火炬计划项目，浙江省名牌产品，省特种阀门研发中心，中国阀协理事单位，国家阀门标准编制单位，省重大高新技术产业化项目单位，科技先进企业。公司已取得DNV（挪威船级社）ISO9001（2000版本）国际质量体系认证证书和美国石油学会API-6D证书，并取得TU V德国莱茵公司CE认证和国家质量技术监督局压力管理元件制造单位AZ安全注册。

The company is belonged to state high-new technique enterprise, stress national torch plan item, Zhejiang famous brand products, Vice Director Unit of China Valve Association and developing center; Province significant high-new technique industrialization item unit; advanced science and technology enterprise. The company has gained ISO9001:2000 international quality system authentication of DNV authenticate and API-6D of American Petrol Institute, CE authentication and pressure pipe component manufacturing AZ safety registration by state quality technique supervision bureau.

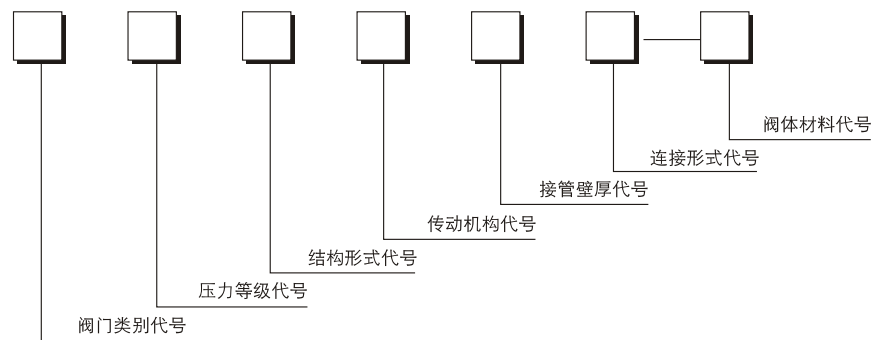
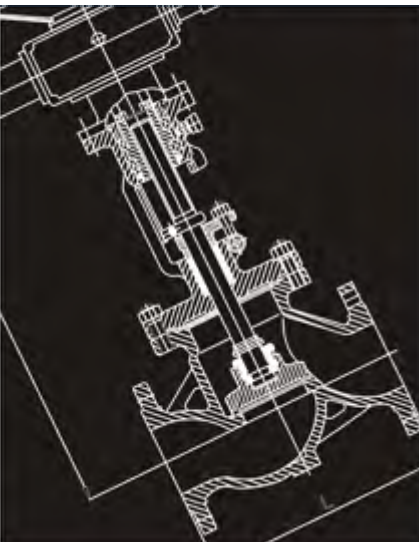
国家高新技术企业  
High-New Technology Enterprise of China  
国家阀门标准编制单位  
National valve standard authorized unit



## 目录 CONTENTS

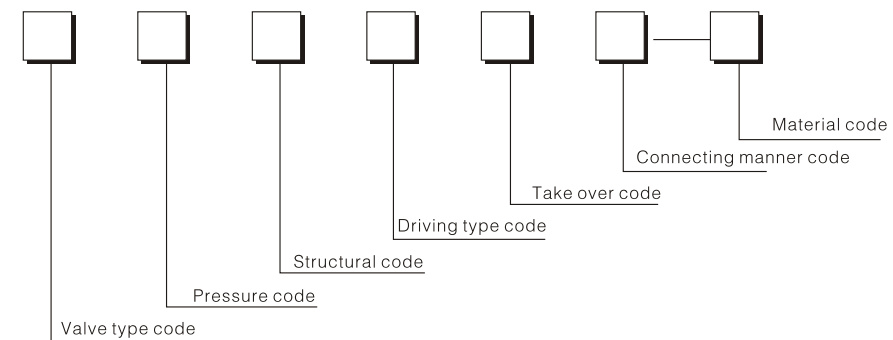
截止阀型号编制说明 Globe Valve Model Schedule illustration	<b>01</b>
法兰连接 GB铸钢截止阀 Flanged Connection GB Cast Steel Globe Valve	<b>03</b>
法兰及对焊连接 ANSI铸钢截止阀 Flanged & Butt-welding Connection ANSI Cast Steel Globe Valve	<b>05</b>
栓盖结构 ANSI铸钢截止阀 Bolted Bonnet ANSI Cast Steel Globe Valve	<b>09</b>
压力密封结构 ANSI铸钢截止阀 Pressure Sealed ANSI Cast Steel Globe Valve	<b>10</b>
锻钢截止阀 Forged Steel Globe Valve	<b>12</b>
整体钢制管法兰 Integral Steel Pipe Flange	<b>18</b>
对接焊端 Butt-welding Ends	<b>25</b>

## 截止阀型号编制说明 Globe valve model schedule illustration



★ 阀门类别代号	J - 截止阀																																			
★ 压力等级代号	2 - Class150 3 - Class300 5 - Class600 7 - Class900 8 - Class1500 9 - Class2500 2a - 1.6MPa 3a - 2.5MPa 4a - 4.0MPa 5a - 6.4MPa 6a - 10.0MPa 7a - 16.0MPa																																			
★ 结构形式代号	6 - BB-BG-OS&Y (螺栓连接阀盖、螺栓连接压盖、明杆支架式) 8 - PS-BG-OS&Y (压力密封阀盖、螺栓连接压盖、明杆支架式)																																			
★ 传动机构代号	A - 电动    B - 气动    C - 伞齿轮传动 (手动略)																																			
★ 接管壁厚代号	<table border="1"> <thead> <tr> <th>代号</th> <th>壁厚</th> <th>代号</th> <th>壁厚</th> <th>代号</th> <th>壁厚</th> </tr> </thead> <tbody> <tr> <td>S1</td> <td>SCH10</td> <td>S4</td> <td>SCH40</td> <td>S7</td> <td>SCH120</td> </tr> <tr> <td>S2</td> <td>SCH20</td> <td>S5</td> <td>SCH60</td> <td>S8</td> <td>SCH140</td> </tr> <tr> <td>S3</td> <td>SCH30</td> <td>S6</td> <td>SCH80</td> <td>S9</td> <td>SCH160</td> </tr> </tbody> </table>						代号	壁厚	代号	壁厚	代号	壁厚	S1	SCH10	S4	SCH40	S7	SCH120	S2	SCH20	S5	SCH60	S8	SCH140	S3	SCH30	S6	SCH80	S9	SCH160						
代号	壁厚	代号	壁厚	代号	壁厚																															
S1	SCH10	S4	SCH40	S7	SCH120																															
S2	SCH20	S5	SCH60	S8	SCH140																															
S3	SCH30	S6	SCH80	S9	SCH160																															
★ 连接形式代号	R - RF (凸面法兰连接)    J - RJ (环槽面法兰连接)    F - MF (凹凸面连接)    W - BW (对焊连接)																																			
★ 阀体材料代号(国际材质代号与下列相应材质代号等同)	<table border="1"> <tbody> <tr> <td>1) 铸造碳钢</td> <td>CC10 - ASTM A216-WCB</td> <td>CF11 - ASTM A352-LCB</td> <td colspan="3"></td> </tr> <tr> <td>2) 铸造合金钢</td> <td>CA20 - ASTM A217-WC1</td> <td>CA21 - ASTM A351-CF8M</td> <td>CA22 - ASTM A217-WC9</td> <td colspan="2"></td> </tr> <tr> <td></td> <td>CA23 - ASTM A217-C5</td> <td>CA24 - ASTM A217-C12</td> <td colspan="3"></td> </tr> <tr> <td>3) 铸造不锈钢</td> <td>CS30 - ASTM A351-CF8</td> <td>CS31 - ASTM A351-CF8M</td> <td>CS32 - ASTM A351-CF8C</td> <td colspan="2"></td> </tr> <tr> <td></td> <td>CS33 - ASTM A351-CF3</td> <td>CS34 - ASTM A351-CF3M</td> <td colspan="3"></td> </tr> </tbody> </table>						1) 铸造碳钢	CC10 - ASTM A216-WCB	CF11 - ASTM A352-LCB				2) 铸造合金钢	CA20 - ASTM A217-WC1	CA21 - ASTM A351-CF8M	CA22 - ASTM A217-WC9				CA23 - ASTM A217-C5	CA24 - ASTM A217-C12				3) 铸造不锈钢	CS30 - ASTM A351-CF8	CS31 - ASTM A351-CF8M	CS32 - ASTM A351-CF8C				CS33 - ASTM A351-CF3	CS34 - ASTM A351-CF3M			
1) 铸造碳钢	CC10 - ASTM A216-WCB	CF11 - ASTM A352-LCB																																		
2) 铸造合金钢	CA20 - ASTM A217-WC1	CA21 - ASTM A351-CF8M	CA22 - ASTM A217-WC9																																	
	CA23 - ASTM A217-C5	CA24 - ASTM A217-C12																																		
3) 铸造不锈钢	CS30 - ASTM A351-CF8	CS31 - ASTM A351-CF8M	CS32 - ASTM A351-CF8C																																	
	CS33 - ASTM A351-CF3	CS34 - ASTM A351-CF3M																																		

## 截止阀型号编制说明 Globe valve model schedule illustration



★ Valve type code	J - Globe valve																																			
★ Pressure code	2 - Class150 3 - Class300 5 - Class600 7 - Class900 8 - Class1500 9 - Class2500 2a - 1.6MPa 3a - 2.5MPa 4a - 4.0MPa 5a - 6.4MPa 6a - 10.0MPa 7a - 16.0MPa																																			
★ Structural code	6 - BB-BG-OS&Y ( Bolted bonnet, Bolted gland OS&Y ) 8 - PS-BG-OS&Y ( Pressure bonnet, Bolted gland OS&Y )																																			
★ Driving type code	A - Electric driving    B - Air motor driving    C - Gear driving																																			
★ Take over code	<table border="1"> <thead> <tr> <th>Code</th> <th>Thickness</th> <th>Code</th> <th>Thickness</th> <th>Code</th> <th>Thickness</th> </tr> </thead> <tbody> <tr> <td>S1</td> <td>SCH10</td> <td>S4</td> <td>SCH40</td> <td>S7</td> <td>SCH120</td> </tr> <tr> <td>S2</td> <td>SCH20</td> <td>S5</td> <td>SCH60</td> <td>S8</td> <td>SCH140</td> </tr> <tr> <td>S3</td> <td>SCH30</td> <td>S6</td> <td>SCH80</td> <td>S9</td> <td>SCH160</td> </tr> </tbody> </table>						Code	Thickness	Code	Thickness	Code	Thickness	S1	SCH10	S4	SCH40	S7	SCH120	S2	SCH20	S5	SCH60	S8	SCH140	S3	SCH30	S6	SCH80	S9	SCH160						
Code	Thickness	Code	Thickness	Code	Thickness																															
S1	SCH10	S4	SCH40	S7	SCH120																															
S2	SCH20	S5	SCH60	S8	SCH140																															
S3	SCH30	S6	SCH80	S9	SCH160																															
★ Connecting manner code	R - RF ( Raised face )    J - RJ ( Ring joint )    F - MF ( Male-Female face ) W - BW ( Butt welded )																																			
★ Body material code	<table border="1"> <tbody> <tr> <td>1) Cast carbon steel</td> <td>CC10 - ASTM A216-WCB</td> <td>CF11 - ASTM A352-LCB</td> <td colspan="3"></td> </tr> <tr> <td>2) Cast alloy steel</td> <td>CA20 - ASTM A217-WC1</td> <td>CA21 - ASTM A351-CF8M</td> <td>CA22 - ASTM A217-WC9</td> <td colspan="2"></td> </tr> <tr> <td></td> <td>CA23 - ASTM A217-C5</td> <td>CA24 - ASTM A217-C12</td> <td colspan="3"></td> </tr> <tr> <td>3) Cast stainless steel</td> <td>CS30 - ASTM A351-CF8</td> <td>CS31 - ASTM A351-CF8M</td> <td>CS32 - ASTM A351-CF8C</td> <td colspan="2"></td> </tr> <tr> <td></td> <td>CS33 - ASTM A351-CF3</td> <td>CS34 - ASTM A351-CF3M</td> <td colspan="3"></td> </tr> </tbody> </table>						1) Cast carbon steel	CC10 - ASTM A216-WCB	CF11 - ASTM A352-LCB				2) Cast alloy steel	CA20 - ASTM A217-WC1	CA21 - ASTM A351-CF8M	CA22 - ASTM A217-WC9				CA23 - ASTM A217-C5	CA24 - ASTM A217-C12				3) Cast stainless steel	CS30 - ASTM A351-CF8	CS31 - ASTM A351-CF8M	CS32 - ASTM A351-CF8C				CS33 - ASTM A351-CF3	CS34 - ASTM A351-CF3M			
1) Cast carbon steel	CC10 - ASTM A216-WCB	CF11 - ASTM A352-LCB																																		
2) Cast alloy steel	CA20 - ASTM A217-WC1	CA21 - ASTM A351-CF8M	CA22 - ASTM A217-WC9																																	
	CA23 - ASTM A217-C5	CA24 - ASTM A217-C12																																		
3) Cast stainless steel	CS30 - ASTM A351-CF8	CS31 - ASTM A351-CF8M	CS32 - ASTM A351-CF8C																																	
	CS33 - ASTM A351-CF3	CS34 - ASTM A351-CF3M																																		

# 法兰连接 GB铸钢截止阀 FLANGED CONNECTION GB CAST STEEL GLOBE VALVE

## 产品结构特征

法兰连接截止阀适用于公称压力PN1.6~16.0MPa, 工作温度-46~550℃的石油、化工、制药、化肥、电力行业等各种工况的管路上, 切断或接通管路介质。

其主要结构特点有:

- 1、产品结构合理、密封可靠、性能优良、造型美观。
- 2、密封面堆焊Co基硬质合金, 耐磨、耐蚀、抗擦伤性能好、使用寿命长。
- 3、阀杆经调质及表面氮化处理, 有良好的抗腐蚀性及抗擦伤性。
- 4、阀门设有倒密封结构, 密封可靠。
- 5、零件材质及法兰尺寸可根据实际工况或用户要求合理选配, 满足各种工程需要。

## 产品规格

型号	压力	传动方式	公称通径														
			15	20	25	32	40	50	65	80	100	125	150	200	250	300	
J2a6R	1.6MPa	手动	☆	☆	☆	☆	☆	☆	☆	☆	☆	☆	☆	☆	☆	☆	☆
J2a6AR	1.6MPa	电动	-	-	-	-	-	☆	☆	☆	☆	☆	☆	☆	☆	☆	☆
J3a6R	2.5MPa	手动	☆	☆	☆	☆	☆	☆	☆	☆	☆	☆	☆	☆	☆	☆	☆
J3a6AR	2.5MPa	电动	-	-	-	-	-	☆	☆	☆	☆	☆	☆	☆	☆	☆	☆
J4a6F	4.0MPa	手动	☆	☆	☆	☆	☆	☆	☆	☆	☆	☆	☆	☆	-	-	-
J4a6AF	4.0MPa	电动	☆	☆	☆	☆	☆	☆	☆	☆	☆	☆	☆	☆	-	-	-
J5a6F	6.4MPa	手动	☆	☆	☆	☆	☆	☆	☆	☆	☆	☆	☆	☆	-	-	-
J5a6AF	6.4MPa	电动	☆	☆	☆	☆	☆	☆	☆	☆	☆	☆	☆	☆	-	-	-
J6a6J	10.0MPa	手动	☆	☆	☆	☆	☆	☆	☆	☆	☆	☆	☆	☆	-	-	-
J6a6AJ	10.0MPa	电动	☆	☆	☆	☆	☆	☆	☆	☆	☆	☆	☆	☆	-	-	-
J7a6J	16.0MPa	手动	☆	☆	☆	☆	☆	☆	☆	☆	☆	☆	☆	☆	-	-	-
J7a6AJ	16.0MPa	电动	☆	☆	☆	☆	☆	☆	☆	☆	☆	☆	☆	☆	-	-	-

## 产品性能规范

公称压力(MPa)	壳体试验压力(MPa)	密封试验(MPa)	上密封试验(MPa)	气密封试验(MPa)	温度	适用介质
1.6	1.5×PN	1.1×PN	1.1×PN	0.4~0.7	≤550℃	水、油、气
2.5	1.5×PN	1.1×PN	1.1×PN	0.4~0.7	≤550℃	水、油、气
4.0	1.5×PN	1.1×PN	1.1×PN	0.4~0.7	≤550℃	水、油、气
6.4	1.5×PN	1.1×PN	1.1×PN	0.4~0.7	≤550℃	水、油、气
10.0	1.5×PN	1.1×PN	1.1×PN	0.4~0.7	≤550℃	水、油、气
16.0	1.5×PN	1.1×PN	1.1×PN	0.4~0.7	≤550℃	水、油、气

注: PN为主体材料在38℃时允许的额定工作压力

# 法兰连接 GB铸钢截止阀 FLANGED CONNECTION GB CAST STEEL GLOBE VALVE

## PRODUCTS DESIGN FEATURES

Flanged connection globe valves are used to cut or connect the pipe media under pressures between PN1.6~16.0MPa, working temperatures between-46~550℃, in oil industry, chemical industry, pharmaceuticals, fertilizer, and power industry.

Main structural features:

1. Rational structure, reliable sealing, excellent performance, pretty appearance.
2. Co-radix alloy welded sealing surface, anti-wearing, erosion-proof abrasion-proof and longer use life.
3. The surface and the adjusting media of the valve shaft are nitrogenized so that it is erosion and abrasion resistant.
4. There is backward sealing structure in the valve, so the sealing is reliable.
5. The material of the fillings and the flange sizes can be chose and matched according to the applications and the requirements of the users. That can satisfies all kinds of working requirements.

## PRODUCTS SPECIFICATION

Model	Pressure	Driving manner	Nominal size														
			15	20	25	32	40	50	65	80	100	125	150	200	250	300	
J2a6R	1.6MPa	Hand operated	☆	☆	☆	☆	☆	☆	☆	☆	☆	☆	☆	☆	☆	☆	☆
J2a6AR	1.6MPa	Electric Drive	-	-	-	-	-	☆	☆	☆	☆	☆	☆	☆	☆	☆	☆
J3a6R	2.5MPa	Hand operated	☆	☆	☆	☆	☆	☆	☆	☆	☆	☆	☆	☆	☆	☆	☆
J3a6AR	2.5MPa	Electric Drive	-	-	-	-	-	☆	☆	☆	☆	☆	☆	☆	☆	☆	☆
J4a6F	4.0MPa	Hand operated	☆	☆	☆	☆	☆	☆	☆	☆	☆	☆	☆	☆	☆	-	-
J4a6AF	4.0MPa	Electric Drive	☆	☆	☆	☆	☆	☆	☆	☆	☆	☆	☆	☆	☆	-	-
J5a6F	6.4MPa	Hand operated	☆	☆	☆	☆	☆	☆	☆	☆	☆	☆	☆	☆	☆	-	-
J5a6AF	6.4MPa	Electric Drive	☆	☆	☆	☆	☆	☆	☆	☆	☆	☆	☆	☆	☆	-	-
J6a6J	10.0MPa	Hand operated	☆	☆	☆	☆	☆	☆	☆	☆	☆	☆	☆	☆	☆	-	-
J6a6AJ	10.0MPa	Electric Drive	☆	☆	☆	☆	☆	☆	☆	☆	☆	☆	☆	☆	☆	-	-
J7a6J	16.0MPa	Hand operated	☆	☆	☆	☆	☆	☆	☆	☆	☆	☆	☆	☆	☆	-	-
J7a6AJ	16.0MPa	Electric Drive	☆	☆	☆	☆	☆	☆	☆	☆	☆	☆	☆	☆	☆	-	-

## PRODUCTS PERFORMANCE SPECIFICATION

Nominal Pressure(MPa)	Intensity test pressure(MPa)	Sealing test pressure(MPa)	Back seal test pressure(MPa)	Gas test pressure(MPa)	Temperature	Medium
1.6	1.5×PN	1.1×PN	1.1×PN	0.4~0.7	≤550℃	Water, oil & gas
2.5	1.5×PN	1.1×PN	1.1×PN	0.4~0.7	≤550℃	Water, oil & gas
4.0	1.5×PN	1.1×PN	1.1×PN	0.4~0.7	≤550℃	Water, oil & gas
6.4	1.5×PN	1.1×PN	1.1×PN	0.4~0.7	≤550℃	Water, oil & gas
10.0	1.5×PN	1.1×PN	1.1×PN	0.4~0.7	≤550℃	Water, oil & gas
16.0	1.5×PN	1.1×PN	1.1×PN	0.4~0.7	≤550℃	Water, oil & gas

Notes :PN is requested pressure for the body under the 38℃

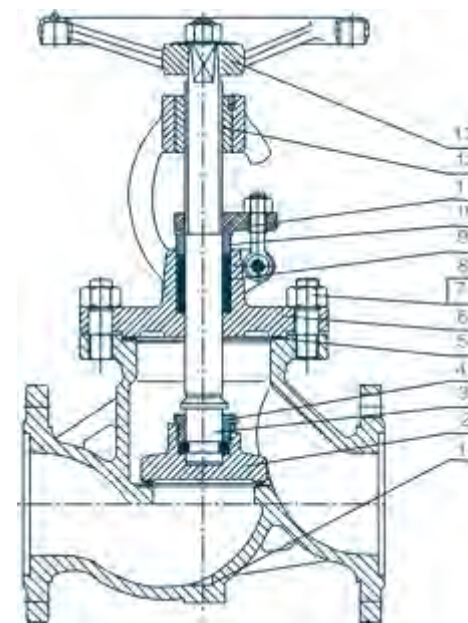


## 法兰连接 GB铸钢截止阀 FLANGED CONNECTION GB CAST STEEL GLOBE VALVE

### 技术规范 Technical specification

结构形式 Structural Formation	BB-BG-OS&Y
驱动方式 Driving Manner	手动、电动 Hand-operated、Electric-driving
设计标准 Design Standard	GB/T 12235
结构长度 Face to Face	GB/T 12221
连接法兰 Flanged Ends	GB/T 9113、JB/T 79、HG 20592
试验和检验 Test & Inspection	JB/T 9092

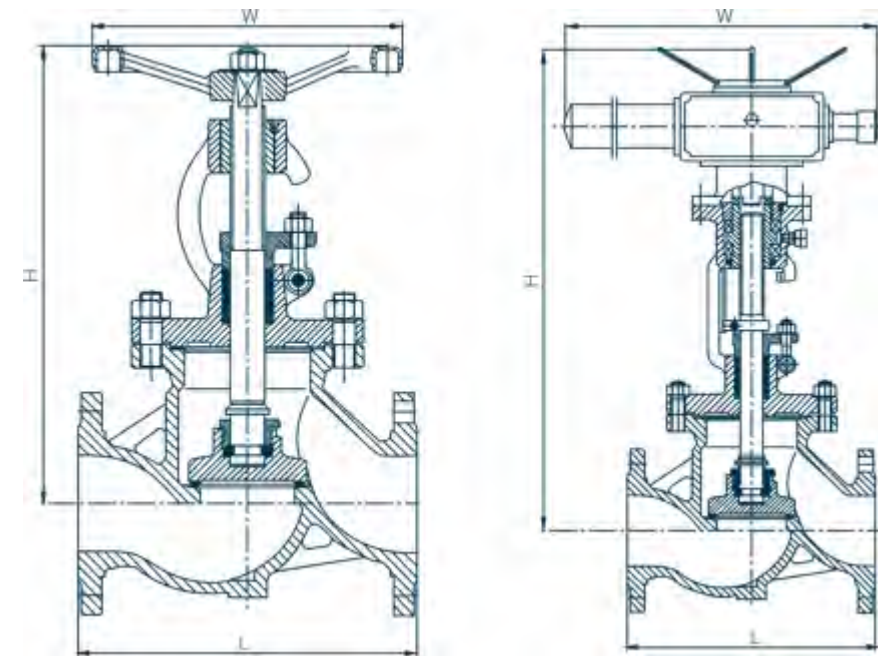
注：系列阀门连接法兰尺寸可根据用户要求设计制造。  
Notes: The sizes of serial valve connecting flange can be designed according to customers' requirement.



### 主要零件材质 Form of major parts materials

序号 No.	零件名称 Part name	材质 Material
1	阀体 Body	WCB WC1、WC6、WC9、C5 CF8、CF8M、CF8C、CF3、CF3M
2	阀瓣 Disc	25、1Cr13、2Cr13 1Cr18Ni9Ti、0Cr18Ni12Mo2Ti 20Cr1Mo1V、25Cr2MoV
3	阀杆 Stem	1Cr13、2Cr13 1Cr18Ni9Ti、0Cr18Ni12Mo2Ti 20Cr1Mo1V、25Cr2MoV
4	阀瓣盖 Flat cover	25、1Cr13、2Cr13 1Cr18Ni9Ti、0Cr18Ni12Mo2Ti 20Cr1Mo1V、25Cr2MoV
5	垫片 Gasket	柔性石墨 + 不锈钢 Graphite & stainless steel
6	阀盖 Bonnet	WCB WC1、WC6、WC9、C5 CF8、CF8M、CF8C、CF3、CF3M
7	双头螺栓 Bolt	35CrMoA、 0Cr18Ni9、0Cr17Ni12Mo2、25Cr2MoV
8	螺母 Nut	45、35CrMoA、 0Cr18Ni9、0Cr17Ni12Mo2、25Cr2MoV
9	填料 Packing	柔性石墨 Flexible Graphite
10	填料压套 Gland	1Cr13、2Cr13 1Cr18Ni9Ti、0Cr18Ni12Mo2Ti
11	填料压盖 Gland flange	WCB CF8、CF8M、CF8C、CF3、CF3M
12	阀杆螺母 Stem nut	铜合金 Copper alloy
13	手轮 Hand wheel	KTH 330-08

## 法兰连接 GB铸钢截止阀 FLANGED CONNECTION GB CAST STEEL GLOBE VALVE



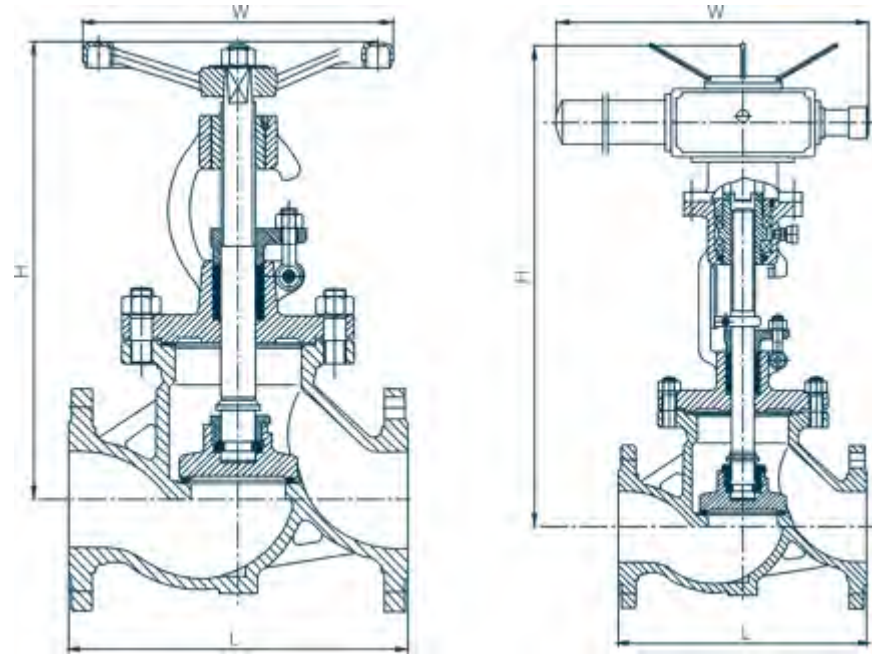
### 尺寸及重量 Size & weight

PN1.6~2.5MPa

型号Model	J2a6(A) R-CC10、J2a6(A) R-CA20、J2a6(A) R-CS30														
压力Pressure	1.6MPa														
口径Size	15	20	25	32	40	50	65	80	100	125	150	200	250	300	
	L	130	150	160	180	200	230	290	310	350	400	480	600	650	750
手动 Hand Operated	H	218	260	275	282	332	350	405	360	412	462	510	715	789	925
	W	120	140	160	180	200	240	280	280	320	360	400	400	450	500
	重量Weight	5.3	7.2	7.5	8.7	12.4	14	22.5	29.5	34	80	95	178	438	650
电动 Electric Driving	H	-	-	-	-	-	642	695	712	772	785	812	965	1138	1285
	W	-	-	-	-	-	960	960	960	960	960	960	1325	1325	1370
	重量Weight	-	-	-	-	-	50	62	65	73	120	212	325	552	783
	电动装置 Electric Device	-	-	-	-	-	DZW10A	DZW10A	DZW10A	DZW15A	DZW20A	DZW30A	DZW45A	DZW60A	DZW90

型号Model	J3a6(A) R-CC10、J3a6(A) R-CA20、J3a6(A) R-CS30														
压力Pressure	2.5MPa														
口径Size	15	20	25	32	40	50	65	80	100	125	150	200	250	300	
	L	130	150	160	180	200	230	290	310	350	400	480	600	650	750
手动 Hand Operated	H	218	260	275	282	332	350	405	360	412	462	510	715	789	925
	W	120	140	160	180	200	240	280	280	320	360	400	400	450	500
	重量Weight	5.5	7.4	7.8	8.7	12.4	15	24.5	31	36	88	98	183	443	654
电动 Electric Driving	H	-	-	-	-	-	642	695	712	772	785	812	965	1138	1285
	W	-	-	-	-	-	960	960	960	960	960	1325	1325	1370	1370
	重量Weight	-	-	-	-	-	52	63	68	75	122	215	327	555	786
	电动装置 Electric Device	-	-	-	-	-	DZW10A	DZW10A	DZW15A	DZW20A	DZW30A	DZW45A	DZW60A	DZW90	DZW120

法兰连接 GB铸钢截止阀  
FLANGED CONNECTION GB CAST STEEL GLOBE VALVE

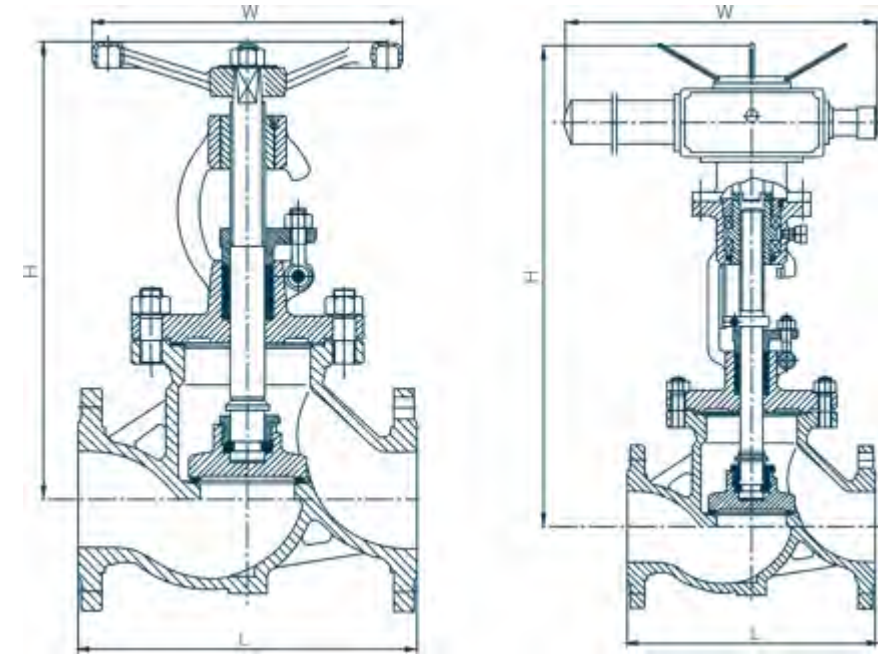


尺寸及重量 Size & weight PN4.0~6.4MPa

型号Model		J4a6(A) F-CC10、J4a6(A) F-CA20、J4a6(A) F-CS30											
压力Pressure		4.0MPa											
口径Size		15	20	25	32	40	50	65	80	100	125	150	200
	L	130	150	160	180	200	230	290	310	350	400	480	600
手动 Hand Operated	H	235	278	288	305	358	378	408	435	482	555	613	725
	W	120	140	160	180	200	240	280	320	360	400	400	400
	重量Weight	5.9	7.5	8.0	8.9	12.5	15.2	24.6	32	40	90	105	189
电动 Electric Driving	H	-	-	-	-	-	642	695	712	772	785	812	965
	W	-	-	-	-	-	960	960	960	960	1325	1325	1370
	重量Weight	-	-	-	-	-	61	78	85	105	205	228	400
	电动装置 Electric Device	-	-	-	-	-	DZW10A	DZW10A	DZW20A	DZW30A	DZW45A	DZW60A	DZW90

型号Model		J5a6(A) F-CC10、J5a6(A) F-CA20、J5a6(A) F-CS30											
压力Pressure		6.4MPa											
口径Size		15	20	25	32	40	50	65	80	100	125	150	200
	L	170	190	210	230	260	300	340	380	430	500	556	650
手动 Hand Operated	H	218	260	275	325	360	410	450	485	535	630	650	810
	W	140	160	180	200	240	280	320	360	400	400	450	500
	重量Weight	10.2	13.5	15	20	25	36	47	55	123	130	155	285
电动 Electric Driving	H	-	-	-	-	-	710	752	785	835	1030	1065	1215
	W	-	-	-	-	-	960	960	960	1325	1325	1370	1370
	重量Weight	-	-	-	-	-	65	78	85	173	245	300	420
	电动装置 Electric Device	-	-	-	-	-	DZW10A	DZW15A	DZW30A	DZW45A	DZW60A	DZW90	DZW120

法兰连接 GB铸钢截止阀  
FLANGED CONNECTION GB CAST STEEL GLOBE VALVE



尺寸及重量 Size & weight PN10.0~16.0MPa

型号Model		J6a6(A) J-CC10、J6a6(A) J-CA20、J6a6(A) J-CS30											
压力Pressure		10.0MPa											
口径Size		15	20	25	32	40	50	65	80	100	125	150	200
	L	170	190	210	230	260	300	340	380	430	500	550	650
手动 Hand Operated	H	220	260	275	325	360	415	455	485	538	635	650	812
	W	120	140	160	180	200	240	280	280	320	360	400	400
	重量Weight	10.5	14	15.5	21	26.5	27	49	56	125	134	158	288
电动 Electric Driving	H	-	-	-	-	-	715	760	788	840	1032	1072	1220
	W	-	-	-	-	-	960	960	1325	1325	1370	1370	1395
	重量Weight	-	-	-	-	-	82	105	178	195	288	450	855
	电动装置 Electric Device	-	-	-	-	-	DZW20A	DZW30A	DZW45A	DZW60A	DZW90	DZW120	DZW180

型号Model		J7a6(A) J-CC10、J7a6(A) J-CA20、J7a6(A) J-CS30											
压力Pressure		16.0MPa											
口径Size		15	20	25	32	40	50	65	80	100	125	150	125
	L	170	190	210	230	260	300	340	380	430	500	550	650
手动 Hand Operated	H	220	262	275	326	362	417	455	485	540	-	-	-
	W	140	160	180	200	240	250	320	400	450	-	-	-
	重量Weight	12.5	15.5	18	22	35	53	72	101	120	-	-	-
电动 Electric Driving	H	-	-	-	-	-	745	825	940	1152	1185	1230	1500
	W	-	-	-	-	-	960	1325	1370	1370	1435	1435	1785
	重量Weight	-	-	-	-	-	95	165	220	2403	500	678	1125
	电动装置 Electric Device	-	-	-	-	-	DZW30A	DZW45A	DZW90	DZW120	DZW180	DZW250	DZW350

# 法兰及对接连接 ANSI铸钢截止阀 FLANGED & BUTT-WELDING CONNECTION ANSI CAST STEEL GLOBE VALVE

## 产品结构特征 Products design features

ANSI系列铸钢截止阀适用于Class150~2500, 工作温度≤600℃的石油、化工、火力电站等各种工况的管路上, 切断或接通管路介质。其主要结构特点有:

- 1、产品设计制造按ASME B16.34及BS 1873标准, 结构合理、密封可靠、性能优良、造型美观。
- 2、密封面堆焊Co基硬质合金, 耐磨、耐蚀、抗擦伤性能好、使用寿命长。
- 3、阀杆经调质及表面氮化处理, 有良好的抗腐蚀性及抗擦伤性。
- 4、压力≥Class1500中腔采用自紧式密封结构, 密封性随内压升高而升高, 保证了密封的可靠性。
- 5、阀门设有倒密封结构, 密封可靠。
- 6、零件材质及法兰、对接端尺寸可根据实际工况或用户要求合理选配, 满足各种工程需要。

ANSI cast steel globe valves are used to cut or connect the pipe medium in Class150~2500 and working temperatures ≤600°C, in oil & chemical industry, thermal power station.

Main structural features:

1. The products designs are in accordance with the ANSI B16.34 and BS 1873, with rational structure, reliable seal, excellent performance, and pretty appearance.
2. Co-radix alloy welded sealing surface, anti-wearing, erosion-proof abrasion-proof and longer use life.
3. The surface and the adjusting media of the valve shaft are nitrogenized so that it is erosion and abrasion resistant.
4. The central cavity with pressures ≥ Class1500 adopts self-tightening sealing structure, which means that the sealing will rise with the internal pressure, and the sealing is highly reliable.
5. There is backward sealing structure in the valve, so the sealing is reliable.
6. The material of the parts and the flange sizes can be chose and matched according to the applications and the requirements of the users. That can satisfies all kinds of working requirements.

## 产品规格 Products specification

型号 Model	连接形式 Connecting type	压力等级 Class	公称通径 Nominal size															
			1/2	3/4	1	1 1/4	1 1/2	2	2 1/2	3	4	6	8	10	12	14	16	
J26R	法兰连接 Flanged ends	150	☆	☆	☆	☆	☆	☆	☆	☆	☆	☆	☆	☆	☆	☆	☆	
J36R	法兰连接 Flanged ends	300	☆	☆	☆	☆	☆	☆	☆	☆	☆	☆	☆	☆	☆	☆	☆	
J56J	法兰连接 Flanged ends	600	-	-	-	-	☆	☆	☆	☆	☆	☆	☆	-	-	-	-	
J76J	法兰连接 Flanged ends	900	-	-	-	-	☆	☆	☆	☆	☆	☆	☆	-	-	-	-	
J78J	法兰连接 Flanged ends	900	-	-	-	-	☆	☆	☆	☆	-	-	-	-	-	-	-	
J88J	法兰连接 Flanged ends	1500	-	-	-	-	☆	☆	☆	☆	-	-	-	-	-	-	-	
J98J	法兰连接 Flanged ends	2500	-	-	-	-	☆	☆	☆	☆	-	-	-	-	-	-	-	
J78A(C)J	法兰连接 Flanged ends	900	-	-	-	-	-	-	-	☆	☆	☆	☆	-	-	-	-	
J88A(C)J	法兰连接 Flanged ends	1500	-	-	-	-	-	-	-	☆	☆	☆	☆	-	-	-	-	
J98A(C)J	法兰连接 Flanged ends	2500	-	-	-	-	-	-	-	☆	☆	☆	-	-	-	-	-	
J78A(C)S7W	对接连接 Butt-welding ends	900	-	-	-	-	-	-	-	☆	☆	☆	☆	-	-	-	-	
J88A(C)S7W	对接连接 Butt-welding ends	1500	-	-	-	-	-	-	-	☆	☆	☆	☆	-	-	-	-	
J98A(C)S9W	对接连接 Butt-welding ends	2500	-	-	-	-	-	-	-	☆	☆	☆	-	-	-	-	-	

## 产品性能规范 Products performance specification

压力等级 Pressure grade	壳体试验压力(MPa) Intensity test pressure	密封试验(MPa) Sealing test pressure	上密封试验(MPa) Back seal test pressure	气密封试验(MPa) Gas test pressure	温度 Temperature	适用介质 Medium
150	1.5 × PN	1.1 × PN	1.1 × PN	0.4~0.7	≤600℃	水、油、气 Water, oil & gas
300	1.5 × PN	1.1 × PN	1.1 × PN	0.4~0.7	≤600℃	水、油、气 Water, oil & gas
600	1.5 × PN	1.1 × PN	1.1 × PN	0.4~0.7	≤600℃	水、油、气 Water, oil & gas
900	1.5 × PN	1.1 × PN	1.1 × PN	0.4~0.7	≤600℃	水、油、气 Water, oil & gas
1500	1.5 × PN	1.1 × PN	1.1 × PN	0.4~0.7	≤600℃	水、油、气 Water, oil & gas
2500	1.5 × PN	1.1 × PN	1.1 × PN	0.4~0.7	≤600℃	水、油、气 Water, oil & gas

注: PN为主体材料在38℃时允许的额定工作压力  
Notes :PN is requested pressure for the body under the 38℃



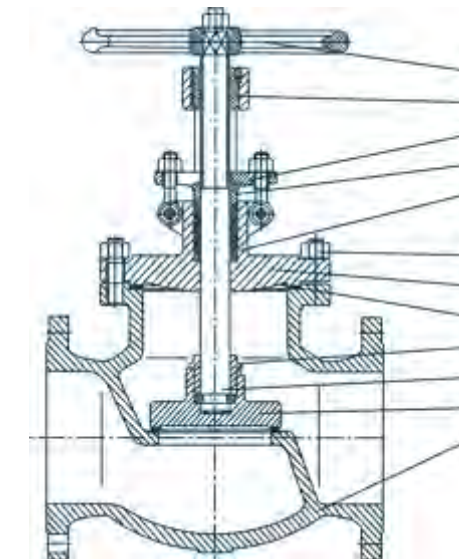
# 栓盖结构 ANSI铸钢截止阀 BOLTED BONNET ANSI CAST STEEL GLOBE VALVE

## 技术规范

结构形式 Structural Formation	BB-BG-OS&Y
驱动方式 Driving	手动Hand-operated
设计标准 Design Standard	ASME B 16.34及BS 1873
结构长度 Face to Face	ASME B 16.10
连接法兰 Flanged Ends	ASME B 16.5
试验和检验 Test & Inspection	API 598

注: 系列阀门连接法兰及对接端尺寸可根据用户要求设计制造。

Notes: The sizes of serial valve connecting flange & butt welding end can be designed according to customers' requirement.

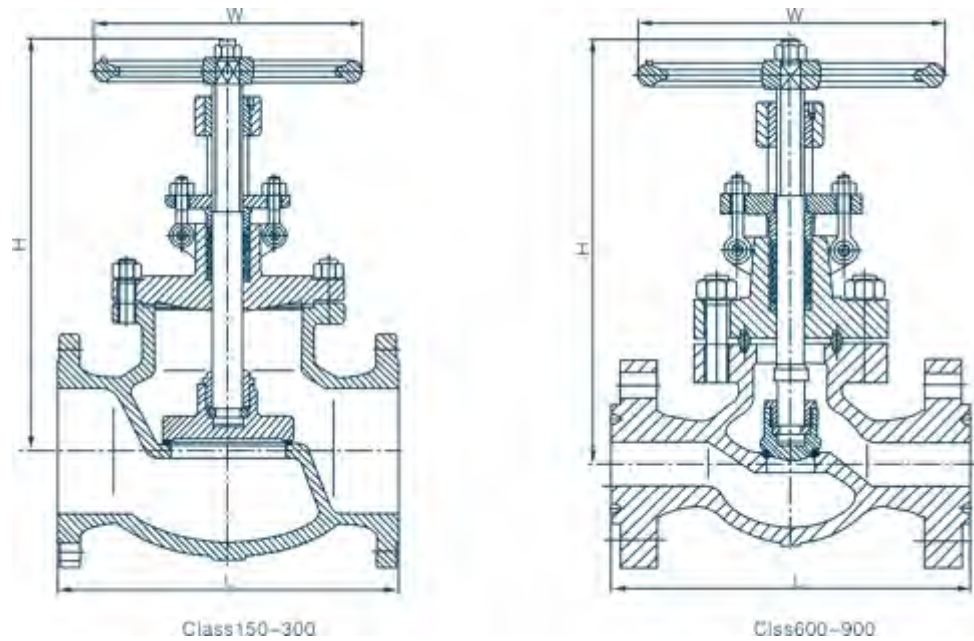


## 主要零件材质 Form of major parts materials

序号 No.	零件名称 Part name	材质 Material
1	阀体 Body	ASTM A216-WCB, ASTM A352-LCB ASTM A217-WC1, WC6, WC9, C5 ASTM A351-CF8, CF8M, CF8C, CF3, CF3M
2	阀瓣 Disc	ASTM A182-F6a, ASTM A182-F22, ASTM A350-LF2 ASTM A182-F304, F316, F321, F304L, F316L
3	阀杆 Stem	ASTM A182-F6a, ASTM A182-F22 ASTM A182-F304, F316, F321, F304L, F316L
4	阀瓣盖 Flat cover	ASTM A182-F6a, ASTM A182-F22, ASTM A350-LF2 ASTM A182-F304, F316, F321, F304L, F316L
5	垫片 Gasket	柔性石墨 + 不锈钢 Graphite & stainless steel
6	阀盖 Bonnet	ASTM A216-WCB, ASTM A352-LCB ASTM A217 WC1, WC6, WC9, C5 ASTM A351 CF8, CF8M, CF8C, CF3, CF3M
7	双头螺柱 Bolt	ASTM A193-B7, A320-B8, A193-B8M, A193-L7
8	螺母 Nut	ASTM A194 2H, A194 8, A194 8M, 194-4
9	填料 Packing	柔性石墨 Flexible Graphite
10	填料压套 Gland	ASTM A276, 410 ASTM A276, 304, 316, 321, 304L, 316L
11	填料压盖 Gland flange	ASTM A216-WCB, ASTM A352-LCB ASTM A351 CF8, CF8M, CF8C, CF3, CF3M
12	阀杆螺母 Stem nut	铜合金 Copper alloy
13	手轮 Hand wheel	ASTM A47-32510

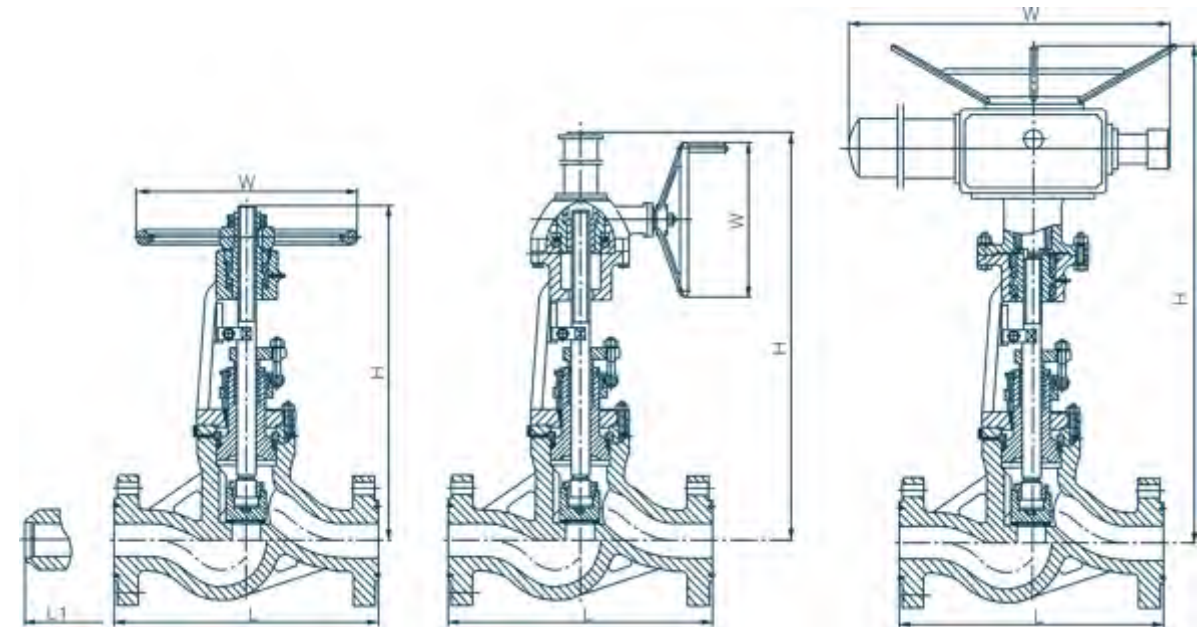


## 栓盖结构 ANSI铸钢截止阀 BOLTED BONNET ANSI CAST STEEL GLOBE VALVE



尺寸及重量Size & weight														Class 150~900				
型号Model		J26R-CC10、J26R-CA20、J26R-CS30																
压力等级Class		150																
通径Size	mm	15	20	25	32	40	50	65	80	100	150	200	250	300	350	400		
	in	1/2	3/4	1	1 1/4	1 1/2	2	2 1/2	3	4	6	8	10	12	14	16		
L		108	117	127	140	165	203	216	241	292	406	495	622	698	787	914		
H		241	241	242	280	286	338	373	400	475	523	587	739	811	950	996		
W		125	125	125	160	160	200	200	250	250	355	450	450	500	600	600		
重量Weight (Kg)		-	-	-	-	-	18	30	36	55	104	200	300	390	610	880		
型号Model		J36R-CC10、J36R-CA20、J36R-CS30																
压力等级Class		300																
通径Size	mm	15	20	25	32	40	50	65	80	100	150	200	250	300	350	400		
	in	1/2	3/4	1	1 1/4	1 1/2	2	2 1/2	3	4	6	8	10	12	14	16		
L		152	178	203	216	229	267	292	318	356	444	559	622	711	762	864		
H		241	241	283	320	322	353	398	422	495	676	912	950	1031	1130	1311		
W		125	125	160	200	200	200	250	280	355	450	450	500	500	600	600		
重量Weight (Kg)		-	-	-	-	-	25	30	52	88	160	259	420	595	876	1010		
型号Model		J56J-CC10、J56J-CA20、J56J-CS30						J76J-CC10、J76J-CA20、J76J-CS30										
压力等级Class		600						900										
通径Size	mm	50	65	80	100	150	200	250	50	65	80	100	150	200	250			
	in	2	2 1/2	3	4	6	8	10	2	2 1/2	3	4	6	8	10			
L		295	334	359	435	562	664	791	372	442	384	461	613	740	842			
H		396	447	495	599	790	1013	1181	589	660	700	795	1107	1184	1243			
W		180	250	250	350	450	500	600	320	320	350	450	600	720	760			
重量Weight (Kg)		35	50	90	150	300	510	850	65	75	120	200	410	790	1300			

## 压力密封结构 ANSI铸钢截止阀 PRESSURE SEALED ANSI CAST STEEL GLOBE VALVE



尺寸及重量 Size & weight									Class900	
型号 Model		法兰连接 Flanged			J78(A、C)J-CC10、J78(A、C) J-CA20、J78(A、C) J-CS30					
		对焊连接 Butt-welding			J78(A、C)S7W-CC10、J78(A、C) S7W-CA20、J78(A、C) S7W-CS30					
压力等级 Class		900								
通径 Size	mm	50	65	80	100	150	200	250		
	in	2	2 1/2	3	4	6	8	10		
法兰连接 Flanged	L	371	422	384	460	613	740	841		
对焊连接 Butt-Welding	L1	368	419	381	457	610	737	838		
手动 Hand Operated	H	470	560	685	830	-	-	-		
	W	350	400	400	500	-	-	-		
重量 Weight (Kg)		110	130	140	230	-	-	-		
齿动 Gear Driving	H	-	-	-	880	1135	1495	1960		
	W	-	-	-	460	460	610	610		
齿轮装置 gear Drive		-	-	-	BA-1	BA-1	BA-2	BA-2		
重量 Weight (Kg)		-	-	-	250	500	900	1200		
电动 Electric Driving	H	-	-	-	880	1135	1495	1960		
	W	-	-	-	809	809	863	863		
转矩 Torque (N.m)		-	-	-	900	1200	1800	2000		
重量 Weight (Kg)		-	-	-	382	635	1155	1455		
*接管壁厚 Pipe Thickness (mm)							SCH120			

注：只有对焊连接时才有此尺寸，配管尺寸可根据用户要求选配。  
The size is come into being only through butt-welded joint, and the size of piping can be selected and allocated according to the requirement of users.

# 压力密封结构 ANSI铸钢截止阀 PRESSURE SEALED ANSI CAST STEEL GLOBE VALVE

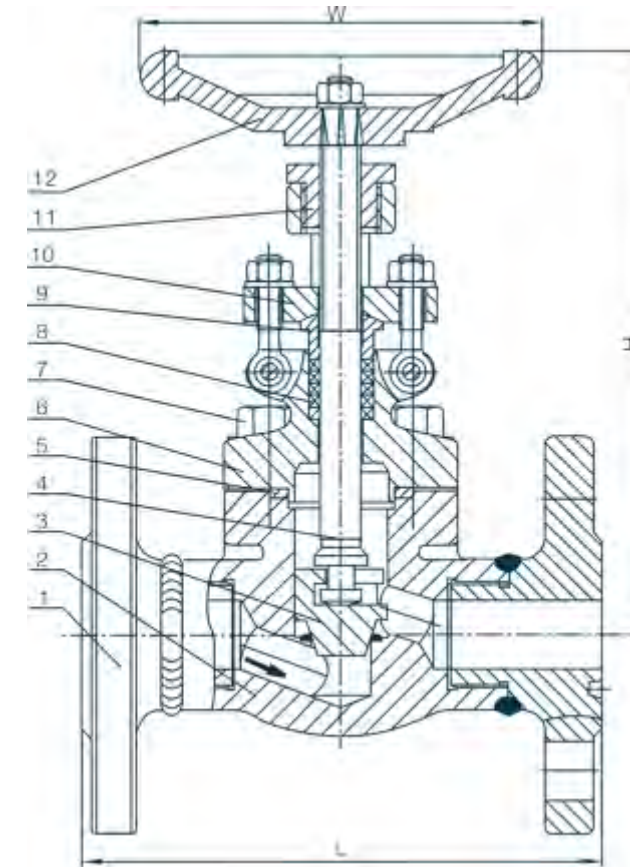
尺寸及重量 Size & weight		Class1500						
型号 Model	法兰连接Flanged	J88(A, C)J-CC10、J88(A, C) J-CA20、J88(A, C) J-CS30						
	对焊连接Butt-welding	J88(A, C)S7W-CC10、J88(A, C) S7W-CA20、J88(A, C) S7W-CS30						
压力等级Class		1500						
通径Size	mm	50	65	80	100	150	200	250
	in	2	2 1/2	3	4	6	8	10
法兰连接Flanged	L	371	422	473	549	711	841	1000
对焊连接Butt-Welding	L1	368	419	470	546	704	831	990
手 动 Hand Operated	H	535	670	838	1193	-	-	-
	W	400	500	500	560	-	-	-
	重量Weight (Kg)	130	175	245	350	-	-	-
齿 动 Gear Driving	H	-	-	-	990	1280	1615	2170
	W	-	-	-	460	610	610	610
	齿轮装置Gear Drive	-	-	-	BA-1	BA-2	BA-2	BA-2
	重量Weight (Kg)	-	-	-	370	720	1370	1675
电 动 Electric Driving	H	-	-	-	880	1135	1495	1960
	W	-	-	-	809	863	863	863
	转矩Torque(N.m)	-	-	-	1200	1800	863	863
	重量Weight (Kg)	-	-	-	505	855	2500	2500
*接管壁厚Pipe Thickness(mm)		SCH120						

注：只有对焊连接时才有此尺寸，配管尺寸可根据用户要求选配。  
The size is come into being only through butt-welded joint, and the size of piping can be selected and allocated according to the requirement of users.

尺寸及重量 Size & weight		Class2500						
型号 Model	法兰连接Flanged	J98(A, C)J-CC10、J98(A, C) J-CA20、J98(A, C) J-CS30						
	对焊连接Butt-welding	J98(A, C)S7W-CC10、J98(A, C) S9W-CA20、J98(A, C) S9W-CS30						
压力等级Class		2500						
通径Size	mm	50	65	80	100	150	200	
	in	2	2 1/2	3	4	6	8	
法兰连接Flanged	L	454	514	584	683	927	1038	
对焊连接Butt-Welding	L1	451	508	578	673	814	1022	
手 动 Hand Operated	H	650	840	990	1210	-	-	
	W	500	560	600	680	-	-	
	重量Weight (Kg)	180	250	350	580	-	-	
齿 动 Gear Driving	H	-	-	-	1090	1470	1735	
	W	-	-	-	610	610	610	
	齿轮装置Gear Drive	-	-	-	BA-2	BA-2	BA-2	
	重量Weight (Kg)	-	-	-	615	990	1620	
电 动 Electric Driving	H	-	-	-	1090	1470	1735	
	W	-	-	-	863	863	960	
	转矩Torque(N.m)	-	-	-	1800	2500	3000	
	重量Weight (Kg)	-	-	-	870	1248	2050	
*接管壁厚Pipe Thickness(mm)		SCH160						

注：只有对焊连接时才有此尺寸，配管尺寸可根据用户要求选配。  
The size is come into being only through butt-welded joint, and the size of piping can be selected and allocated according to the requirement of users.

# 锻钢截止阀 FORGED STEEL GLOBE VALVE



技术规范Technical specification	
结构形式 Structural Formation	BB-BG-OS&Y (WB-BG-OS&Y)
驱动方式 Driving Manner	手动Hand-operated
设计标准 Design Standard	ASME B16.34、BS 5352
结构长度 Structural Length	ASME B16.10
连接法兰 Flanged Ends	ASME B16.5
试验和检验 Test & Inspection	API 598

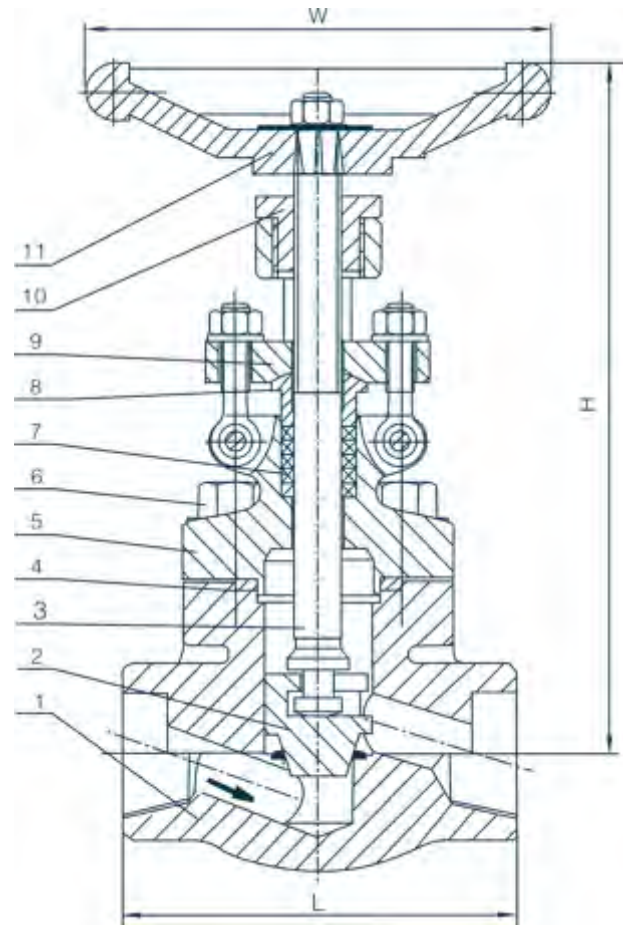
## 主要零件材质Form of major parts materials

序号 No.	零件名称 Part name	材质 Material
1	法兰 Flange	ASTM A105、A350-LF2 ASTM A182-F11、F22、F5、F9 ASTM A182-F304、F316、F321、F304L、F316L
2	阀体 Body	ASTM A105、A350-LF2 ASTM A182-F11、F22、F5、F9 ASTM A182-F304、F316、F321、F304L、F316L
3	阀瓣 Disc	ASTM A105、A350-LF2 ASTM A182-F11、F22、F5、F9 ASTM A182-F304、F316、F321、F304L、F316L
4	阀杆 Stem	ASTM A182-F6a、ASTM A182-F22 ASTM A182-F304、F316、F321、F304L、F316L
5	垫片 Gasket	柔性石墨+不锈钢 Graphite & stainless steel
6	阀盖 Bonnet	ASTM A105、A350-LF2 ASTM A182-F11、F22、F5、F9 ASTM A182-F304、F316、F321、F304L、F316L
7	螺栓 Bolt	ASTM A193-B7、A320-B8、A193-B8M
8	填料 Packing	柔性石墨 Flexible Graphite
9	填料压套 Gland	ASTM A105 ASTM A182-F11、F22、F5、F9 ASTM A182-F304、F316、F321、F304L、F316L
10	填料压盖 Gland flange	ASTM A 216-WCB ASTM A 351-CF8、CF8M、CF8C、CF3、CF3M
11	阀杆螺母 Stem nut	铜合金 Copper alloy
12	手轮 Hand wheel	ASTM A47-32510

尺寸及重量 Size & weight		Class 150、300、600																	
型号Model	Class	J26(A)R(J)-C10、A20、S30						J36(A)R(J)-C10、A20、S30						J56(A)R(J)-C10、A20、S30					
		150						300						600					
Size	mm	15	20	25	32	40	50	15	20	25	32	40	50	15	20	25	32	40	50
	in	1/2	3/4	1	1 1/4	1 1/2	2	1/2	3/4	1	1 1/4	1 1/2	2	1/2	3/4	1	1 1/4	1 1/2	2
L (mm)	RF	108	1175	127	140	165	203	152.5	178	203	216	228.5	266.5	165	190.5	216	229	241	292
	RTJ	119	130	140	153	178	216	163.5	191	216	229	241	282	163.5	190.5	216	229	241	295
H <sup>①</sup> (mm)		170	170	205	225	254	292	170	170	205	225	254	292	170	170	205	225	254	292
W (mm)		100	100	125	160	160	180	100	100	125	160	160	180	100	100	125	160	160	180
重量 Weight(Kg)		3.5	4.8	6.5	9.8	12	15	4.2	5.3	7.5	11.3	16.5	18.2	5.5	7.0	9.7	12.5	18.4	20

注：①H为阀门全开时的高度 Notes: H represents the height in full opening condition of valve.

# 锻钢截止阀 FORGED STEEL GLOBE VALVE



技术规范 Technical specification	
结构形式 Structural Formation	BB-BG-OS&Y (WB-BG-OS&Y)
驱动方式 Driving Manner	手动 Hand-operated
设计标准 Design Standard	ASME B16.34, BS 5352
螺纹端 Thread Ends	ASME B1.20.1
承插焊端 Socket Welded Ends	ASME B16.11
试验和检验 Test & Inspection	API 598

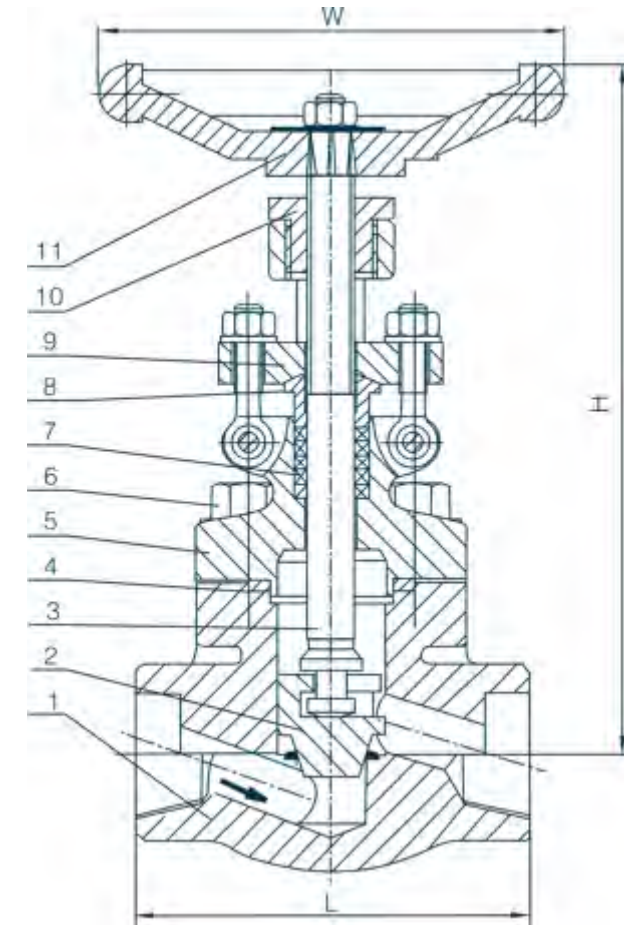
主要零件材质 Form of major parts materials		
序号 No.	零件名称 Part name	材质 Material
1	阀体 Body	ASTM A105, ASTM A350-LF2 ASTM A182-F11, F22, F5, F9 ASTM A182-F304, F316, F321, F304L, F316L
2	阀瓣 Disc	ASTM A105, ASTM A350-LF2 ASTM A182-F11, F22, F5, F9 ASTM A182-F304, F316, F321, F304L, F316L
3	阀杆 Stem	ASTM A182-F6a, ASTM A182-F22 ASTM A182-F304, F316, F321, F304L, F316L
4	垫片 Gasket	柔性石墨 + 不锈钢 Graphite & stainless steel
5	阀盖 Bonnet	ASTM A105, ASTM A350-LF2 ASTM A182-F11, F22, F5, F9 ASTM A182-F304, F316, F321, F304L, F316L
6	螺栓 Bolt	ASTM A193-B7, A320-B8, A193-B8M
7	填料 Packing	柔性石墨 Flexible Graphite
8	填料压套 Gland	ASTM A105 ASTM A182-F11, F22, F5, F9 ASTM A182-F304, F316, F321, F304L, F316L
9	填料压盖 Gland flange	ASTM A216-WCB ASTM A351-CF8, CF8M, CF8C, CF3, CF3M
10	阀杆螺母 Stem nut	铜合金 Copper alloy
11	手轮 Hand wheel	ASTM A47-32510

## 尺寸及重量 Size & weight Class 800

型号 Model	J66(A)S-C10, A20, S30	J66(A)T-C10, A20, S30		Class 800			
Class	800						
Size	缩径mm(in) Reduced bore	15(1/2)	20(3/4)	25(1)	32(1 1/4)	40(1 1/2)	50(2)
	全径mm(in) Full bore	10(3/8)	15(1/2)	20(3/4)	25(1)	32(1 1/4)	40(1 1/2) 50(2)
L (mm)	80	92	111	120	120	140	178
H <sup>①</sup> (mm)	170	170	205	225	254	292	330
W (mm)	100	100	125	160	160	180	240
重量 Weight(Kg)	1.9	2.1	3.2	6.9	6.9	10.4	15.8

注：①H为阀门全开时的高度 Notes: H represents the height in full opening condition of valve.

# 锻钢截止阀 FORGED STEEL GLOBE VALVE



技术规范 Technical specification	
结构形式 Structural Formation	BB-BG-OS&Y (WB-BG-OS&Y)
驱动方式 Driving Manner	手动 Hand-operated
设计标准 Design Standard	ASME B16.34, BS 5352
螺纹端 Thread Ends	ASME B1.20.1
承插焊端 Socket Welded Ends	ASME B16.11
试验和检验 Test & Inspection	API 598

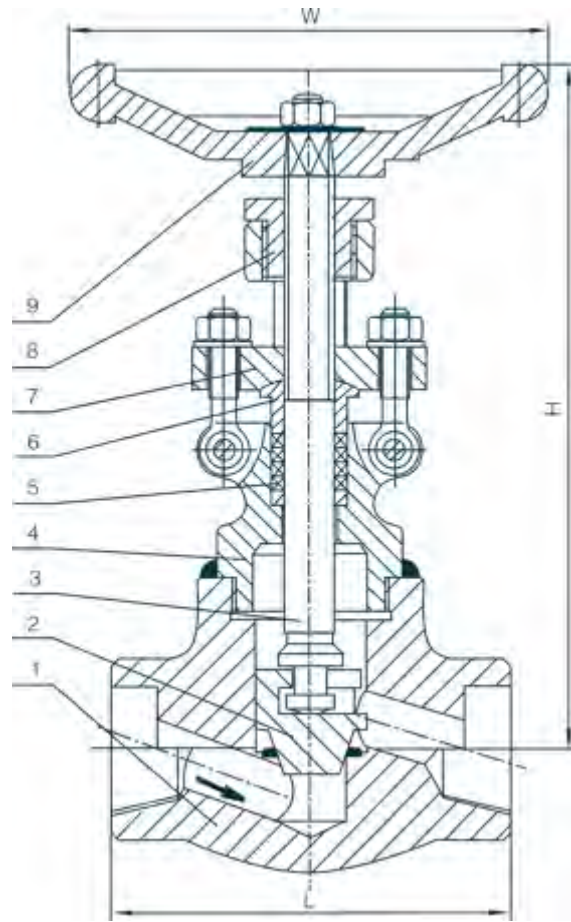
主要零件材质 Form of major parts materials		
序号 No.	零件名称 Part name	材质 Material
1	阀体 Body	ASTM A105, ASTM A350-LF2 ASTM A182-F11, F22, F5, F9 ASTM A182-F304, F316, F321, F304L, F316L
2	阀瓣 Disc	ASTM A105, ASTM A350-LF2 ASTM A182-F11, F22, F5, F9 ASTM A182-F304, F316, F321, F304L, F316L
3	阀杆 Stem	ASTM A182-F6a, ASTM A182-F22 ASTM A182-F304, F316, F321, F304L, F316L
4	垫片 Gasket	柔性石墨 + 不锈钢 Graphite & stainless steel
5	阀盖 Bonnet	ASTM A105, STM A350-LF2 ASTM A182-F11, F22, F5, F9 ASTM A182-F304, F316, F321, F304L, F316L
6	螺栓 Bolt	ASTM A193-B7, A320-B8, A193-B8M
7	填料 Packing	柔性石墨 Flexible Graphite
8	填料压套 Gland	ASTM A105 ASTM A182-F11, F22, F5, F9 ASTM A182-F304, F316, F321, F304L, F316L
9	填料压盖 Gland flange	ASTM A216-WCB ASTM A351-CF8, CF8M, CF8C, CF3, CF3M
10	阀杆螺母 Stem nut	铜合金 Copper alloy
11	手轮 Hand wheel	ASTM A47-32510

## 尺寸及重量 Size & weight Class 1500

型号 Model	J86(A)S-C10, A20, S30	J86(A)T-C10, A20, S30		Class 1500			
Class	1500						
Size	缩径mm(in) Reduced bore	15(1/2)	20(3/4)	25(1)	32(1 1/4)	40(1 1/2)	50(2)
	全径mm(in) Full bore	10(3/8)	15(1/2)	20(3/4)	25(1)	32(1 1/4)	40(1 1/2) 50(2)
L (mm)	111	111	130	150	172	220	230
H <sup>①</sup> (mm)	205	205	240	258	290	336	428
W (mm)	125	125	160	160	160	180	234
重量 Weight(Kg)	4.5	4.3	6.8	8.5	12.6	19.2	30

注：①H为阀门全开时的高度 Notes: H represents the height in full opening condition of valve.

# 锻钢截止阀 FORGED STEEL GLOBE VALVE



技术规范 Technical specification	
结构形式 Structural Formation	WB-BG-OS&Y
驱动方式 Driving Manner	手动 Hand-operated
设计标准 Design Standard	ASME B16.34, BS 5352
螺纹端 Thread Ends	ASME B1.20.1
承插焊端 Socket Welded Ends	ASME B16.11
试验和检验 Test & Inspection	API 598

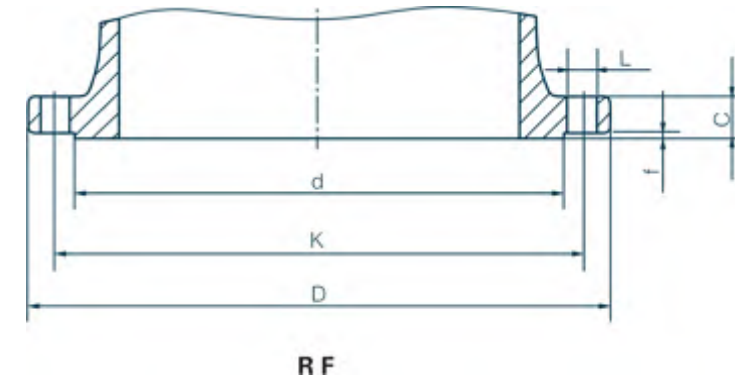
主要零件材质		
序号 No.	零件名称 Part name	材质 Material
1	阀体 Body	ASTM A105、ASTM A350-LF2 ASTM A182-F11、F22、F5、F9 ASTM A182-F304、F316、F321、F304L、F316L
2	阀瓣 Disc	ASTM A105、ASTM A350-LF2 ASTM A182-F11、F22、F5、F9 ASTM A182-F304、F316、F321、F304L、F316L
3	阀杆 Stem	ASTM A182-F6a、ASTM A182-F22 ASTM A182-F304、F316、F321、F304L、F316L
4	阀盖 Bonnet	ASTM A105、ASTM A350-LF2 ASTM A182-F11、F22、F5、F9 ASTM A182-F304、F316、F321、F304L、F316L
5	填料 Packing	柔性石墨 Flexible Graphite
6	填料压套 Gland	ASTM A105 ASTM A182-F11、F22、F5、F9 ASTM A182-F304、F316、F321、F304L、F316L
7	填料压盖 Gland flange	ASTM A216-WCB ASTM A351-CF8、CF8M、CF8C、CF3、CF3M
8	阀杆螺母 Stem nut	铜合金 Copper alloy
9	手轮 Hand wheel	ASTM A47-32510

## 尺寸及重量 Size & weight Class 2500

型号 Model	J96(A)S-C10、A20、S30		J96(A)T-C10、A20、S30				
Class	2500						
Size	缩径mm(in) Reduced bore	15(1/2)	20(3/4)	25(1)	32(1 1/4)	40(1 1/2)	50(2)
	全径mm(in) Full bore	10(3/8)	15(1/2)	20(3/4)	25(1)	32(1 1/4)	40(1 1/2) 50(2)
L (mm)	111	127	127	180	180	210	230
H <sup>①</sup> (mm)	190	225	246	287	290	362	420
W (mm)	125	140	160	160	180	200	240
重量 Weight(Kg)	4.5	5.5	8.0	13.2	12.8	19.8	30

注：①H为阀门全开时的高度 Notes: H represents the height in full opening condition of valve.

# 整体钢制管法兰 INTEGRAL STEEL PIPE FLANGE



## PN1.6、2.5MPa R F JB/T79.1-94

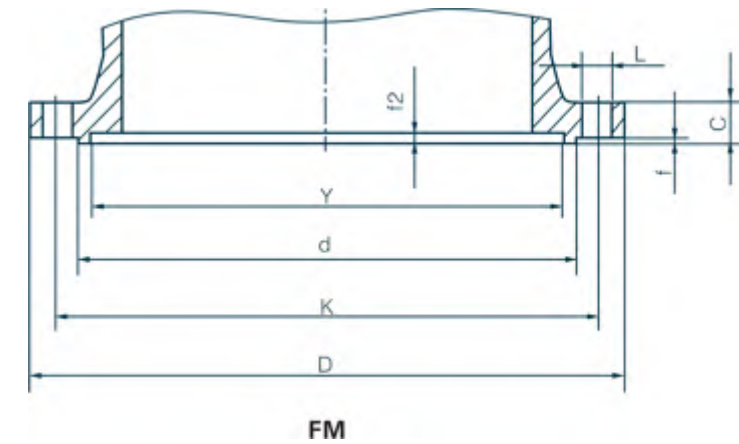
PN1.6MPa R F JB/T79.1-94								PN2.5MPa R F JB/T79.1-94							
DN	D	K	L	螺栓(Bolt)n-Th	d	f	C	DN	D	K	L	螺栓(Bolt)n-Th	d	f	C
15	95	65	14	4-M12	45	2	14	15	95	65	14	4-M12	45	2	16
20	105	75	14	4-M12	55	2	14	20	105	75	14	4-M12	55	2	16
25	115	85	14	4-M12	65	2	14	25	115	85	14	4-M12	65	2	16
32	140	100	18	4-M16	78	2	16	32	140	100	18	4-M16	78	2	18
40	150	110	18	4-M16	85	3	16	40	150	110	18	4-M16	85	3	18
50	165	125	18	4-M16	100	3	16	50	165	125	18	4-M16	100	3	20
65	185	145	18	4-M16	120	3	18	65	185	145	18	8-M16	120	3	22
80	200	160	18	8-M16	135	3	20	80	200	160	18	8-M16	135	3	22
100	220	180	18	8-M16	155	3	20	100	230	190	23	8-M20	160	3	24
125	250	210	18	8-M16	185	3	22	125	270	220	26	8-M24	188	3	28
150	285	240	23	8-M20	210	3	24	150	300	250	26	8-M24	218	3	30
200	340	295	23	12-M20	265	3	26	200	360	310	26	12-M24	278	3	34
250	405	355	26	12-M24	320	3	30	250	425	370	30	12-M27	332	3	36
300	460	410	26	12-M24	375	4	30	300	485	430	30	16-M27	390	4	40
350	520	470	26	16-M24	435	4	34	350	555	490	34	16-M30	448	4	44
400	580	525	30	16-M27	485	4	36	400	620	550	36	16-M33	505	4	48
450	640	585	30	20-M27	545	4	40	450	670	600	36	20-M33	555	4	50
500	715	650	34	20-M30	608	4	44	500	730	660	36	20-M33	610	4	52

PN1.6、2.5MPa R F GB/T9113.1-2000

PN1.6MPa R F GB/T9113.1-2000							
DN	D	K	L	螺栓(Bolt)n-Th	d	f	C
15	95	65	14	4-M12	46	2	14
20	105	75	14	4-M12	56	2	16
25	115	85	14	4-M12	65	2	16
32	140	100	18	4-M16	76	2	18
40	150	110	18	4-M16	84	2	18
50	165	125	18	4-M16	99	2	20
65	185	145	18	4-M16	118	2	20
80	200	160	18	8-M16	132	2	20
100	220	180	18	8-M16	156	2	22
125	250	210	18	8-M16	184	2	22
150	285	240	22	8-M20	211	2	24
200	340	295	22	12-M20	266	2	24
250	405	355	26	12-M24	319	2	26
300	460	410	26	12-M24	370	2	28
350	520	470	26	16-M24	429	2	30
400	580	525	30	16-M27	480	2	32
450	640	585	30	20-M27	548	2	40
500	715	650	33	20-M30	609	2	44

PN2.5MPa R F GB/T9113.1-2000							
DN	D	K	L	螺栓(Bolt)n-Th	d	f	C
15	95	65	14	4-M12	46	2	14
20	105	75	14	4-M12	56	2	16
25	115	85	14	4-M12	65	2	16
32	140	100	18	4-M16	76	2	18
40	150	110	18	4-M16	84	2	18
50	165	125	18	4-M16	99	2	20
65	185	145	18	8-M16	118	2	22
80	200	160	18	8-M16	132	2	24
100	230	190	23	8-M20	156	2	24
125	270	220	26	8-M24	184	2	26
150	300	250	26	8-M24	211	2	28
200	360	310	26	12-M24	274	2	30
250	425	370	30	12-M27	330	2	32
300	485	430	30	16-M27	389	2	34
350	555	490	34	16-M30	448	2	38
400	620	550	36	16-M33	503	2	40
450	670	600	36	20-M33	548	2	46
500	730	660	36	20-M33	609	2	48

整体钢制管法兰  
INTEGRAL STEEL PIPE FLANGE



PN1.6、2.5MPa R F HG20596-97

PN1.6MPa R F HG20596-97							
DN	D	K	L	螺栓(Bolt)n-Th	d	f	C
15	95	65	14	4-M12	46	2	14
20	105	75	14	4-M12	56	2	16
25	115	85	14	4-M12	65	2	16
32	140	100	18	4-M16	76	2	18
40	150	110	18	4-M16	84	2	18
50	165	125	18	4-M16	99	2	20
65	185	145	18	4-M16	118	2	20
80	200	160	18	8-M16	132	2	20
100	220	180	18	8-M16	156	2	22
125	250	210	18	8-M16	184	2	22
150	285	240	22	8-M20	211	2	24
200	340	295	22	12-M20	266	2	24
250	405	355	26	12-M24	319	2	26
300	460	410	26	12-M24	370	2	28
350	520	470	26	16-M24	429	2	30
400	580	525	30	16-M27	480	2	32
450	640	585	30	20-M27	548	2	34
500	715	650	30	20-M30×2	609	2	34

PN2.5MPa R F HG20596-97							
DN	D	K	L	螺栓(Bolt)n-Th	d	f	C
15	95	65	14	4-M12	46	2	14
20	105	75	14	4-M12	56	2	16
25	115	85	14	4-M12	65	2	16
32	140	100	18	4-M16	76	2	18
40	150	110	18	4-M16	84	2	18
50	165	125	18	4-M16	99	2	20
65	185	145	18	8-M16	118	2	22
80	200	160	18	8-M16	132	2	24
100	230	190	22	8-M20	156	2	24
125	270	220	26	8-M24	184	2	26
150	300	250	26	8-M24	211	2	28
200	360	310	26	12-M24	274	2	30
250	425	370	30	12-M27	330	2	32
300	485	430	30	16-M27	389	2	34
350	555	490	33	16-M30×2	448	2	38
400	620	550	36	16-M33×2	503	2	40
450	670	600	36	20-M33×2	548	2	42
500	730	660	36	20-M33×2	609	2	44

PN4.0、6.3MPa FM JB/T79.2-94

PN4.0MPa FM JB/T79.2-94									
DN	D	K	L	螺栓(Bolt)n-Th	d	Y	f	f2	C
15	95	65	14	4-M12	45	40	2	4	16
20	105	75	14	4-M12	55	51	2	4	16
25	115	85	14	4-M12	65	58	2	4	16
32	140	100	18	4-M16	78	66	2	4	18
40	150	110	18	4-M16	85	76	3	4	18
50	165	125	18	4-M16	100	88	3	4	20
65	185	145	18	8-M16	120	110	3	4	22
80	200	160	18	8-M16	135	121	3	4	22
100	235	190	23	8-M20	160	150	3	4.5	24
125	270	220	26	8-M24	188	176	3	4.5	28
150	300	250	26	8-M24	218	204	3	4.5	30
200	375	320	30	12-M27	282	260	3	4.5	38
250	450	385	34	12-M30	345	313	3	4.5	42
300	515	450	34	16-M30	408	364	4	4.5	46
350	580	510	36	16-M33	465	422	4	5	52
400	660	585	41	16-M36	535	474	4	5	58

PN6.3MPa FM JB/T79.2-94									
DN	D	K	L	螺栓(Bolt)n-Th	d	Y	f	f2	C
15	105	75	14	4-M12	55	40	2	4	18
20	130	90	18	4-M16	68	51	2	4	20
25	140	100	18	4-M16	78	58	2	4	22
32	155	110	23	4-M20	82	66	2	4	24
40	170	125	23	4-M20	95	76	3	4	24
50	180	135	23	4-M20	105	88	3	4	26
65	205	160	23	8-M20	130	110	3	4	28
80	215	170	23	8-M20	140	121	3	4	30
100	250	200	26	8-M24	168	150	3	4.5	32
125	295	240	30	8-M27	202	176	3	4.5	36
150	345	280	34	8-M30	240	204	3	4.5	38
200	405	345	36	12-M33	300	260	3	4.5	44
250	470	400	36	12-M33	352	313	3	4.5	48
300	530	460	36	16-M33	412	364	4	4.5	54
350	600	525	41	16-M36	475	422	4	5	60
400	670	585	42	16-M39	525	474	4	5	66

**PN4.0、6.3MPa FM GB/T9113.2-2000**

PN4.0MPa FM GB/T9113.2-2000									
DN	D	K	L	螺栓(Bolt)n-Th	d	Y	f	f2	C
15	95	65	14	4-M12	46	40	4	3	14
20	105	75	14	4-M12	56	51	4	3	16
25	115	85	14	4-M12	65	58	4	3	16
32	140	100	18	4-M16	76	66	4	3	18
40	150	110	18	4-M16	84	76	4	3	18
50	165	125	18	4-M16	99	88	4	3	20
65	185	145	18	8-M16	118	110	4	3	22
80	200	160	18	8-M16	132	121	4	3	24
100	235	190	22	8-M20	156	150	4.5	3.5	24
125	270	220	26	8-M24	184	176	4.5	3.5	26
150	300	250	26	8-M24	211	204	4.5	3.5	28
200	375	320	30	12-M27	284	260	4.5	3.5	34
250	450	385	33	12-M30	345	313	4.5	3.5	38
300	515	450	33	16-M30	409	364	4.5	3.5	42
350	580	510	36	16-M33	465	422	5	4	46
400	660	585	39	16-M36	535	474	5	4	50

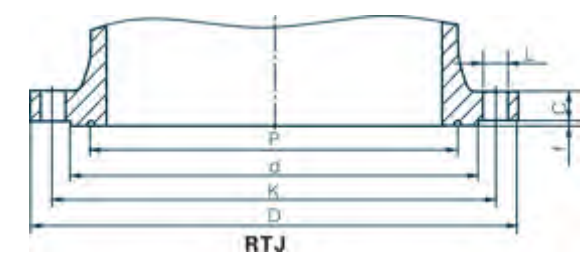
PN6.3MPa FM GB/T9113.2-2000									
DN	D	K	L	螺栓(Bolt)n-Th	d	Y	f	f2	C
15	105	75	14	4-M12	46	40	4	3	20
20	130	90	18	4-M16	56	51	4	3	20
25	140	100	18	4-M16	65	58	4	3	24
32	155	110	22	4-M20	76	66	4	3	24
40	170	125	22	4-M20	84	76	4	3	26
50	180	135	22	4-M20	99	88	4	3	26
65	205	160	22	8-M20	118	110	4	3	26
80	215	170	22	8-M20	132	121	4	3	28
100	250	200	26	8-M24	156	150	4.5	3.5	30
125	295	240	30	8-M27	184	176	4.5	3.5	34
150	345	280	33	8-M30	211	204	4.5	3.5	36
200	415	345	36	12-M33	284	260	4.5	3.5	42
250	470	400	36	12-M33	345	313	4.5	3.5	46
300	530	460	36	16-M33	409	364	4.5	3.5	52
350	600	525	39	16-M36	465	422	5	4	56
400	670	585	42	16-M39	535	474	5	4	60

**PN4.0、6.3MPa FM HG20596-97**

PN4.0MPa FM HG20596-97									
DN	D	K	L	螺栓(Bolt)n-Th	d	Y	f	f2	C
15	95	65	14	4-M12	46	40	4	3	14
20	105	75	14	4-M12	56	51	4	3	16
25	115	85	14	4-M12	65	58	4	3	16
32	140	100	18	4-M16	76	66	4	3	18
40	150	110	18	4-M16	84	76	4	3	18
50	165	125	18	4-M16	99	88	4	3	20
65	185	145	18	8-M16	118	110	4	3	22
80	200	160	18	8-M16	132	121	4	3	24
100	235	190	22	8-M20	156	150	4.5	3.5	24
125	270	220	26	8-M24	184	176	4.5	3.5	26
150	300	250	26	8-M24	211	204	4.5	3.5	28
200	375	320	30	12-M27	284	260	4.5	3.5	34
250	450	385	33	12-M30x2	345	313	4.5	3.5	38
300	515	450	33	16-M30x2	409	364	4.5	3.5	42
350	580	510	36	16-M33x2	465	422	5	4	46
400	660	585	39	16-M36x2	535	474	5	4	50

PN6.3MPa FM HG20596-97									
DN	D	K	L	螺栓(Bolt)n-Th	d	Y	f	f2	C
15	105	75	14	4-M12	46	40	4	3	20
20	130	90	18	4-M16	56	51	4	3	20
25	140	100	18	4-M16	65	58	4	3	24
32	155	110	22	4-M20	76	66	4	3	24
40	170	125	22	4-M20	84	76	4	3	26
50	180	135	22	4-M20	99	88	4	3	26
65	205	160	22	8-M20	118	110	4	3	26
80	215	170	22	8-M20	132	121	4	3	28
100	250	200	26	8-M24	156	150	4.5	3.5	30
125	295	240	30	8-M27	184	176	4.5	3.5	34
150	345	280	33	8-M30x2	211	204	4.5	3.5	36
200	415	345	36	12-M33x2	284	260	4.5	3.5	42
250	470	400	36	12-M33x2	345	313	4.5	3.5	46
300	530	460	36	16-M33x2	409	364	4.5	3.5	52
350	600	525	39	16-M36x2	465	422	5	4	56
400	670	585	42	16-M39x2	535	474	5	4	60

**整体钢制管法兰  
INTEGRAL STEEL PIPE FLANGE**



**PN10.0、16.0MPa RTJ JB/T79.4-94**

PN10.0MPa RTJ JB/T79.4-94									
DN	D	K	L	螺栓(Bolt)n-Th	d	P	f	f	C
15	105	75	14	4-M12	55	35	6.5	20	
20	130	90	18	4-M16	68	45	6.5	22	
25	140	100	18	4-M16	78	50	6.5	24	
32	155	110	23	4-M20	82	65	6.5	24	
40	170	125	23	4-M20	95	75	6.5	26	
50	195	145	26	4-M24	112	85	8	28	
65	220	170	26	8-M24	138	110	8	32	
80	230	180	26	8-M24	148	115	8	34	
100	265	210	30	8-M27	172	145	8	38	
125	315	250	34	8-M30	210	175	8	42	
150	355	290	34	12-M30	250	205	8	46	
200	430	360	36	12-M33	312	265	8	54	
250	505	430	41	12-M36	382	320	8	60	
300	585	500	42	16-M39	442	375	8	74	

PN10.0MPa RTJ JB/T79.4-94									
DN	D	K	L	螺栓(Bolt)n-Th	d	P	f	f	C
15	110	75	18	4-M16	52	35	6.5	24	
20	130	90	23	4-M20	62	45	6.5	26	
25	140	100	23	4-M20	72	50	6.5	28	
32	165	115	25	4-M22	85	65	6.5	30	
40	175	125	27	4-M24	92	75	6.5	32	
50	215	165	25	8-M22	132	85	8	36	
65	245	190	30	8-M27	152	110	8	44	
80	260	205	30	8-M27	168	115	8	46	
100	300	240	34	8-M30	200	145	8	48	
125	355	285	41	8-M36	238	175	8	60	
150	390	318	41	12-M36	270	205	10	66	
200	480	400	48	12-M43	345	275	11	78	
250	580	485	54	12-M48	425	330	11	88	
300	665	570	54	16-M48	510	380	14	100	

**PN11.0、15.0MPa RTJ GB/T9113.4-2000**

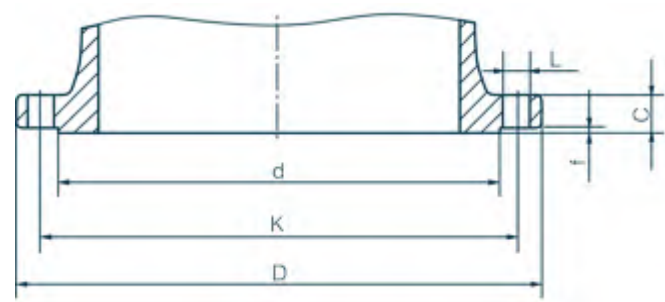
PN11.0MPa RTJ GB/T9113.4-2000									
DN	D	K	L	螺栓(Bolt)n-Th	d	P	f	f	C
15	95	66.5	16	4-M14	51.0	34.14	5.56	14.5	
20	120	82.5	18	4-M16	63.5	42.88	6.35	16.0	
25	125	89.0	18	4-M16	70.0	50.80	6.35	17.5	
32	135	98.5	18	4-M16	79.5	60.32	6.35	21.0	
40	155	114.5	22	4-M20	90.5	68.28	6.35	22.5	
50	165	127.0	18	8-M16	108.0	82.55	7.92	25.5	
65	190	149.0	22	8-M20	127.0	101.30	7.92	29.0	
80	210	168.5	22	8-M20	146.0	123.82	7.92	32.0	
100	275	216.0	26	8-M24	175.0	149.22	7.92	38.5	
125	330	267.0	29.5	8-M27	210.0	180.98	7.92	44.5	
150	355	292.0	29.5	12-M27	241.0	211.12	7.92	48.0	
200	420	349.0	32.5	12-M30	302.0	269.88	7.92	55.5	
250	510	432.0	35.5	16-M33	356.0	323.85	7.92	63.5	
300	560	489.0	35.5	20-M33	413.0	381.00	7.92	67.0	

PN15.0MPa RTJ GB/T9113.4-2000									
DN	D	K	L	螺栓(Bolt)n-Th	d	P	f	f	C
15	120	82.5	22	4-M20	60.5	39.67	6.35	22.5	
20	130	89.0	22	4-M20	66.5	44.45	6.35	25.5	
25	150	101.5	26	4-M24	71.5	50.80	6.35	29.0	
32	160	111.0	26	4-M24	81.0	60.32	6.35	29.0	
40	180	124.0	29.5	4-M27	92.0	68.28	6.35	32.0	
50	215	165.0	26	8-M24	124.0	95.25	7.92	38.5	
65	245	190.5	29.5	8-M27	137.0	107.95	7.92	41.5	
80	240	190.5	26	8-M24	156.0	123.82	7.92	38.5	
100	290	235.0	32.5	8-M30	181.0	149.22	7.92	44.5	
125	350	279.5	35.5	8-M33	216.0	180.98	7.92	51.0	
150	380	317.5	32.5	12-M30	241.0	211.12	7.92	56.0	
200	470	393.5	39	12-M36	308.0	269.88	7.92	63.5	
250	545	470.0	39	16-M36	362.0	323.85	7.92	70.0	
300	610	533.5	39	20-M36	419.0	381.00	7.92	79.5	

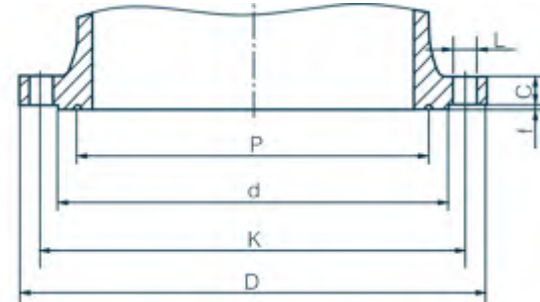
**PN10.0、16.0MPa RTJ HG20596-97**

PN10.0MPa RTJ HG20596-97									
DN	D	K	L	螺栓(Bolt)n-Th	d	P	f	f	C
15	105	75	14	4-M12	55	35	6.5	20	
20	130	90	18	4-M16	68	45	6.5	22	
25	140	100	18	4-M16	78	50	6.5	24	
32	155	110	23	4-M20	86	65	6.5	24	
40	170	125	23	4-M20	102	75	6.5	26	
50	195	145	26	4-M24	116	85	8	28	
65	220	170	26	8-M24	140	110	8	32	
80	230	180	26	8-M24	150	115	8	34	
100	265	210	30	8-M27	176	145	8	38	
125	315	250	34	8-M30x2	212	175	8	42	
150	355	290	34	12-M30x2	250	205	8	46	
200	430	360	36	12-M33x2	312	265	8	54	

# 整体钢制管法兰 INTEGRAL STEEL PIPE FLANGE



RF



RTJ

## CLASS 150 RF

NPS	1/2	3/4	1	1¼	1½	2	2½	3	4	6	8	10	12	14	16
D	90	100	110	120	130	152	178	190	229	279	343	406	483	533	597
K	60.5	70	79.5	89	98.5	120.5	139.5	152.5	190.5	241.5	298.5	362	432	476	540
L	16	16	16	16	16	18	18	18	18	22	22	26	26	29	29
n-Th	4-M14	4-M14	4-M14	4-M14	4-M14	4-M16	4-M16	4-M16	8-M16	8-M20	8-M20	12-M24	12-M24	12-M27	16-M27
d	35	43	51	63.5	73	92	105	127	157	216	270	324	381	413	470
f	2	2	2	2	2	2	2	2	2	2	2	2	2	2	2
c	10	10	11.5	13	14.5	16	18	19	24	26	29	31	32	35	37

## CLASS 300 RF

NPS	1/2	3/4	1	1¼	1½	2	2½	3	4	6	8	10	12	14	16
D	90	120	125	135	155	165	190	210	254	318	381	445	521	584	648
K	66.5	82.5	89	98.5	114.5	127	149	168.5	200	270	330	387.5	451	514.5	571.5
L	16	18	18	18	22	18	22	22	22	22	26	29.5	32.5	32.5	35
n-Th	4-M14	4-M16	4-M16	4-M16	4-M20	8-M16	8-M20	8-M20	8-M20	12-M20	12-M24	16-M27	16-M30	20-M30	20-M33
d	35	43	51	63.5	73	92	105	127	157	216	270	324	381	413	470
f	2	2	2	2	2	2	2	2	2	2	2	2	2	2	2
c	14.5	16	17.5	19.5	21	23	26	29	32	37	42	48	51	54	58

## CLASS 600 RTJ

NPS	2	2½	3	4	6	8	10
D	165	190	210	275	355	420	510
K	127	149	168.5	216	292	349	432
L	18	22	22	26	29.5	32.5	35.5
n-Th	8-M16	8-M20	8-M20	8-M24	12-M27	12-M30	16-M33
d1	108	127	146	175	241	302	356
P	82.55	101.6	123.825	149.225	211.138	269.876	323.851
f1	7.9	7.9	7.9	7.9	7.9	7.9	7.9
C1	25.5	29	32	38.5	48	55.5	63.5

## CLASS 900 RTJ

NPS	2	2½	3	4	6	8	10
D	216	244	241	292	381	470	545
K	165.1	190.5	190.5	234.9	317.5	393.7	469.9
L	26	29.5	26	32.5	32.5	39	39
n-Th	8-M24	8-M27	8-M24	8-M30	12-M30	12-M36×3	16-M36×3
d1	124	137	156	181	214	308	362
P	95.25	107.95	123.82	149.22	211.12	269.88	323.85
f1	7.9	7.9	7.9	7.9	7.9	7.9	7.9
C1	38.5	41.5	38.5	44.5	56	63.5	70

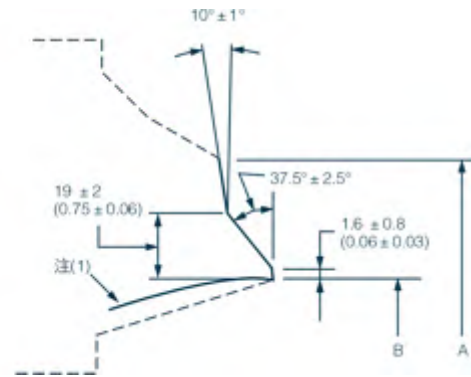
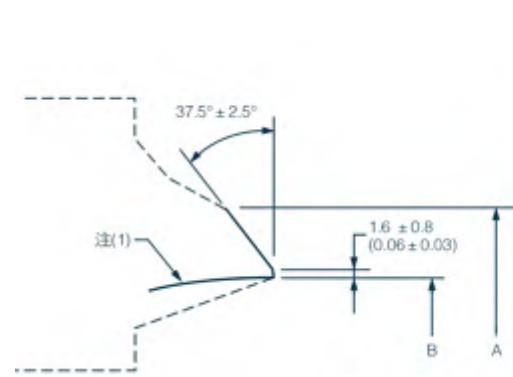
## CLASS 1500 RTJ

NPS	2	2½	3	4	6	8	10
D	216	244	265	310	395	485	585
K	165.1	190.5	203	241.5	317.5	393.7	482.5
L	26	29.5	32.5	35.5	39	45	51
n-Th	8-M24	8-M27	8-M30	8-M33	12-M36×3	12-M42×3	16-M48×3
d1	124	137	168	194	248	318	371
P	95.25	107.95	136.52	161.92	211.12	269.88	323.85
f1	7.9	7.9	7.9	7.9	9.52	11.13	11.13
C1	38.5	41.5	48	54	83	92	108

## CLASS 2500 RTJ

NPS	2	2½	3	4	6	8	10
D	235	265	305	355	485	550	675
K	171.5	197	228.5	273	368.5	438	539.5
L	29.5	32.5	35.5	42	55	55	68
n-Th	8-M27	8-M30	8-M33	8-M39×3	8-M52×3	12-M52×3	16-M64×3
d1	133	149	168	203	279	340	425
P	101.6	111.12	127	157.18	228.6	279.4	342.9
f1	7.92	9.52	9.52	11.13	1.7	14.27	17.48
C1	51	57.5	57.5	76.5	108	127	165.5

## 对接焊端 BUTT-WELDING ENDS

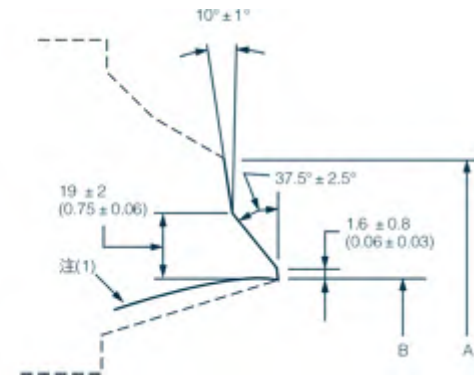
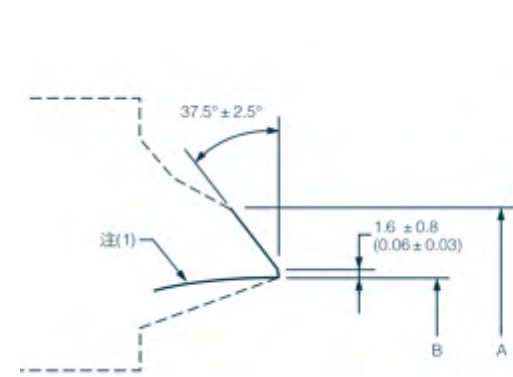


DN65-300						
管子公称规格 DN	管壁厚度系列号 [注(1)]	焊接端部外径		B	C[注(3)]	t
		锻造或加工组件 [注(1)]A	铸钢阀门 [注(2)]A			
65	40	73.0	75	62.5	662.93	5.16
	80	73.0	75	59	59.69	7.01
	160	73.0	75	54	55.28	9.35
	XXS	73.0	75	45	47.43	14.02
80	40	88.9	91	78	78.25	5.49
	80	88.9	91	73.5	74.53	7.62
	160	88.9	91	66.5	68.38	11.13
	XXS	88.9	91	58.5	61.19	15.24
90	40	101.6	105	90	90.52	5.74
	80	101.6	105	85.5	86.42	8.08
	160	101.6	105	85.5	86.42	8.08
	XXS	101.6	105	85.5	86.42	8.08
100	40	114.3	117	102	102.73	6.02
	80	114.3	117	97	98.28	8.56
	120	114.3	117	92	93.78	11.13
	160	114.3	117	87.5	89.65	13.49
125	40	141.3	144	128	128.80	6.55
	80	141.3	144	122	123.58	9.3
	120	141.3	144	116	118.04	12.70
	160	141.3	144	109.5	112.47	15.88
150	40	168.3	172	154	154.82	7.11
	80	168.3	172	146.5	148.06	10.97
	120	168.3	172	140	142.29	14.27
	160	168.3	172	132	135.31	18.26
200	40	219.1	223	203	203.75	8.18
	60	219.1	223	198.5	200.02	10.31
	80	219.1	223	193.5	195.84	12.70
	100	219.1	223	189	191.65	15.09
250	40	273.0	278	254.5	255.74	9.27
	60	273.0	278	247.5	249.74	12.70
	80	273.0	278	243	245.55	15.09
	100	273.0	278	236.5	240.01	18.26
300	40	323.8	329	305	306.08	9.53
	60	323.8	329	303	304.72	10.31
	XS	323.8	329	298.5	300.54	12.70
	XXS	323.8	329	295	297.79	14.27

DN300-450						
管子公称规格 DN	管壁厚度系列号 [注(1)]	焊接端部外径		B	C[注(3)]	t
		锻造或加工组件 [注(1)]A	铸钢阀门 [注(2)]A			
300	80	323.8	329	289	292.17	17.48
	100	323.8	329	281	285.24	21.44
	120	323.8	329	273	278.31	25.40
	140	323.8	329	266.5	272.75	28.58
350	40	355.6	362	336.5	337.88	9.53
	60	355.6	362	333.5	335.08	11.13
	80	355.6	362	330	332.34	12.70
	100	355.6	362	325.5	328.15	15.09
400	40	406.4	413	387.5	388.68	9.53
	60	406.4	413	381	383.14	12.70
	80	406.4	413	373	376.21	16.66
	100	406.4	413	363.5	367.84	21.44
450	40	457.2	464	438	439.48	9.53
	60	457.2	464	432	433.94	12.70
	80	457.2	464	428.5	431.19	14.27
	100	457.2	464	419	422.82	19.05

注: (1) 字母代号为:  
 (a) STD=标准壁厚  
 (b) XS=加厚  
 (c) XXS=特加厚  
 (2) 所列直径为非要求尺寸, 此处列出为使用者提供方便。  
 (3) Dn50及更小规格连续垫环不考虑内部机加工。

## 对接焊端 BUTT-WELDING ENDS



DN65-300						
Pipe nominal specification (DN)	Series of pipe schedule thickness [Note(1)]	Welded-end out diameters		B	C[Note(3)]	t
		Forged or manufactured components [Note(1)]A	Casting steel valve [Note(2)]A			
65	40	73.0	75	62.5	662.93	5.16
	80	73.0	75	59	59.69	7.01
	160	73.0	75	54	55.28	9.35
	XXS	73.0	75	45	47.43	14.02
80	40	88.9	91	78	78.25	5.49
	80	88.9	91	73.5	74.53	7.62
	160	88.9	91	66.5	68.38	11.13
	XXS	88.9	91	58.5	61.19	15.24
90	40	101.6	105	90	90.52	5.74
	80	101.6	105	85.5	86.42	8.08
	160	101.6	105	85.5	86.42	8.08
	XXS	101.6	105	85.5	86.42	8.08
100	40	114.3	117	102	102.73	6.02
	80	114.3	117	97	98.28	8.56
	120	114.3	117	92	93.78	11.13
	160	114.3	117	87.5	89.65	13.49
125	40	141.3	144	128	128.80	6.55
	80	141.3	144	122	123.58	9.3
	120	141.3	144	116	118.04	12.70
	160	141.3	144	109.5	112.47	15.88
150	40	168.3	172	154	154.82	7.11
	80	168.3	172	146.5	148.06	10.97
	120	168.3	172	140	142.29	14.27
	160	168.3	172	132	135.31	18.26
200	40	219.1	223	203	203.75	8.18
	60	219.1	223	198.5	200.02	10.31
	80	219.1	223	193.5	195.84	12.70
	100	219.1	223	189	191.65	15.09
250	40	273.0	278	254.5	255.74	9.27
	60	273.0	278	247.5	249.74	12.70
	80	273.0	278	243	245.55	15.09
	100	273.0	278	236.5	240.01	18.26
300	40	323.8	329	305	306.08	9.53
	60	323.8	329	303	304.72	10.31
	XS	323.8	329	298.5	300.54	12.70
	XXS	323.8	329	295	297.79	14.27

DN300-450						
Pipe nominal specification (DN)	Series of pipe schedule thickness [Note(1)]	Welded-end out diameters		B	C[Note(3)]	t
		Forged or manufactured components [Note(1)]A	Casting steel valve [Note(2)]A			
300	80	323.8	329	289	292.17	17.48
	100	323.8	329	281	285.24	21.44
	120	323.8	329	273	278.31	25.40
	140	323.8	329	266.5	272.75	28.58
350	40	355.6	362	336.5	337.88	9.53
	60	355.6	362	333.5	335.08	11.13
	80	355.6	362	330	332.34	12.70
	100	355.6	362	325.5	328.15	15.09
400	40	406.4	413	387.5	388.68	9.53
	60	406.4	413	381	383.14	12.70
	80	406.4	413	373	376.21	16.66
	100	406.4	413	363.5	367.84	21.44
450	40	457.2	464	438	439.48	9.53
	60	457.2	464	432	433.94	12.70
	80	457.2	464	428.5	431.19	14.27
	100	457.2	464	419	422.82	19.05

Note:(1)Characters stand for:  
 (a)STD=Standard schedule thickness  
 (b)XS=Thickened  
 (c)XXS=Super thickened  
 (2)All the diameters are not required size, just be convenient for users.  
 (3)Gasket rings for DN50 and below size are not considered to manufacture.