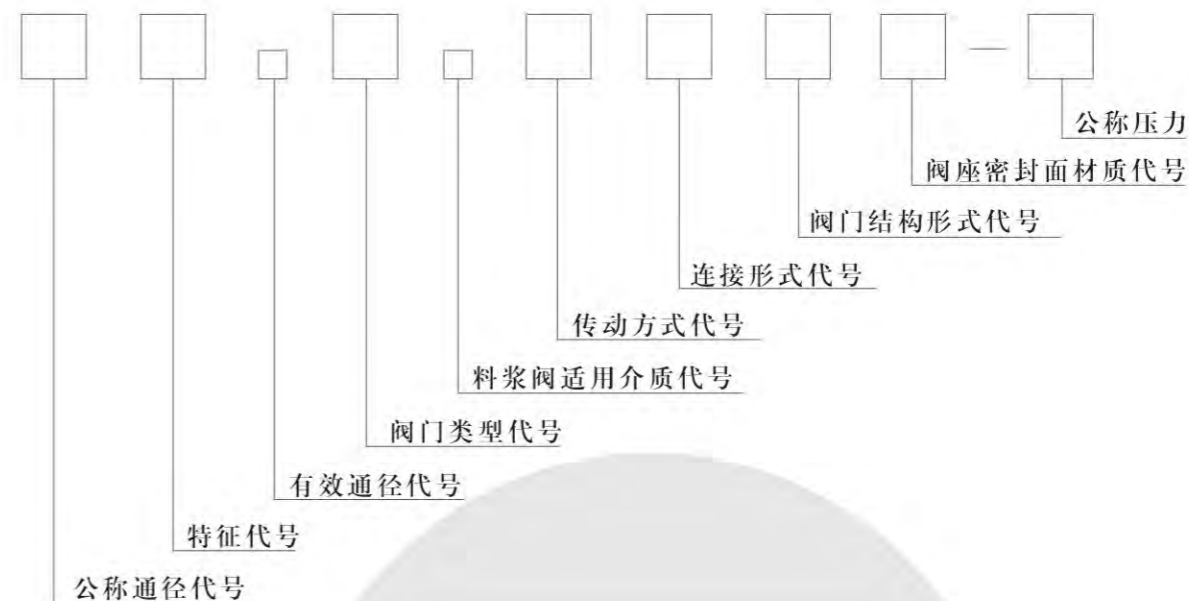


# 料浆阀 SLURRY VALVE



- ★ 公称通径代号：以英寸表示
- ★ 特征代号：本公司的特征代号为W
- ★ 有效通径代号：s-表示Y型料浆阀的缩径
- ★ 阀门类型代号：J-阀门类型为截止阀
- ★ 料浆阀适用介质代号：s-适用于泥浆等固体颗粒状介质
- ★ 传动方式代号：5-伞齿轮传动 6-气动 9-电动(手动略)
- ★ 连接形式代号：4-法兰连接
- ★ 阀门结构形式代号：5-直流式
- ★ 阀座密封面材质代号：Y-密封面材质为硬质合金
- ★ 公称压力：公称压力以压力等级数表示

例1: 12" WsJs945Y-150

表示公称通径为12"、缩口、阀门类型为截止式料浆阀、适用于泥浆等固体颗粒状介质、传动形式为电动、法兰连接、结构形式为直流式、密封面材质为硬质合金、公称压力为Class150。

## 公司简介

### Brief Introduction of Zhejiang Wuzhou Valve Co., Ltd

公司创建于1978年,是科技型阀门专业制造工厂。目前占地面积25350m<sup>2</sup>,其中建筑面积19200m<sup>2</sup>。公司员工196人,高中级技术人员25人,具有CAD开发设计和CIMS计算机网络管理,加入国际英特网络。公司固定资产3280万元,拥有加工中心、数控机床及金切加工设备98台、理化检测等综合性能测试设备45台(套)、起重设备22台。公司是中国阀门理事单位,浙江省区外高新技术、科技先进企业,温州市百强产品工厂之一,温州市名牌产品企业,区重点和科技先进企业,公司已于98年和99年分别取得DNV(挪威船级社)ISO9001国际质量体系认证证书和美国石油学会API-6D证书,是中国石油集团物资装备公司、中国天然气集团公司和化工部化工装备总公司、上海宝钢等定点供货成员单位。硬密封高温系列球阀获得国家专利,并被国家科委列为国家重点火炬计划项目和国家级新产品以及国际尤里卡金奖。变偏心蝶阀获专利新产品金奖。闸阀、截止阀等均由国家技术监督局全国统检为一等品。

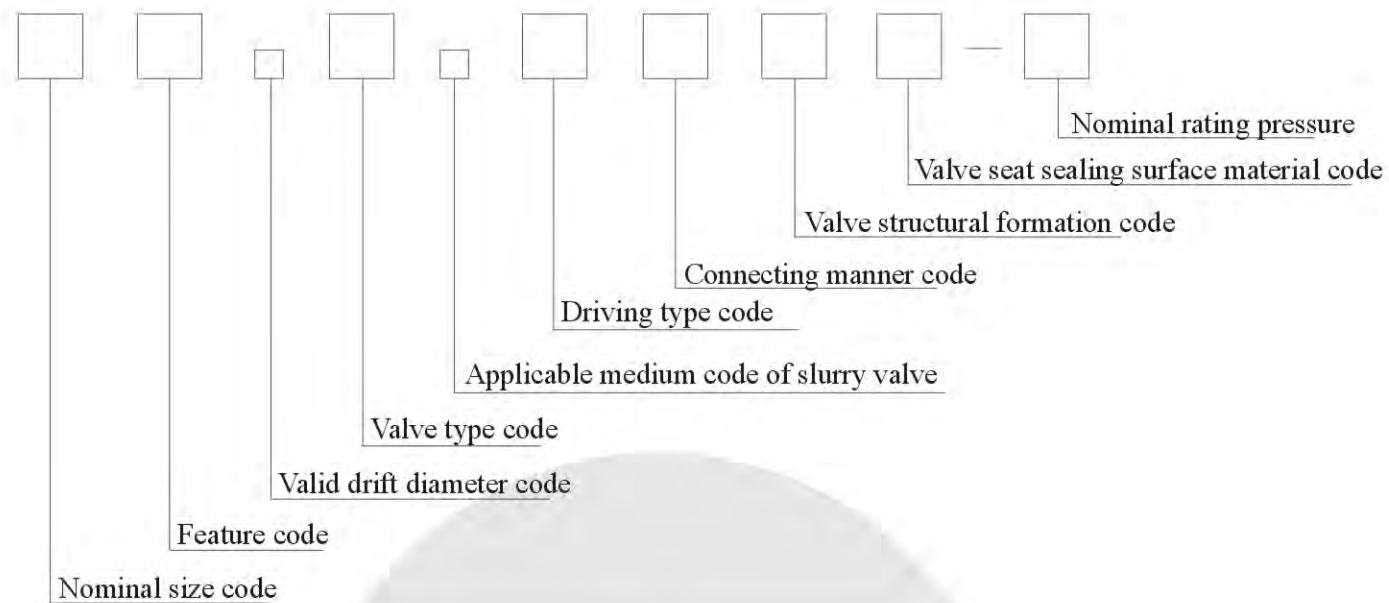
公司为石油、化工、冶金、轻工、电站、城建及输油、输气、天然气、长输管线等工程,提供高中压球阀、蝶阀、平板闸阀、闸阀、截止阀、止回阀、电站阀以及引进装置配套的非标和特殊阀门六百余个品种规格。生产通径为DN5~2000mm,公称压力为1.6Mpa~100Mpa,工作温度为-196℃~750℃,阀门的材质有碳钢、不锈钢、耐热合金钢、低温钢以及其他特殊钢种,驱动方式有手动、电动、气动、齿轮传动、蜗轮蜗杆传动、气液联动、电液联动等。产品畅销全国,出口美国、欧洲、中东、新加坡等地。公司坚持质量第一、用户至上的经营方针,以可用性、可信性、可靠性的三性为目标,创建“五洲”一流名牌,以优惠的价格、优良的售后服务热忱欢迎国内外客户光临指导。

The company was established in 1978, which is a technological valve manufacturer. presently it owns 25,350 sqm areas including 19,200sqm-building areas, 196 employees including 25 technicians, and also developed CAD designing & CIMS computer network administration and entered world Internet. In addition, the company owns fixed assets of 32,800,000 Yuan, including a processing center, 98 sets of numerical machine tools and metal-cutting equipment, 45 sets of comprehensive performance test equipment such as physicochemical inspection equipment, and 22 sets of crane equipment. As a council unit of China Valve Association, Zhejiang out-region high and new-tech advanced enterprise, Wenzhou Top-hundred product manufacturer, Wenzhou famous-brand products enterprise and regional key technological enterprise, the company has acquired attestation certificate of DNV (Det Norske Veritas)-ISO9001 and API-6D of American Petroleum Institute. Moreover, it is the pointing supply member unit of China Petroleum Group Material Equipment Co., China Natural Gas Group Co., Chemical Engineering Equipment Head Co. and Shanghai Baoshan Iron and Steel Plant. The hard-sealed high-temp eraternational Urika (尤里卡) Gold Prize, and have been ure serial ball valves have got national patent, won intapointed as key items of National Torch Plan and national new products. Besides, the variable eccentric butterfly valve has won the Gold Prize of patent new prod ked to be Grade-I products in national inspection by National Technical Supervision Bureau.

The company provides high-and-medium pressure ball valves, butterfly valves, flat gate valves, gate valves, stop valves, check valves and power station valves for petroleum, chemical engineering, metallurgy, light industry, power station, city building, oil delivery, gas delivery, natural gas and long delivery pipes projects. In addition, the company brought in over 600 sorts of corollary non-standard and specific valves. The production diadeter is DN5~2000mm; the nominal rating pressure is 1.6 MPa~100MPa; the temperature is -196.C~750.C; the valve materials contains carbon steel, stainless steel, heat-resist ant alloy steel, low temperature steel and other special steels; and the driving manners includes manual operating, electric driving, air-operating, gear transmission, worm wheel and worm screw transmission, gas-liquid linkage and electricity-liquid linkage. The products are well sold to the United States, Europe, Middle East and Singapore. The company holds 'Quality first, customers upmost' as its management policy while it sets 'Usability, creditability and reliability' as its target. Wuzhou Co. will welcome customers domestic and abroad with first-rate brand, favorable prices and excellent after-sales service.

## 目录 CATALOGUE

料浆阀.....	1
Slurry valve	
放料阀.....	10
Dumping valve	
料浆专用半球阀.....	27
Half ball valve for slurry	
疏水阀.....	36
Steam trap	



- ★ Nominal size code: taking inch as measurement unit
- ★ Feature code: the feature code of our company is W
- ★ Valid drift diameter code: s – retractive diameter of Y-type slurry valve
- ★ Valve type code: J – stop valve
- ★ Applicable medium code of slurry valve
  - s – applicable to solid granule medium such as slurry
- ★ Driving type code: 5 – umbrella gear driven 6 – Gas driven 9 – Electricity driven(manual driven omitted)
- ★ Connecting manner code: 4 – flange type
- ★ Valve structural formation code: 5 – Y type
- ★ Valve seat sealing surface material code: Y – hard alloy sealing surface material
- ★ Nominal rating pressure: nominal rating pressure taking pound as measurement unit

Example 1: 12” WsJs945Y – 150

Denoting 12” nominal rating drift diameter, reduced bore, stop type slurry valve, applicable to solid granule mediums such as slurry, electric driving, flange connecting, Y-type structure, hard alloy sealing surface material, and Class 150 nominal rating pressure.

产品结构特征 Products Design Features

系列料浆阀结构特点为：左右阀体分开式，两阀体之间夹有阀座，拆开连接两阀体的螺栓就可更换阀座；阀体内腔装有耐冲刷、耐腐蚀的护板，在开启阀门瞬间，可以保护阀体不被介质冲刷、腐蚀，并对其整体进行化学镀Ni.P处理，使表面硬度达到HRC60~62，具有高耐磨、耐腐蚀的优良功能。阀座密封面与阀瓣密封面均堆焊有司太立硬质合金，密封副间采用球面密封，使密封面为线接触，保证密封的可靠性，并可防止结疤。阀门带有上密封结构，全开时可以保护填料。阀门设有防转机构，保证阀杆在开启和关闭时只做直线运动，不做回转运动。阀门驱动方式有：手动、电动、气动、齿轮传动。

The valve body of the slurry series valve is divided into left and right parts with a seat between them. The bolt connecting the two parts can be disassembled to replace the valve seat. An anti-washing and anticorrosion protection plate is set in the cavity of the valve body. At the moment of the valve opens, the plate can protect valve from washing out or erosion, and carry out chemical Ni.P plating treatment on the whole valve which makes the surface hardness reach HRC60~62. The sealing adopts spherical seal, the surface of which is line connecting. This can ensure the sealing reliability and avoid scabs. Moreover, the valve belt has back sealing structure which can protect filling packing in full-open state. A rotation-resistant device is set up to ensure that the valve stem only has straight line motions, and no revolving motions. The driving manners of the valve include hand driving, electric driving air operated and geared transmission.

产品规格 Products specification

型号 Models	公称压力 Nominal pressure	驱动方式 Driving manner	公称通径 Nominal size														
			2	3	4	5	6	8	10	12	14	16	20				
WsJs45Y	Class 150	手 动 Hand-Operated	☆	☆	☆	☆	☆										
WJs45Y	Class 300		☆	☆	☆	☆											
	Class 400		☆	☆	☆	☆											
WsJs545Y	Class 150	齿轮传动 Gear driving							☆	☆	☆	☆					
WJs545Y	Class 300								☆	☆	☆						
	Class 400								☆	☆	☆						
WsJs945Y	Class 150	电 动 Electric Driving							☆	☆	☆	☆					
WJs945Y	Class 300								☆	☆	☆						
	Class 400								☆	☆	☆						

注：本公司可根据用户要求提供产品  
Notes: Our company can provide products according to the customers' request.

产品性能规范 Products Performance specification

公称压力 Nominal pressure	壳体试验压力(MPa) Shell test pressure	密封试验压力(MPa) Sealing test pressure	介质温度 Medium temperature	适用介质 Applicable Medium
Class 150	3.0	2.2	≤ 300℃	碱性氧化铝料浆 Alkaline basic alumina slurry
Class 300	7.8	5.7		
Class 400	10.5	7.7		
Class 600	15.0	11.0		

# Y型料浆阀

## Y-TYPE SLURRY VALVE

Class 150

型号 Model

W(s)Jx45Y, W(s)Jx545Y, W(s)Jx945Y



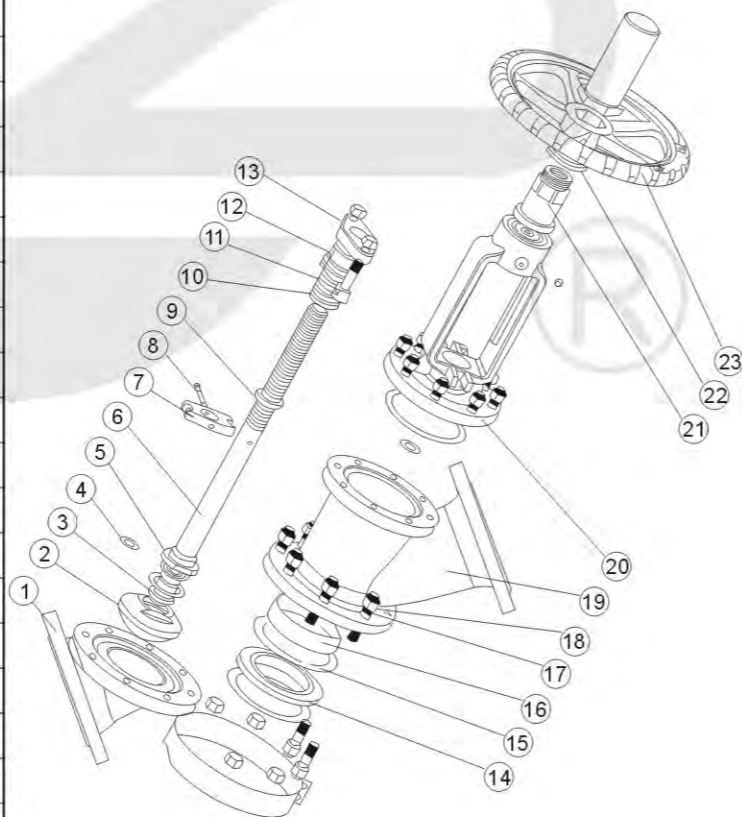
- 技术规范
  - 1、设计制造按: ASME B16.34 (Class 150为缩径设计)
  - 2、法兰端尺寸按: ASME B16.5、GB/T 9113.6
  - 3、检验标准: API 598

\*注: 国标PN2.0MPa Y型料浆阀技术规范同上述各项。
- Technical specification
  - 1、Design and production according to ASME B16.34 (reduced bore design about the products of class 150)
  - 2、The sizes of flange ends according to ASME B16.5、GB/T9113.6
  - 3、Inspecting standard: API 598

\*Notes: The technical specifications of GB PN2.0MPa Y-type slurry valves are the same as the above.

### 主要零件材质表 Form of major parts materials

序号 No.	零件名称 Accessory name	材质 Material
1	左体 Part	ASTM A216-WCB
2	阀瓣 Disc	ASTM A105+STL
3	对开圆环 Split ring	ASTM A276-420
4	O型圈 O-ring	NBR
5	阀瓣盖 Valve flat cover	ASTM A105
6	阀杆 Stem	ASTM A276-410
7	防转板 Move-proof plate	碳钢 Carbon steel
8	销轴 Pin	ASTM A193-B7
9	填料垫 Packing seat	ASTM A276-410
10	填料 Packing	柔性石墨 Graphite
11	预紧螺栓 Preloaded screw bolt	ASTM A193-B7
12	填料压套 Stuffing cover	ASTM A276-410
13	填料压盖 Gland	ASTM A216-WCB
14	阀座 Seat	ASTM A105+STL
15	垫片 Gasket	柔性石墨+不锈钢 Graphite+stainless steel
16	护板 Guard plate	AISI 9260
17	螺柱 Stud	ASTM A193-B7
18	螺母 Nut	ASTM A194-2H
19	阀体 Body	ASTM A216-WCB
20	阀盖 Bonnet	ASTM A216-WCB
21	阀杆螺母 Yoke nut	铜合金 Copper alloy
22	轴承压盖 Bearing gland	ASTM A105
23	驱动装置 Driving device	



# Y型料浆阀

## Y-TYPE SLURRY VALVE

Class 300, 400

型号 Model

WJx45Y, WJx545Y, WJx945Y



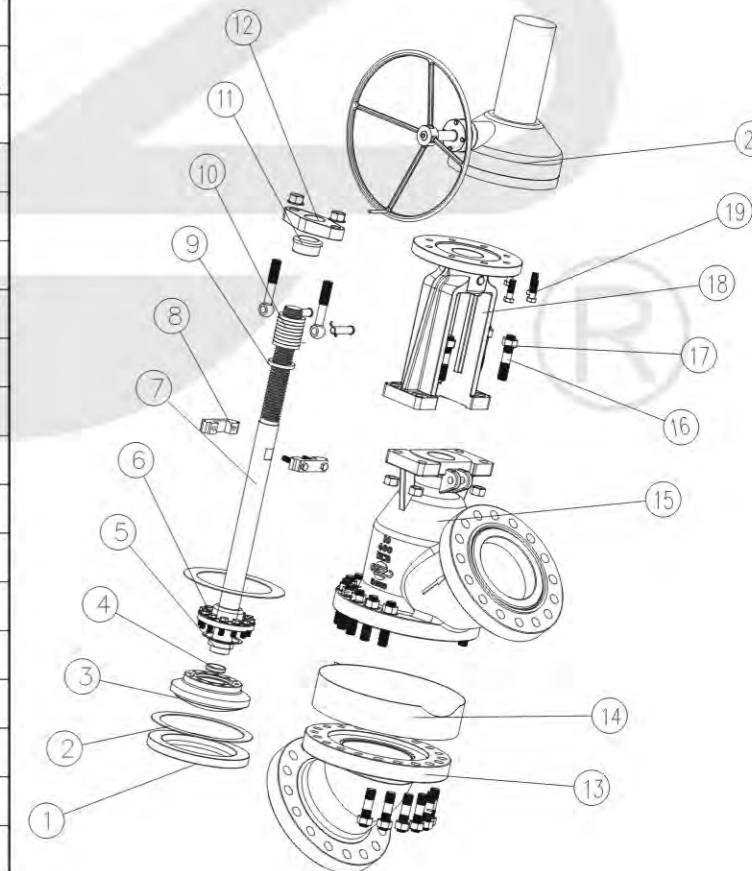
- 技术规范
  - 1、设计制造按: ASME B16.34
  - 2、法兰端尺寸按: ASME B16.5、GB/T9113.22~23
  - 3、检验标准: API 598

\*注: 国标PN5.0、10.0 MPa Y型料浆阀技术规范同上述各项。
- Technical specification
  - 1、Design and production according to ASME B16.34
  - 2、The sizes of flange ends according to ASME B16.5、GB/T9113.22~23
  - 3、Inspecting standard: API 598

\*Notes: The technical specifications of GB PN5.0、10.0Mpa Y-type slurry valves are the same as the above

### 主要零件材质表 Form of major parts materials

序号 No.	零件名称 Accessory name	材质 Material
1	阀座 Seat	ASTM A105+STL
2	垫片 Gasket	柔性石墨+不锈钢 Graphite+stainless steel
3	阀瓣 Disc	ASTM A105+STL
4	垫块 Beam pad	AISI 5140
5	对开圆环 Split ring	碳钢 Carbon steel
6	阀瓣盖 Disc cover	ASTM A105
7	阀杆 Stem	ASTM A276-410
8	防转板 Move-proof plate	ASTM A105
9	填料垫 packing seat	ASTM A276-410
10	填料 Packing	柔性石墨 Graphite
11	填料压套 Stuffing cover	ASTM A276-410
12	填料压盖 Gland	ASTM A216-WCB
13	左体 Part	ASTM A216-WCB
14	护板 Guard plate	AISI 9260
15	阀体 Body	ASTM A216 WCB
16	螺柱 Stud	ASTM A193-B7
17	螺母 Nut	ASTM A194-2H
18	支架 Yoke	ASTM A216 WCB
19	螺栓 Bolt	ASTM A193-B7
20	驱动装置 Driving device	



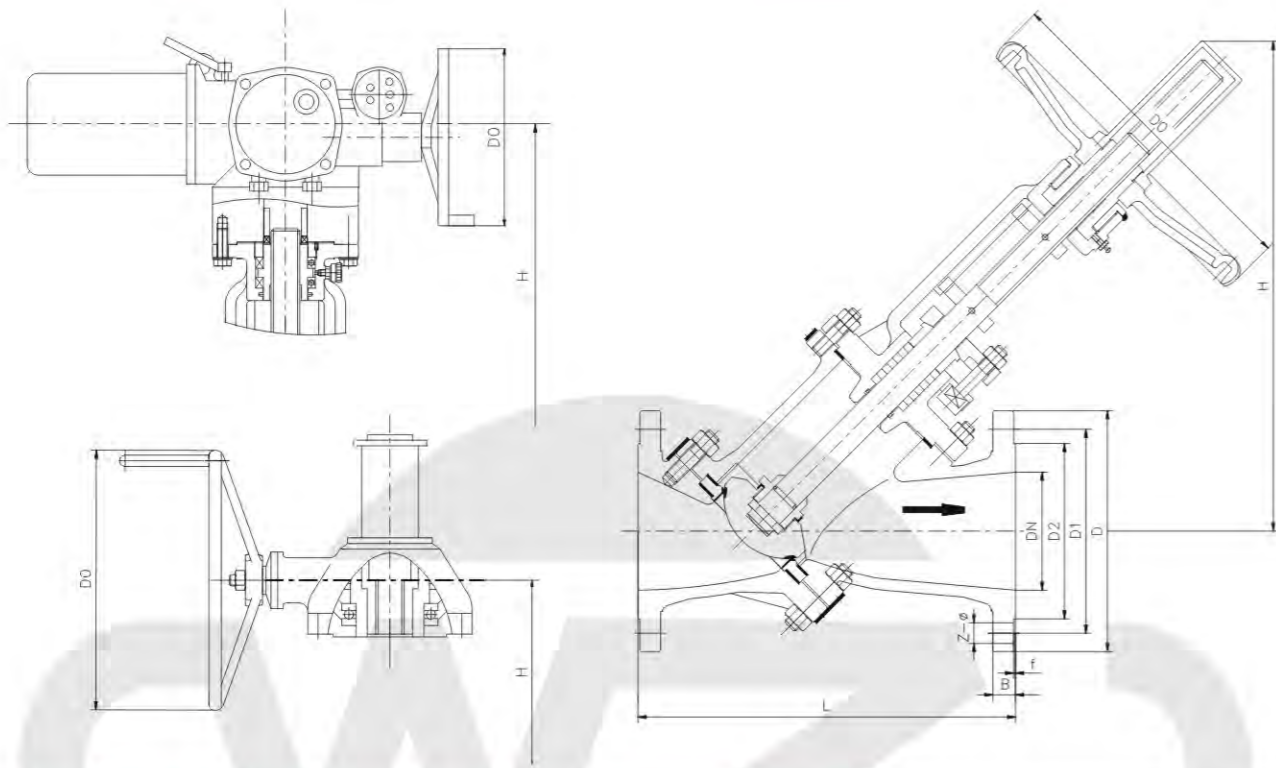
# Y型料浆阀

## Y-TYPE SLURRY VALVE

Class 150

型号 Model

WJSJ545Y WJSJ545Y WJSJ645Y



主要外形尺寸 Main Size of outside

Class 150(PN2.0MPa)

规格 size DN(mm) NPS(m)	驱动方式 Driving manners	L	D	D1	D2	B	Z-φ	f	D0	H	驱动装置* Driving device
50 2	手动 Hand Operated	230	150	120.5	92	16	4-20	2	250	307	-
80 3	手动 Hand Operated	310	190	152.5	127	19.5	4-20	2	250	386	-
100 4	手动 Hand Operated	350	230	190.5	157	24	8-20	2	250	448	-
125 5	手动 Hand Operated	400	255	216	186	24	8-22	2	320	519	-
150 6	手动 Hand Operated	480	280	214.5	216	25.5	8-22	2	360	600	-
200 8	齿动 Gear driving	600	345	298.5	270	29	8-22	2	450	795	BA-1
250 10	齿动 Gear driving	730	405	362	324	30.5	12-26	2	600	880	BA-1
300 12	齿动 Gear driving	850	485	432	381	32	12-26	2	600	935	BA-1
350 14	齿动 Gear driving	980	535	476	413	35	12-30	2	600	1088	BA-1
200 8	电动 Electric Driving	600	345	298.5	270	29	8-22	2	305	995	SMC-00
250 10	电动 Electric Driving	730	405	362	324	30.5	12-26	2	305	1045	SMC-00
300 12	电动 Electric Driving	850	485	432	381	32	12-26	2	305	1105	SMC-0
350 14	电动 Electric Driving	980	535	476	413	35	12-30	2	305	1250	SMC-0

注：\*驱动装置可根据用户要求选用。  
Notes: \*The driving device can be chosen by the user's demand.

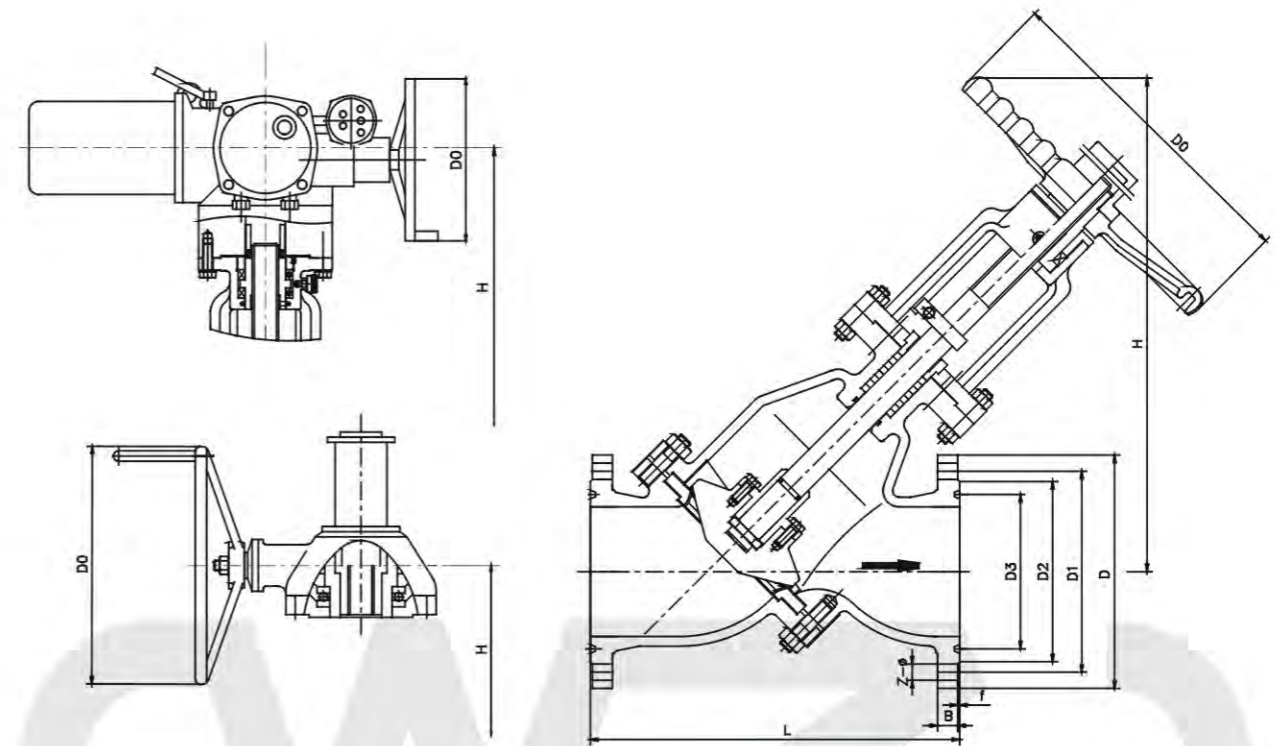
# Y型料浆阀

## Y-TYPE SLURRY VALVE

Class 300

型号 Model

WJSJ15Y WJSJ45Y WJSJ645Y



主要外形尺寸 Main Size of outside

Class 300(PN5.0MPa)

规格 size DN(mm) NPS(m)	驱动方式 Driving manners	L	D	D1	D2	D3	B	Z-φ	f	D0	H	驱动装置** Driving device
50 2	手动 Hand Operated	372(361)*	165	127	108	82.55	22.5	8-20	8	305	426	-
80 3		390	210	168.5	146	123.82	29	8-22	8	400	615	-
100 4		467(461)*	255	200	175	149.22	32	8-22	8	500	730	-
125 5		546	280	235	210	180.98	35	8-22	8	500	810	-
150 6		619	320	270	241	211.12	37	12-22	8	550	1320	BA-2
200 8	齿动 Gear driving	743(736)*	380	330	302	269.88	41.5	12-26	8	600	1450	BA-2
250 10		848(841)*	445	387.5	356	323.85	48	16-30	8	700	1430	BA-2
150 6		619	320	270	241	211.12	37	12-22	8	550	1200	SMC-1
200 8	电动 Electric Driving	743(736)*	380	330	302	269.88	41.5	12-26	8	305	1380	SMC-1
250 10		848(841)*	445	387.5	356	323.85	48	16-30	8	457	1280	SMC-2

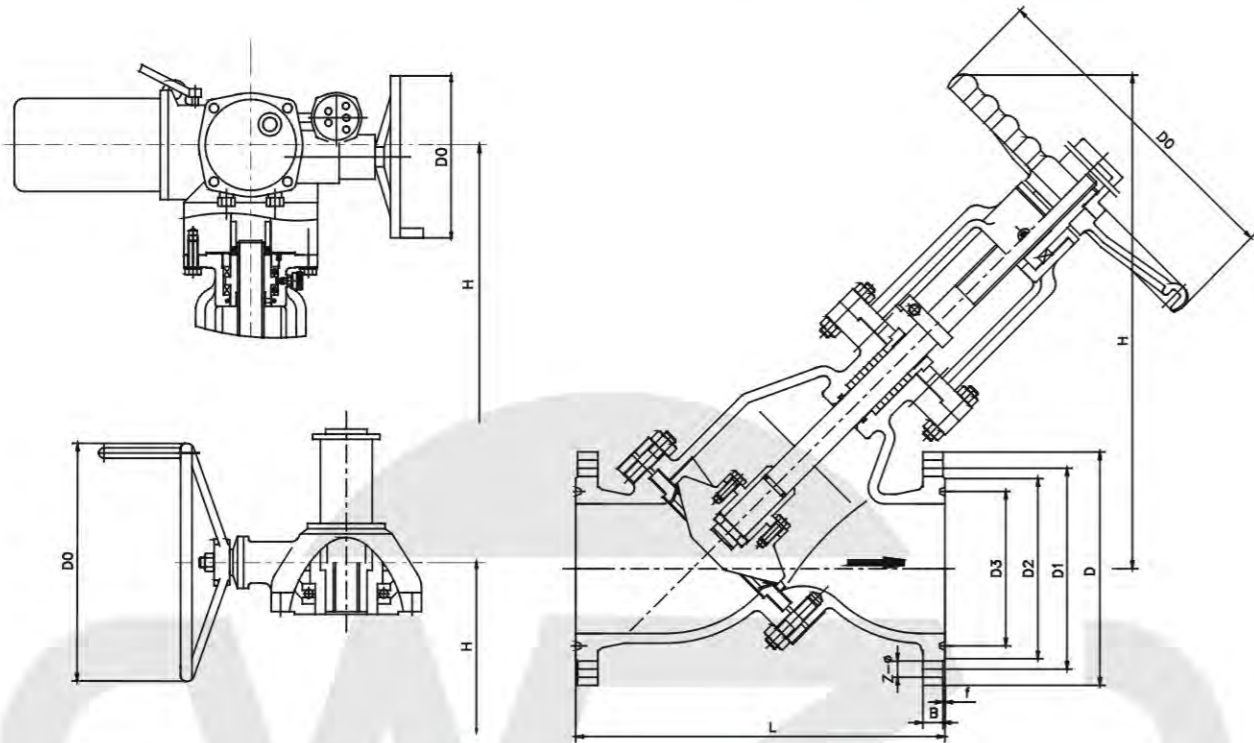
注：\*此规格结构长度L有两种系列。  
\*\*驱动装置可根据用户要求选用。  
Notes: \*The length L of the standard construction has two series.  
\*\*The driving device can be chosen by the user's demand.

Y型料浆阀  
Y-TYPE SLURRY VALVE

Class 400

Model

WJs45Y WJs645Y WJs945Y



主要外形尺寸 Main Size of outside Class 400(PN10.0MPa)

规格 size		驱动方式 Driving manners	L	D	D1	D2	D3	B	Z-φ	f	D0	H	驱动装置** Driving device
DN(mm)	NPS(in)												
50	2	手 动 Hand Operated	378	165	127	108	82.55	22.5	8-20	8	305	465	-
80	3		470	210	168.5	146	123.82	32	8-22	8	350	520	-
100	4		546	275	216	175	149.22	38.5	8-26	8	450	650	-
125	5		610	330	267	210	180.98	44.5	8-30	8	500	720	-
150	6	齿 动 Gear driving	641(634)*	355	292	241	211.12	48	12-30	8	600	1018	BA-1
200	8		771	420	349	302	269.88	55.5	12-33	8	650	1140	BA-2
250	10		880(865)*	510	432	356	323.85	63.5	16-36	8	700	1150	BA-2
150	6	电 动 Electric Driving	641(634)*	355	292	241	211.12	48	12-30	8	305	1105	SMC-0
200	8		771	420	349	302	269.88	55.5	12-33	8	400	1200	SMC-1
250	10		880(865)*	510	432	356	323.85	63.5	16-36	8	457	1280	SMC-2

注：\* 此规格结构长度L有两种系列。

\*\* 驱动装置可根据用户要求选用。

Notes: \* The length L of the standard construction has two series.

\*\*The driving device can be chosen by the user's demand.

放料阀  
DUMPING VALVE

放料阀  
DUMPING VALVE





★ 公称口径代号：以英寸表示

★ 特征代号：本公司的特征代号为W

★ 有效口径代号：s-表示Y型放料阀的缩径及角式放料阀的变径

★ 阀门类型代号：F- 阀门类型为放料阀

★ 放料口形式代号或适用介质代号：

S- 适用于泥浆等固体颗粒性介质

b- 放料阀放料口形式为平底

g- 放料阀放料口形式为带管接

★ 传动方式代号： 5- 伞齿轮传动 6- 气动 9- 电动(手动略)

★ 连接形式代号： 4- 法兰连接

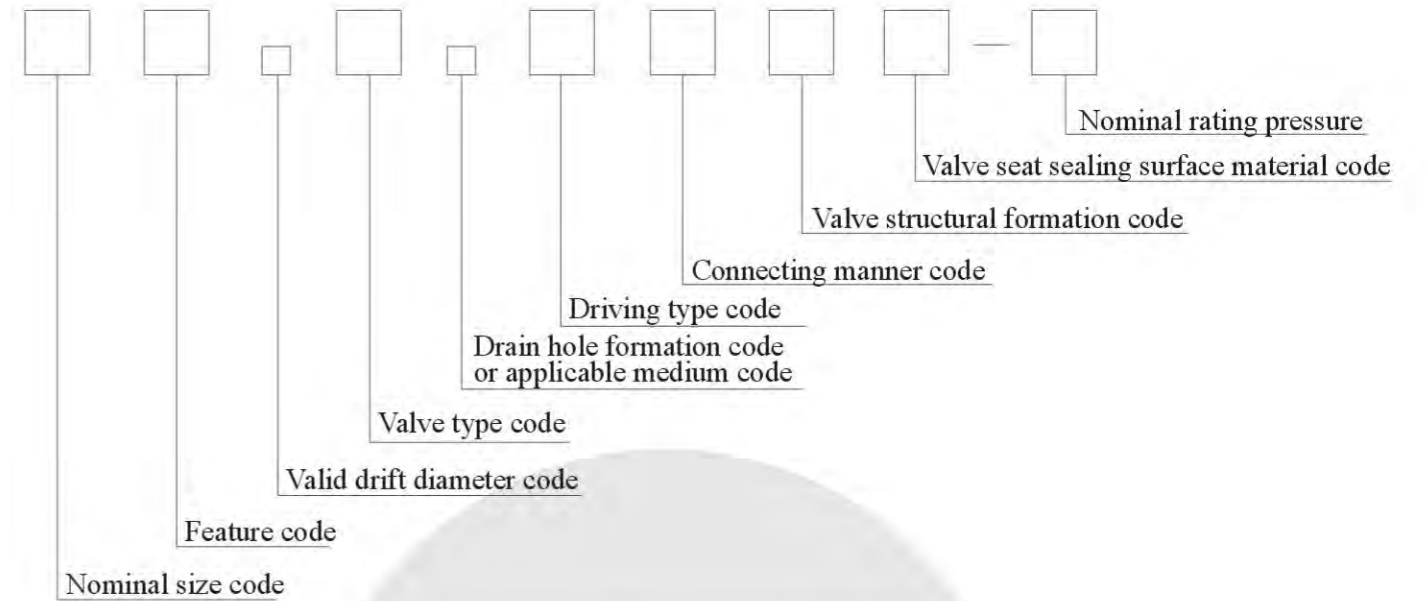
★ 阀门结构形式代号： 4- 角式 5- 直流式

★ 阀座密封面材质代号： Y- 密封面材质为硬质合金

★ 公称压力： 公称压力以压力等级数表示

例1: 10” WsFb645Y-150

表示公称口径为10”、缩口、阀门类型为截止式放料阀、放料口形式为平底、传动形式为气动、法兰连接、结构形式为直流式、密封面材质为硬质合金、公称压力为Class150。



★ Nominal size code: taking inch as measurement unit

★ Feature code: the feature code of our company is W

★ Valid drift diameter code:

s - retractive diameter of Y-type dumping valve; change diameter of angle dumping valve

★ Valve type code: F - dumping valve code

★ Drain hole formation code or applicable medium code

S - applicable to solid granule medium

b - flat bottomed drain hole of dumping valve

g - pipe connecting drain hole of dumping valve

★ Driving type code: 5 - umbrella gear driven 6 - Gas driven 9 - Electricity driven(manual driven omitted)

★ Connecting manner code: 4 - flange type

★ Valve structural formation code: 4 - angle type 5 - Y type

★ Valve seat sealing surface material code: Y - hard alloy sealing surface material

★ Nominal rating pressure: nominal rating pressure taking pound as measurement unit

Example 1: 10” WsFb645Y-150

Denoting 10” nominal size; reduced bore, stop type dumping valve; flat bottomed drain hole; air operating; flange connecting; Y-type structure; hard alloy sealing surface material; and Class 150 nominal rating pressure.

产品结构特征 Products Design Features

系列放料阀有Y型及角式两种结构形式，根据实际工况的需要，放料口的形式设计有带管接及平底两种，阀体内腔装有耐冲刷、耐腐蚀的护板，在开启阀门瞬间，可以保护阀体不被介质冲刷、腐蚀，并对其整体进行化学镀Ni.P处理，使表面硬度达到HRC60~62，具有高耐磨、耐腐蚀的优良功能。阀座密封面与阀瓣密封面均堆焊有司太立硬质合金，密封副采用线密封，保证密封，保证密封的可靠性，并可防止结疤。阀门设有防转机构，保证阀杆在开启和关闭时只做直线运动，不做回转运动。阀门驱动方式有：手动、电动、气动、齿轮传动。

The series of dumping valve has two constructions: Y-type & angle type, Pursuant to the actual needs in operation, the dumping entry has been designed into two types, pipe-connecting and flat bottom. An anti-washing and anticorrosion protection plate is set in the cavity of the valve body. At the moment of the valve opens, the plate can protect valve from washing out or erosion, and carry out chemical Ni.P plating treatment on the whole valve which makes the surface hardness reach HRC60~62. The sealing adopts spherical seal, the surface of which is line connecting. This can ensure the sealing reliability and avoid scabs. Moreover, A rotation-resistant device is set up to ensure that the valve stem only has straight line motions, and no revolving motions. The driving manners of the valve include hand driving, electric driving air operated and geared transmission.

产品规格 Products specification

型号 Models	公称压力 Nominal pressure	驱动方式 Driving manner	公称通径 Nominal size												
			2	3	4	5	6	8	10	12	14	16	20		
W(s)F45Y	Class 150	手动 Hand-Operated	☆	☆	☆	☆	☆								
	Class 300		☆	☆	☆	☆									
	Class 400		☆	☆	☆	☆									
W(s)F545Y	Class 150	齿轮传动 Gear driving						☆	☆	☆	☆				
	Class 300						☆	☆	☆						
	Class 400						☆	☆	☆						
W(s)Fb645Y	Class 150	气动 Gas driven driving					☆	☆	☆	☆	☆				
W(s)Fs44Y	Class 150	手动 Hand-Operated					☆	☆	☆						
W(s)Fs544Y	Class 150	齿轮传动 Gear driving								☆	☆	☆	☆		

注：本公司可根据用户要求提供产品  
Notes: Our company can provide products according to the customers' request.

产品性能规范 Products Performance specification

公称压力 Nominal pressure	强度试验压力(MPa) Shell test pressure	密封试验压力(MPa) Sealing test pressure	介质温度 Medium temperature	适用介质 Applicable Medium
Class 150	3.0	2.2	≤300℃	碱性氧化铝料浆 Alkaline basic alumina slurry
Class 300	7.8	5.7		
Class 400	10.5	7.7		
Class 600	15.0	11.0		

型 号 Model

WS Fg45Y, WS Fg545Y, WS Fg645Y

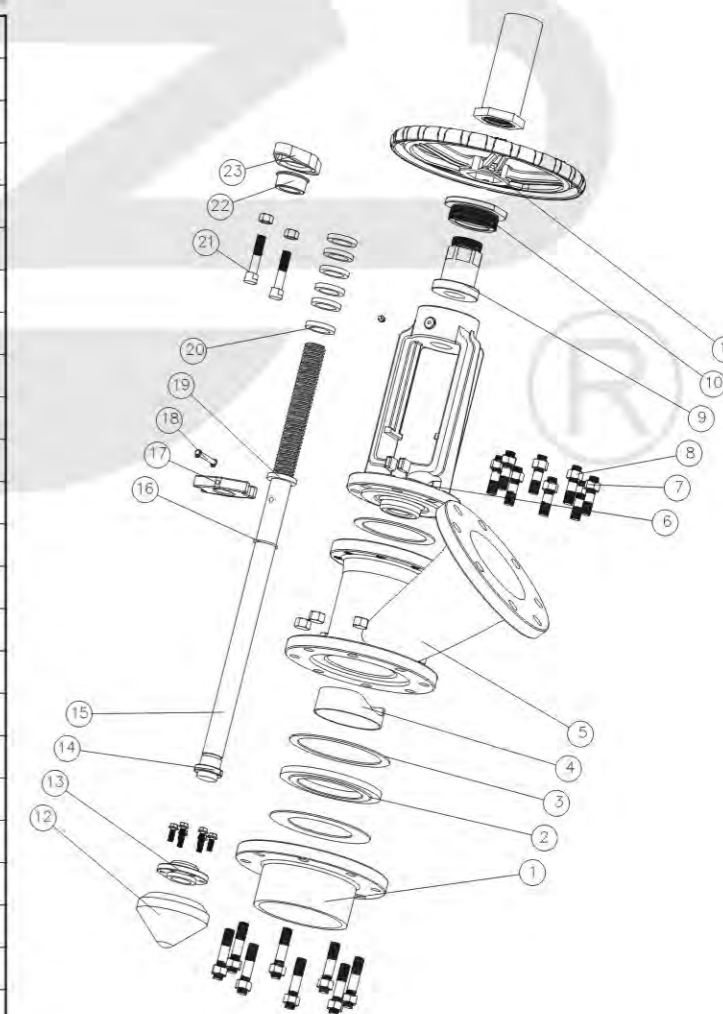


- 技术规范
  - 1、设计制造按：ASME B16.34 (Class 150为缩径设计)
  - 2、结构长度按：ASME B16.5、GB/T9113.6
  - 3、检验标准：API 598
- \*注：国标PN2.0MPa Y型管接放料阀技术规范同上述各项。

- Technical specification
  - 1、Design and production according to ASME B16.34 (reduced bore design about the products of class 150)
  - 2、The sizes of flange ends according to ASME B16.5、GB/T9113.6
  - 3、Inspecting standard: API 598
- \*Notes: The technical specifications of GB PN2.0 MPa Y-type pipe connecting dumping valves are the same as the above

主要零件材质表 Form of major parts materials

序号 No	零件名称 Accessory name	材质 Material
1	管接法兰 Flange	ASTM A105
2	阀座 Seat	ASTM A105+STL
3	垫片 Gasket	柔性石墨+不锈钢 Graphite+stainless steel
4	护板 Guard Plate	AISI 9260
5	阀体 body	ASTM A216 WCB
6	阀盖 Bonnet	ASTM A216 WCB
7	螺柱 Stud	ASTM A193-B7
8	螺母 Nut	ASTM A194-2H
9	阀杆螺母 Yoke nut	铜合金 Copper alloy
10	轴承压盖 Bearing gland	ASTM A105
11	驱动装置 Driving device	
12	阀瓣 Disc	ASTM A105+STL
13	压盖 Valve flat	ASTM A105
14	对开圆环 Split ring	碳钢 Carbon steel
15	阀杆 Stem	ASTM A276-410
16	O型圈 O-ring	橡胶 Rubber
17	防转板 Move-proof plate	ASTM A105
18	销轴 Pin	ASTM A276-420
19	填料垫 Packing seat	ASTM A276-410
20	填料 Packing	柔性石墨 Graphite
21	预紧螺栓 Preloaded screw bolt	ASTM A193-B7
22	填料压套 Stuffing cover	ASTM A276-410
23	填料压盖 Gland	ASTM A216 WCB





# Y型管接放料阀

## Y-TYPE PIPE CONNECTING DUMPING VALVE

Class 300, 400

型号 Model

WFg45Y, WFsFg545Y, WFsFg45Y



● 技术规范

- 1、设计制造按: ASME B16.34
- 2、结构长度按: ASME B16.5、GB/T9113.22~23
- 3、检验标准: API 598

\*注: 国标PN5.0、10.0MPa Y型管接放料阀技术规范同上  
述各项。

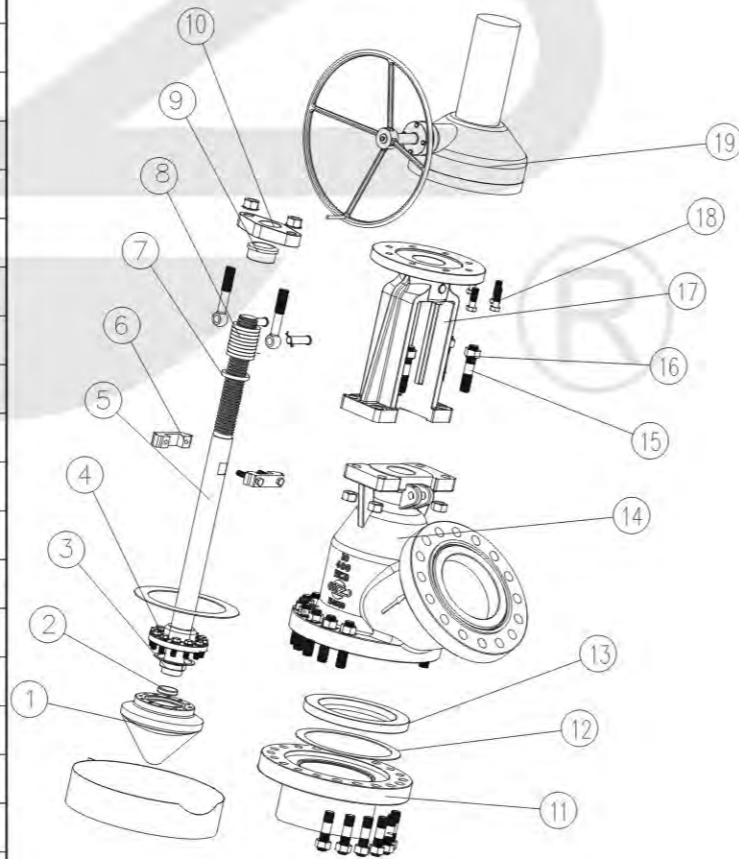
● Technical specification

- 1、Design and production according to ASME B16.34
- 2、The sizes of flange ends according to ASME B16.5、GB/T9113.22~23
- 3、Inspecting standard: API 598

\*Notes: The technical specifications of GB PN5.0、10.0 Y-type Pipe connecting dumping valves are the same as the above.

主要零件材质表 Form of major parts materials

序号 No.	零件名称 Accessory name	材质 Material
1	阀瓣 Disc	ASTM A105+STL
2	垫块 Beam pad	AISI 5140
3	对开圆环 Split ring	碳钢 Carbon steel
4	阀瓣盖 Disc cover	ASTM A105
5	阀杆 Stem	ASTM A276-410
6	防转板 Move-proof plate	ASTM A105
7	填料垫 packing seat	ASTM A276-410
8	填料 Packing	柔性石墨 Graphite
9	填料压套 Stuffing cover	ASTM A276-410
10	填料压盖 Gland	ASTM A216-WCB
11	管接法兰 Flange	ASTM A105
12	垫片 Gasket	柔性石墨+不锈钢 Graphite+stainless steel
13	阀座 Seat	ASTM A105+STL
14	阀体 Body	ASTM A216-WCB
15	螺柱 Stud	ASTM A193-B7
16	螺母 Nut	ASTM A194-2H
17	支架 Yoke	ASTM A216 WCB
18	螺栓 Bolt	ASTM A193-B7
19	驱动装置 Driving device	



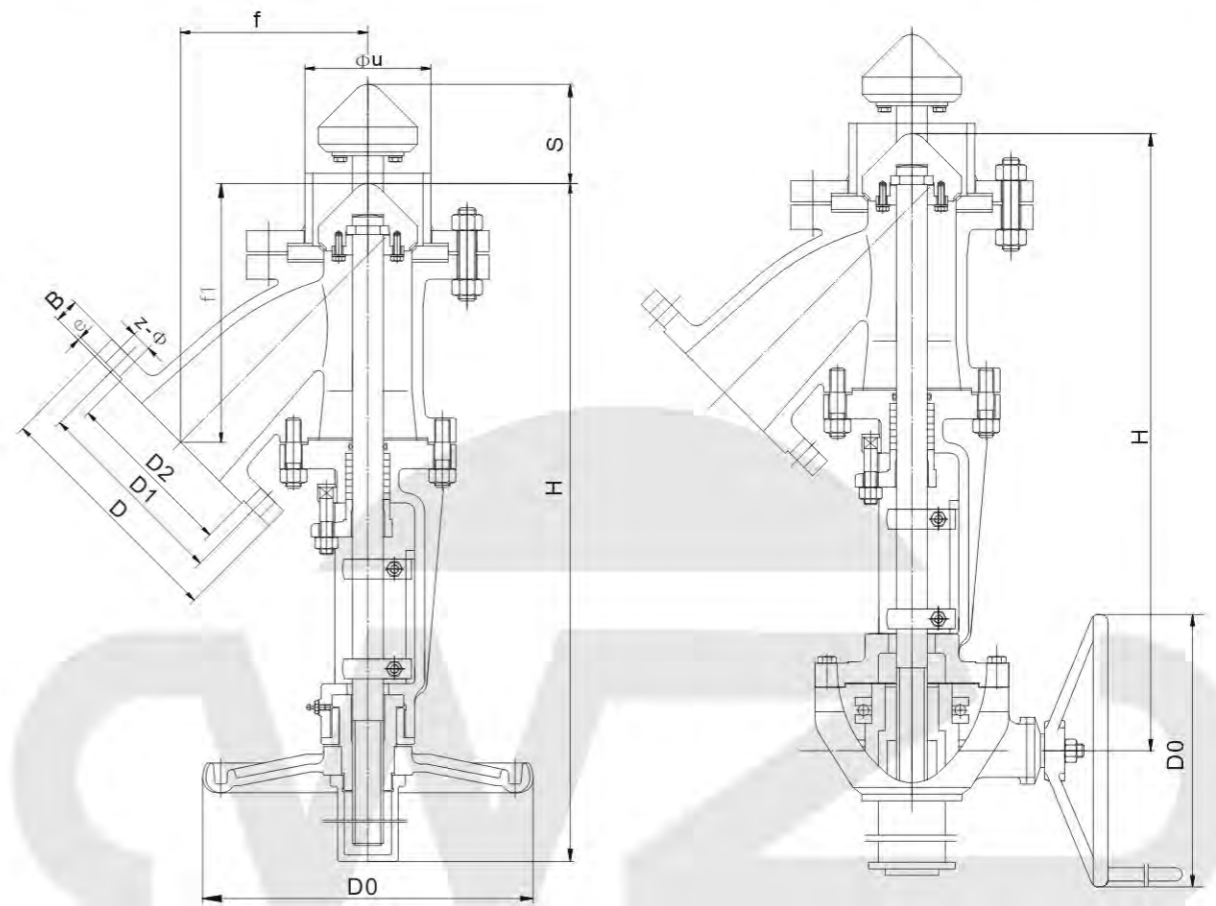
# Y型管接放料阀

## Y-TYPE PIPE CONNECTING DUMPING VALVE

Class 150

型号 Model

WVsFg45Y, WVsFg545Y, WVsFg945Y



主要外形尺寸 Main Size of outside Class 150(PN2.0MPa)

规格 size		驱动方式 Driving manners	f	f1	D	D1	D2	B	Z-φ	e	D0	H	S	φu	*驱动装置 Driving device
DN(mm)	NPS(in)														
50	2"	手动 Hand Operated	120	162	150	120.5	92	16	4-20	2	250	450	60	63.5	-
80	3"		150	200	190	152.5	127	19.5	4-20	2	250	520	80	89	-
100	4"		170	235	230	190.5	157	24	8-20	2	250	632	80	114	-
125	5"		200	275	255	216	186	24	8-22	2	320	750	100	140	-
150	6"		225	295	280	241.5	216	25.5	8-22	2	360	925	120	159	-
200	8"	齿动 Gear driving	290	350	345	298.5	270	29	8-22	2	450	1145	170	219	BA-1
250	10"		355	390	405	362	324	30.5	12-26	2	500	1320	200	273	BA-1
300	12"		420	450	485	432	381	32	12-26	2	550	1450	230	325	BA-1
350	14"		480	515	535	476	413	35	12-30	2	600	1600	260	356	BA-1

注: \*驱动装置可根据用户要求选用。

Notes: \*The driving device can be chosen by the user's demand.

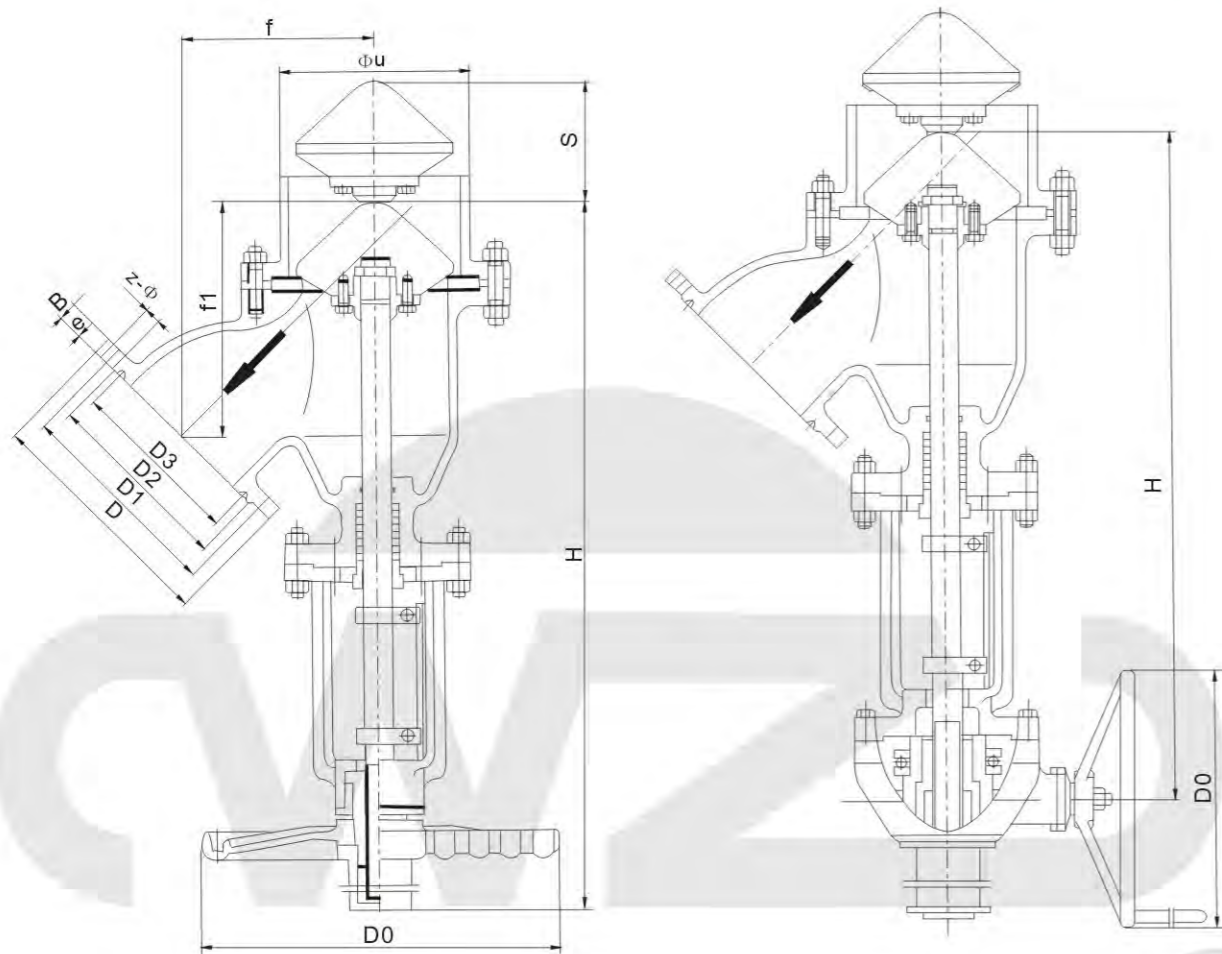
# Y型管接放料阀

## Y-TYPE PIPE CONNECTING DUMPING VALVE

Class 300

Model

WFg45Y, WFg545Y, WFg945Y



主要外形尺寸 Main Size of outside Class 300(PN5.0MPa)

规格 size DN(mm) NPS(in)	驱动方式 Driving manners	f	f1	D	D1	D2	D3	B	Z-φ	e	D0	H	S	Φu	*驱动装置 Driving device	
50	2"	手动 Hand Operated	120	162	165	127	108	82.55	22.5	8-20	8	305	465	60	63.5	-
80	3"		150	200	210	168.5	146	123.82	29	8-22	8	400	580	80	89	-
100	4"		170	235	255	200	175	149.22	32	8-22	8	500	690	80	114	-
125	5"		200	275	280	235	210	180.98	35	8-22	8	500	860	100	140	-
150	6"	齿动 Gear driving	225	295	320	270	241	211.12	37	12-22	8	550	1100	120	159	BA-2
200	8"		290	350	380	330	302	269.88	41.5	12-26	8	600	1240	220	219	BA-2
250	10"		355	390	445	387.5	356	323.85	48	16-30	8	700	1350	275	273	BA-2

注: \*驱动装置可根据用户要求选用。

Notes: \*The driving device can be chosen by the user's demand.

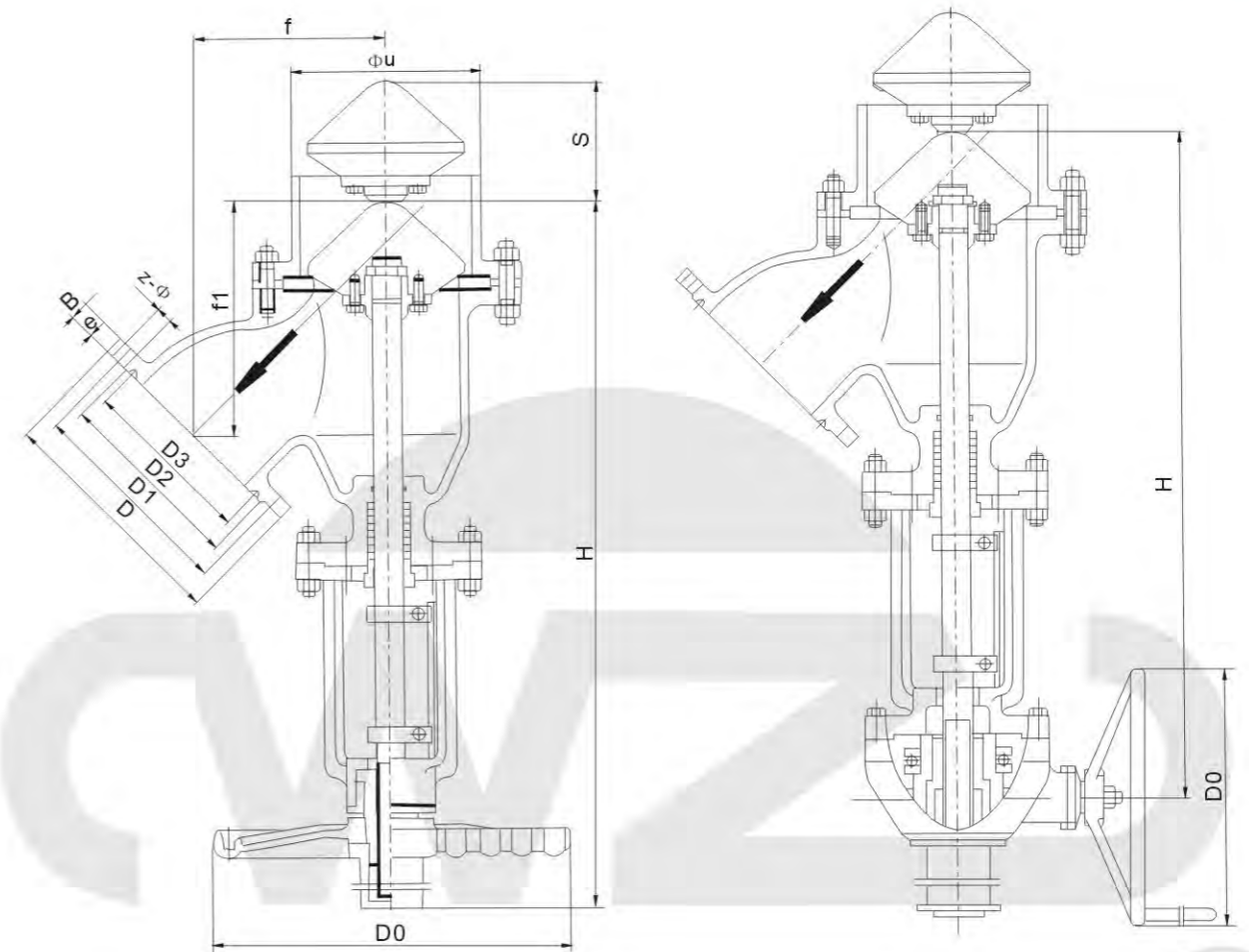
# Y型管接放料阀

## Y-TYPE PIPE CONNECTING DUMPING VALVE

Class 400

Model

WFg45Y, WFg545Y, WFg945Y



主要外形尺寸 Main Size of outside Class 400(PN10.0MPa)

规格 size DN(mm) NPS(in)	驱动方式 Driving manners	f	f1	D	D1	D2	D3	B	Z-φ	e	D0	H	S	Φu	*驱动装置 Driving device	
50	2"	手动 Hand Operated	180	240	165	127	108	82.55	25.5	8-20	8	305	465	60	63.5	-
80	3"		200	250	210	168.5	146	123.82	32	8-22	8	400	580	80	89	-
100	4"		225	295	275	216	175	149.22	38.5	8-26	8	500	690	80	114	-
125	5"		255	345	330	267	210	180.98	44.5	8-30	8	500	860	100	140	-
150	6"	齿动 Gear driving	300	390	355	292	241	211.12	48	12-30	8	550	1100	120	159	BA-2
200	8"		350	445	420	349	302	269.88	55.5	12-33	8	600	1240	220	219	BA-2
250	10"		390	490	510	432	356	323.85	63.5	16-36	8	700	1350	275	273	BA-2

注: \*驱动装置可根据用户要求选用。

Notes: \*The driving device can be chosen by the user's demand.

# Y型平底放料阀

Y-TYPE FLAT-BOTTOM DUMPING VALVE

Class 150, 300

Model

WYs/F-45Y WYs/F-545Y WYs/F-945Y



### ● 技术规范

- 1、设计制造按: ASME B16.34(CLASS 150为缩径设计)
- 2、法兰端尺寸按: ASME B16.5、GB/T9113.6、GB/T9113.22
- 3、检验标准: API 598

\*注: 国标PN2.0、PN5.0MPa Y型平底放料阀技术规范同上  
述各项。

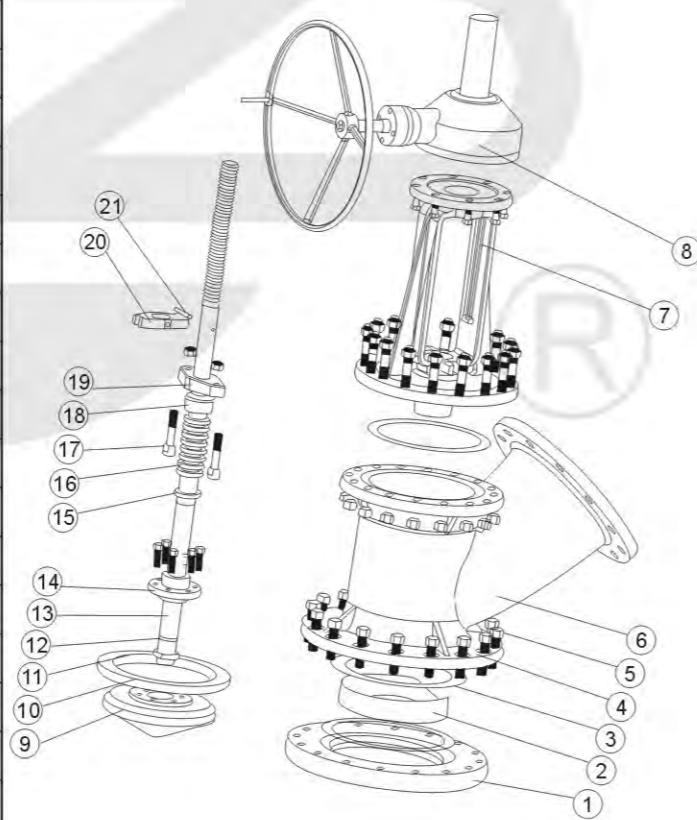
### ● Technical specification

- 1、Design and production according to ASME B16.34 (reduced bore design about the products of class 150)
- 2、The sizes of flange ends according to ASME B16.5、GB/T9113.6、GB/T9113.22
- 3、Inspecting standard: API 598

\*Notes: The technical specifications of GB PN2.0.PN5.0MPa Y-type flat bottom dumping valves are the same as the above

### 主要零件材质表 Form of major parts materials

序号 No.	零件名称 Accessory name	材质 Material
1	法兰 Flange	ASTM A105
2	护板 Guard bole	AISI 9260
3	垫片 Gasket	柔性石墨+不锈钢 Graphite+stainless steel
4	螺柱 Stud	ASTM A193-B7
5	螺母 Nut	ASTM A194-2H
6	阀体 Body	ASTM A216 WCB
7	阀盖 Bonnet	ASTM A216 WCB
8	驱动装置 Driving device	
9	阀瓣 Disc	ASTM A105+STL
10	阀座 Seat	ASTM A105+STL
11	对开圆环 Split ring	碳钢 Carbon steel
12	O型圈 O-ring	橡胶 Rubber
13	阀杆 Stem	ASTM A276-410
14	压盖 Valve flat	ASTM A105
15	填料垫 Packing seat	ASTM A276-410
16	填料 Packing	柔性石墨 Graphite
17	预紧螺栓 Preloaded screw bolt	ASTM A193-B7
18	填料压套 Stuffing cover	ASTM A276-410
19	填料压盖 Gland	ASTM A216 WCB
20	防转板 Move-proof plate	碳钢 Carbon steel
21	销轴 Pin	ASTM A276-420



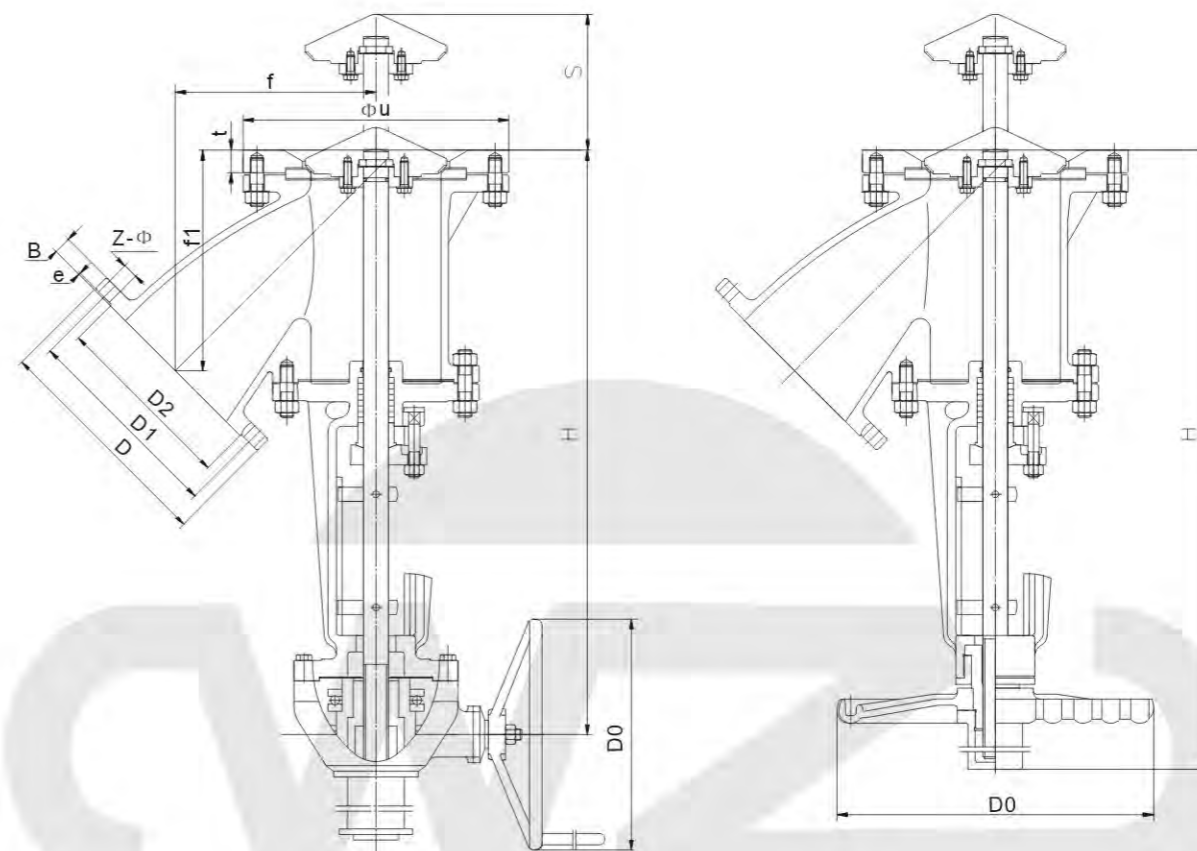
# Y型平底放料阀

Y-TYPE FLAT-BOTTOM DUMPING VALVE

Class 150

Model

WYs/F-45Y WYs/F-545Y WYs/F-945Y



### 主要外形尺寸 Main Size of outside Class 150(PN2.0MPa)

规格 size		驱动方式 Driving manners	f	f1	t	D	D1	D2	B	Z-φ	e	D0	H	S	φu	*驱动装置 Driving device
DN(mm)	NPS(in)															
50	2"	手动 Hand Operated	120	125	25	152	120.5	92	16	4-19	1.6	250	450	70	63.5	-
80	3"		150	164	30	190	152.5	127	19	4-19	1.6	250	520	90	89	-
100	4"		170	200	30	229	190.5	157	24	8-19	1.6	250	632	95	114	-
125	5"		200	255	30	254	216	186	24	8-23	1.6	320	750	120	140	-
150	6"		225	265	35	279	214.5	216	26	8-23	1.6	360	925	145	159	-
200	8"	齿动 Gear driving	290	285	40	343	298.5	270	29	8-23	1.6	450	1145	205	219	BA-1
250	10"		355	390	40	406	362	324	31	12-25	1.6	500	1320	240	273	BA-1
300	12"		420	450	40	483	432	381	32	12-25	1.6	550	1450	270	325	BA-1
350	14"		480	520	50	533	476	413	35	12-29	1.6	600	1600	305	356	BA-1

注: \*驱动装置可根据用户要求选用。

Notes: \*The driving device can be chosen by the user's demand.

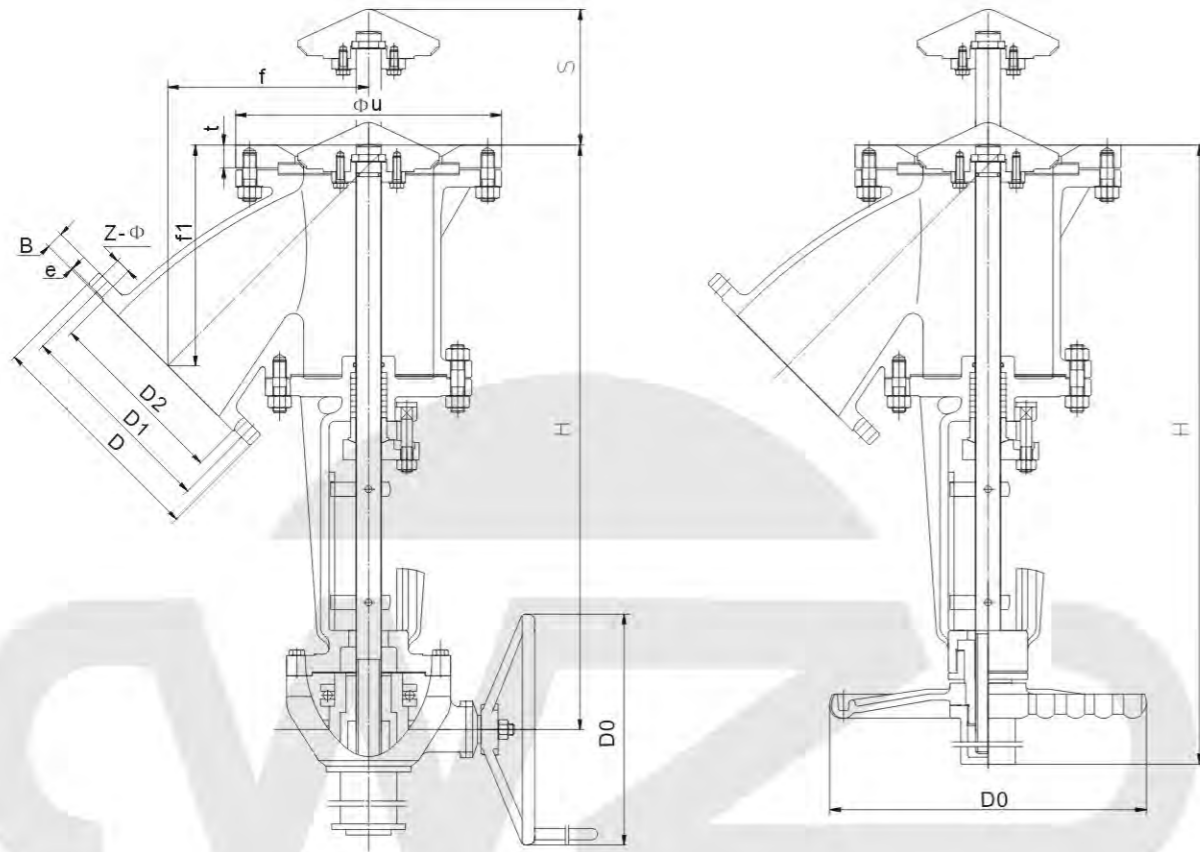
# Y型平底放料阀

Y-TYPE FLAT-BOTTOM DUMPING VALVE

Class 300

Model

WVFJ5Y, WVE515Y, WVEJ5Y



主要外形尺寸 Main Size of outside Class 300(PN5.0MPa)

规格 size		驱动方式 Driving manners	f	fl	t	D	D1	D2	D3	B	Z-φ	e	D0	H	S	φu	*驱动装置 Driving device
DN(mm)	NPS(in)																
50	2"	手动 Hand Operated	120	125	25	165	127	108	82.55	22.5	8-20	8	305	465	70	63.5	-
80	3"		150	164	30	210	168.5	146	123.82	29	8-22	8	400	580	90	89	-
100	4"		170	200	30	255	200	175	149.22	32	8-22	8	500	690	95	114	-
125	5"		200	255	30	280	235	210	180.98	35	8-22	8	500	860	120	140	-
150	6"	齿动 Gear driving	225	265	35	320	270	241	211.12	37	12-22	8	600	1100	145	159	BA-2
200	8"		290	285	40	380	330	302	269.88	41.5	12-26	8	600	1240	205	219	BA-2
250	10"		355	390	40	445	387.5	356	323.85	48	16-30	8	600	1350	240	273	BA-2

注: \*驱动装置可根据用户要求选用。

Notes: \*The driving device can be chosen by the user's demand.

# 气动Y型平底放料阀

GAS DRIVEN Y-TYPE FLAT-BOTTOM DUMPING VALVE

Class 150

Model

WVF645YF



● 技术规范

- 1、设计制造按: ASME B16.34(Class 150为缩径设计)
- 2、法兰端尺寸按: ASME B16.5、GB/T9113.6
- 3、检验标准: API 598

\*注: 国标PN2.0、PN5.0MPa Y型平底放料阀技术规范同上  
述各项。

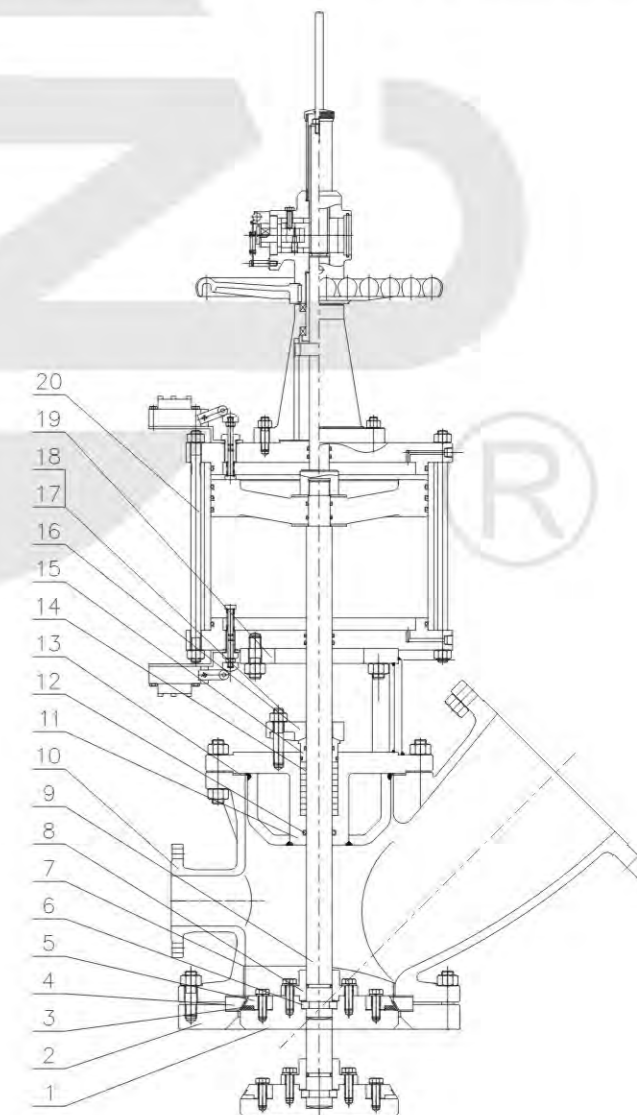
● Technical specification

- 1、Design and production according to ASME B16.34 (reduced bore design about the products of class 150)
- 2、The sizes of flange ends according to ASME B16.5、GB/T9113.6
- 3、Inspecting standard: API 598

\*Notes: The technical specifications of GB PN2.0/PN5.0MPa Y-type flat bottom dumping valves are the same as the above

主要零件材质表 Form of major parts materials

序号 No.	零件名称 Accessory name	材质 Material
1	阀瓣 Disc	ASTM A105+STL
2	法兰 Flange	ASTM A105
3	密封圈 Sealing ring	PTFE
4	阀座 Seat	ASTM A105+STL
5	压圈 Cover	ASTM A105+STL
6	对开圆环 Split ring	碳钢 Carbon steel
7	护板 Guard plate	AISI 9260
8	阀瓣盖 Disc cover	ASTM A105
9	阀杆 Stem	ASTM A276 410
10	阀体 Body	ASTM A216 WCB
11	阀盖 Bonnet	ASTM A105
12	O型圈 O-ring	橡胶 Rubber
13	垫片 Gasket	柔性石墨+不锈钢 Graphite+stainless steel
14	填料 Packing	柔性石墨 Graphite
15	填料压套 Stuffing cover	ASTM A276 410
16	填料压盖 Gland	ASTM A216 WCB
17	螺柱 Stud	ASTM A193 B7
18	螺母 Nut	ASTM A194 2H
19	支架 Yoke	ASTM A216 WCB
20	驱动装置 Driving device	



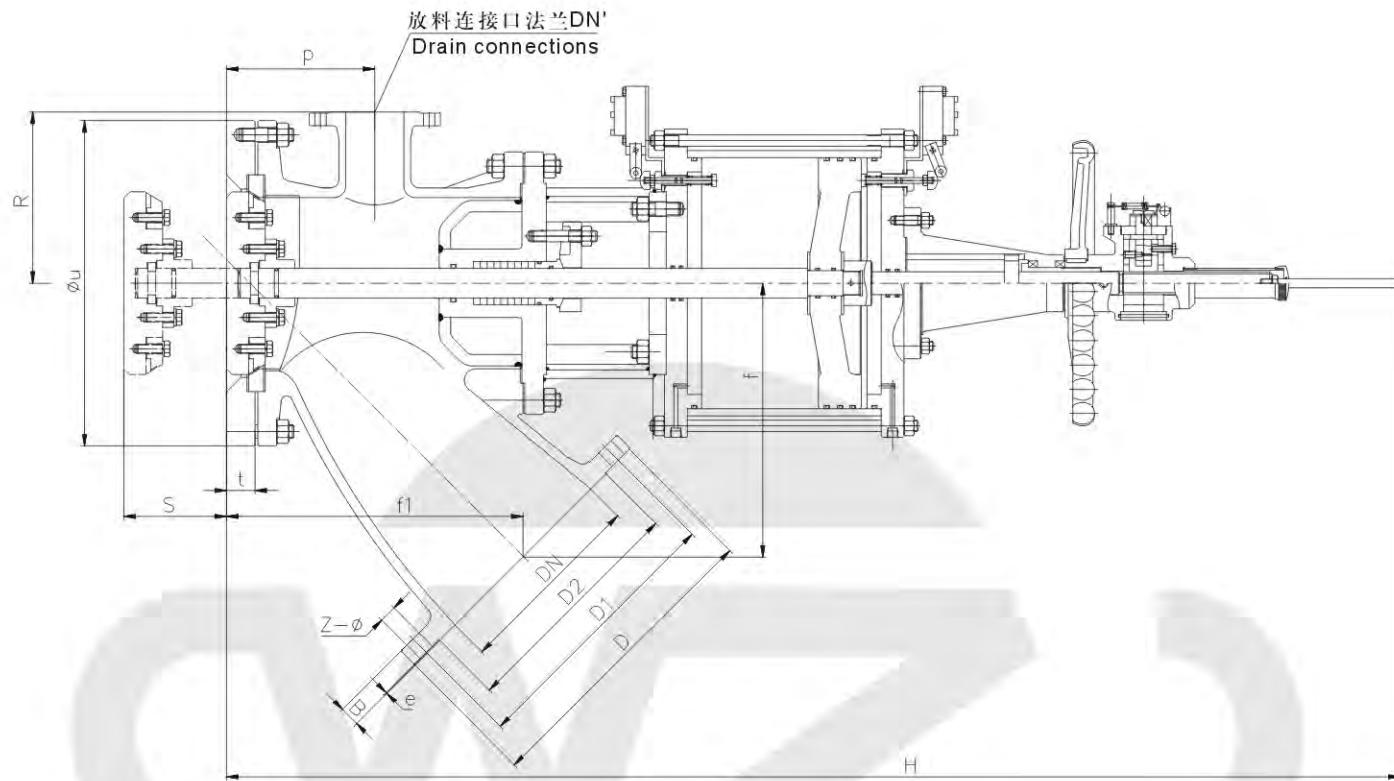
# 气动Y型平底放料阀

GAS DRIVEN Y-TYPE FLAT-BOTTOM DUMPING VALVE

Class 150

Model

W(s)F-44Y W(x)F-543Y



主要外形尺寸 Main Size of outside Class 150(PN2.0MPa)

规格		f	f1	t	D	D1	D2	B	Z-φ	e	H	S	R	φu	P	*DN'	**驱动装置 Driving device
DN(mm)	NPS(in)																
150	6	228	265	35	280	214.5	216	25.5	8-22	2	1400	125	160	270	135	50	WQSA-20
200	8	285	320	40	345	298.5	270	29	8-22	2	1600	125	210	375	200	50	WQSA-20
250	10	355	390	40	405	362	324	30.5	12-26	2	1710	180	260	470	225	80	WQSA-30
300	12	418	450	40	485	432	381	32	12-26	2	1735	180	270	510	225	100	WQSA-30
350	14	480	520	50	535	476	413	35	12-30	2	1760	180	300	570	260	100	WQSA-40

注：\* 连接尺寸按GB/T9113.6设计制造。

注：\*\* 驱动装置可根据用户要求选用。

Notes: \* The size of connections according to GB/T9113.6.

Notes: \*\* The driving device can be chosen by the user's demand.

# 角式放料阀

ANGLE TYPE DUMPING VALVE

Class 150

Model

W(s)F-44Y W(x)F-543Y



### ● 技术规范

1、设计制造按：ASME B16.34

(等径设计、变径设计)

2、法兰端尺寸按：ASME B16.5、GB/T9113.6

3、检验标准：API 598

\*注：国标PN2.0角式放料阀，技术规范同上述各项。

### ● Technical specification

1、Design and production according to ASME B16.34

(the same & different diameter design)

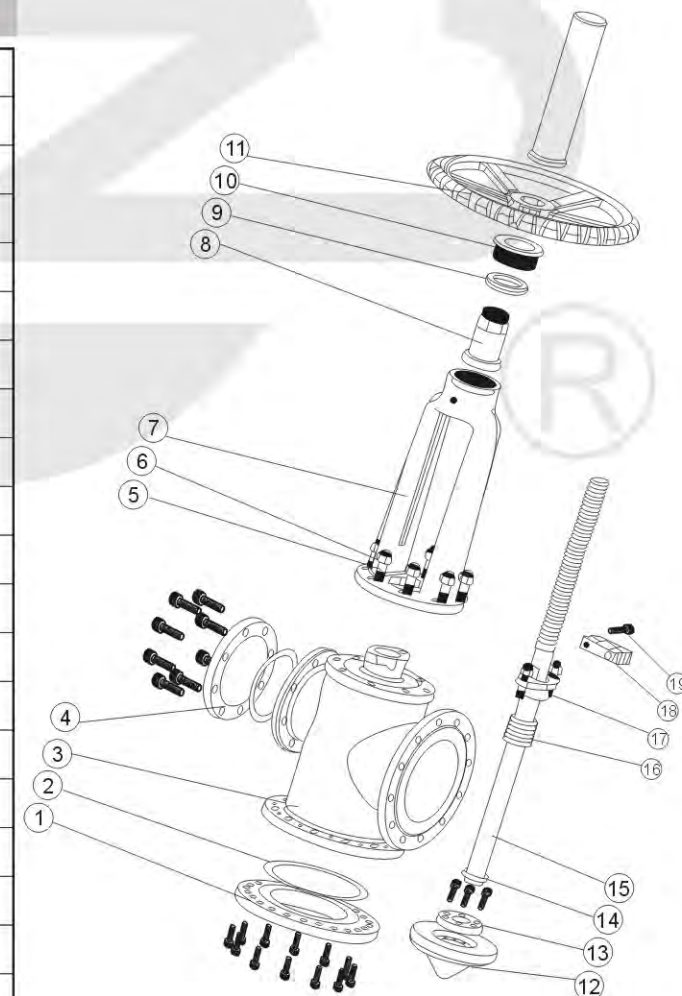
2、The sizes of flange terminal according to ASME B16.5、GB/T9113.6

3、Inspecting standard: API 598

\*Notes: The technical specifications of GB PN2.0 angle dumping valve are the same as above

主要零件材质表 Form of major parts materials

序号 No.	零件名称 Accessory name	材质 Material
1	阀座 Seat	ASTMA105+STL
2	垫片 Gasket	柔性石墨+不锈钢 Graphite+stainless steel
3	阀体 Body	ASTMA216 WCB
4	法兰盖 Flange cover	ASTMA105
5	螺柱 Stud	ASTMA193-B7
6	螺母 Nut	ASTMA194-2H
7	阀盖 Bonnet	ASTMA216 WCB
8	阀杆螺母 Yoke nut	铜合金 Capper alloy
9	轴承 Bearing	
10	轴承压盖 Bearing grand	ASTMA105
11	驱动装置 Driving device	
12	阀瓣 Disc	ASTMA105+STL
13	压盖 Valve flat	ASTMA105
14	对开圆环 Split ring	碳钢 Carbon steel
15	阀杆 Stem	ASTMA276-410
16	填料 Packing	柔性石墨 Graphite
17	填料压盖 Stuffing gland	ASTMA216 WCB
18	防转板 Move-proof plate	碳钢 Carbon steel
19	螺栓 Bolt	ASTMA193-B7



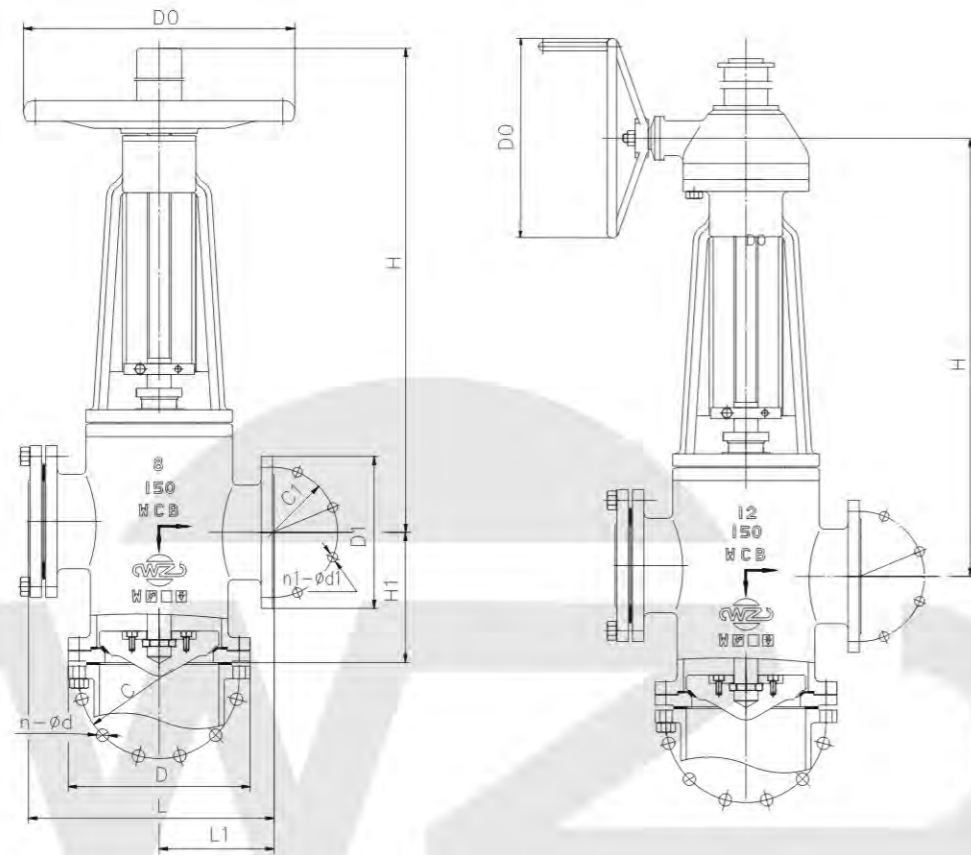
# 角式放料阀

## ANGLE TYPE DUMPING VALVE

Class 150

型号 Model

WF54Y, WFS4Y



主要外形尺寸 Main Size of outside Class 150(PN2.0MPa)

型号 Type		WFs(5)44Y (等径系列 same diameter series)											驱动装置 Driving device	
规格 size		驱动方式 Driving manners	D	C	n-φd	L	L1	D1	C1	n1-φd	D0	H1		H
DN(mm)	NPS(in)													
50	2	手动 Hand Operated	150	120.5	4-φ20	240	120	150	120.5	4-φ20	φ350	127	518	-
80	3		190	152.5	4-φ20	455	212	190	152.5	4-φ20	φ350	175	760	-
100	4		230	190.5	8-φ20	336	165	230	190.5	8-φ20	φ400	200	818	-
150	6		280	241.5	8-φ22	410	190	280	241.5	8-φ22	φ450	220	850	-
200	8		345	298.5	8-φ22	455	212	345	298.5	8-φ22	φ500	240	1200	-
250	10		405	362	12-φ26	495	230	405	362	12-φ26	φ600	290	1255	-
300	12	齿动 Gear driving	483	432	12-φ26	595	290	483	432	12-φ26	φ600	305	1300	BA-1
350	14		533	476	12-φ30	620	290	533	476	12-φ30	φ600	310	1375	BA-1
400	16		597	540	16-φ30	730	345	597	540	16-φ30	φ600	355	1450	BA-2
500	20		699	635	20-φ33	855	402	699	635	20-φ33	φ600	382	1620	BA-2

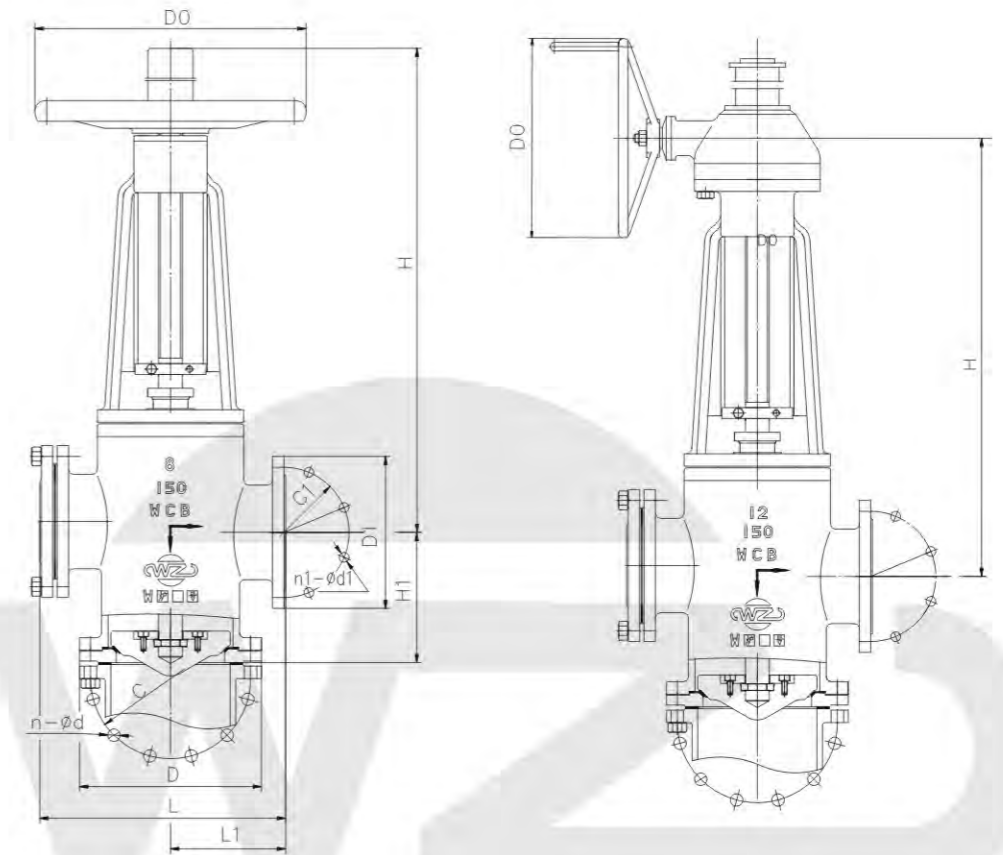
# 角式放料阀

## ANGLE TYPE DUMPING VALVE

Class 150

型号 Model

WF54Y, WFS4Y

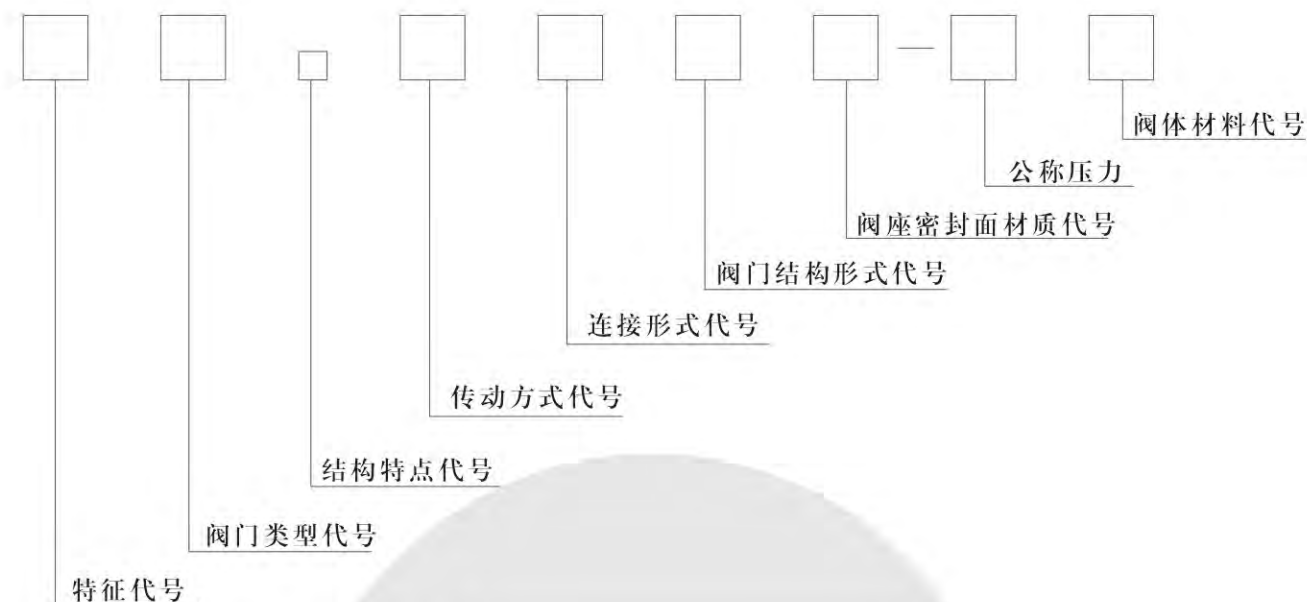


主要外形尺寸 Main Size of outside Class 150(PN2.0MPa)

型号 Type		WFS(5)44Y (变径系列 different diameter series)											驱动装置 Driving device
规格 size		驱动方式 Driving manners	D	C	n-φd	L	L1	D1	C1	n1-φd1	H1	H	
DN(mm)	NPS(in)												
100	4	手动 Hand Operated	230	190.5	8-φ20	336	165	190	152.5	4-φ20	200	818	-
150	6		280	241.5	8-φ22	410	190	230	190.5	8-φ20	220	850	-
200	8		345	298.5	8-φ22	455	212	280	241.5	8-φ22	240	1200	-
250	10		405	362	12-φ26	495	230	345	298.5	8-φ22	290	1255	-
300	12		485	432	12-φ26	595	290	405	362	12-φ26	305	1300	BA-1
350	14	齿动 Gear driving	535	476	12-φ30	620	290	485	432	12-φ26	310	1375	BA-1
400	16		600	540	16-φ30	730	345	535	476	12-φ30	355	1450	BA-2
500	20		700	635	20-φ33	855	402	635	578	16-φ33	382	1620	BA-2

# 料浆专用半球阀

## HALF BALL VALVE FOR SLURRY



★ 特征代号：本公司的特征代号为W

★ 阀门类型代号： Q-阀门类型为球阀

★ 结构特点代号： PB-双偏心式半球结构      V-V型半球结构

★ 传动方式代号： 3-蜗轮蜗杆传动    6-气动    9-电动(手动略)

★ 连接形式代号： 4-法兰连接

★ 阀门结构形式代号： 7-固定式

★ 阀座密封面材质代号：

Y-硬质合金      H-合金钢      D-渗氮钢

F-聚四氟乙烯      P-对位聚苯

★ 压力等级代号：公称压力MPa的10倍、磅级为实际数

★ 阀体材料代号：  
(相应的零件材质不详细例举)

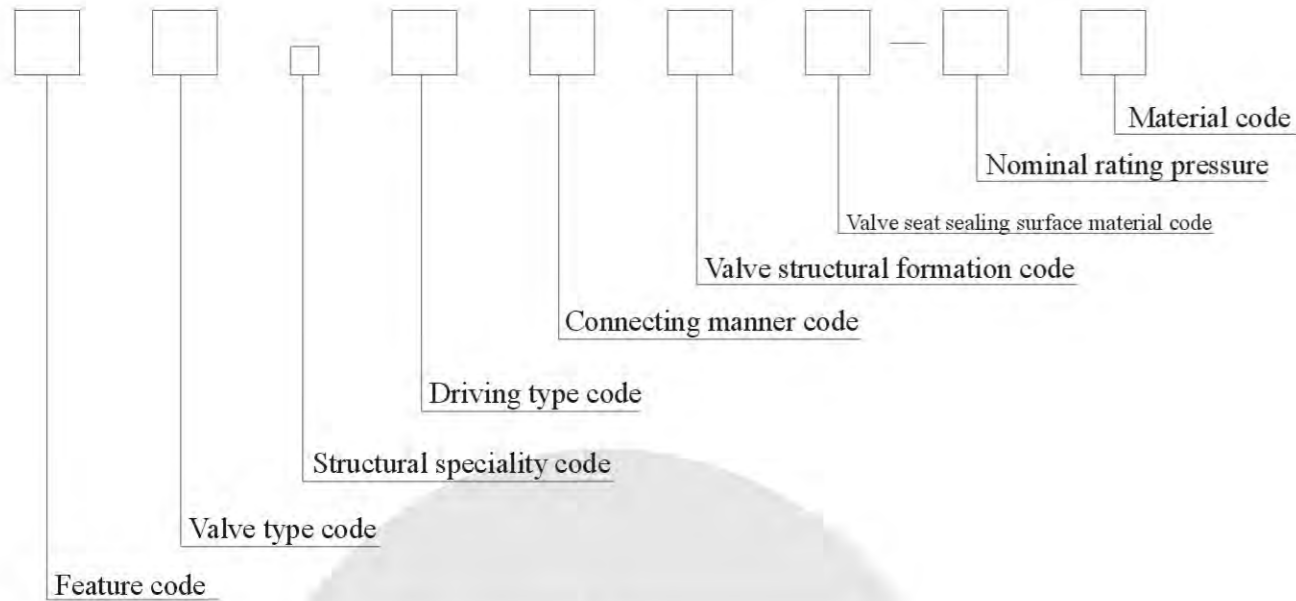
C-WCB      I-WC6、ZG1Cr5Mo

V-WC9、ZG20CrMoV      P-CF8、ZG1Cr18Ni9Ti

R-CF8、ZG1Cr18Ni12Mo2Ti

例1: WQ<sub>PB</sub>341F-25I

表示蜗轮传动、法兰连接、直通式、双偏心半球阀，阀体材料为WC6或ZG1Cr5Mo，密封阀座材质为聚四氟乙烯，公称压力为2.5MPa。



- ★ Feature code: the feature code of our company is W
- ★ Valve type code: Q – the valve type is ball valve.
- ★ Structural speciality code: PB – two-offcenter and half-ball type V – V Type & half-ball type Structure
- ★ Driving type code: 3 – Worm wheel and worm screw driving 6 – Gas driven  
9 – Electricity driven(manual driven omitted)
- ★ Connecting manner code: 4 – flange connecting
- ★ Valve structural formation code: 7 – fixed type
- ★ Valve seat sealing surface material code: Y – hard alloy H – alloy steel D – nitralloy steel  
F – polytetrafluoro ethylene P – para-polyphenyl
- ★ Pressure Grade Code: the 10 times of the nominal pressure MPa, pound grade is practical number
- ★ Body Material Code: C – WCB I – WC6、ZG1Cr5Mo  
V – WC9、ZG20CrMoV P – CF8、ZG1Cr18Ni9Ti  
R – CF8、ZG1Cr18Ni12Mo2Ti

**Example 1:** WQPB341F-25I

It expresses worm gear drive, through way type, the two-offcenter and half-ball type, the valve material is WC6 or ZG1Cr5Mo, the material of the sealing surface of the valve seat is polytetrafluoro ethylene, the nominal pressure is 2.5 MPa.

产品结构特征 Products Design Features

系列料浆专用半球阀系本公司引进国外先进技术开发研制而成的新型产品，该系列产品主要应用于输送易沉淀、结垢、结晶析出、含杂质多的介质，结构上采用偏心—楔紧原理，通过传动机构达到闸紧、调节、启闭的作用。球体结构有普通半球体及V型半球体两种结构，其中，带V型切口的半球阀除具备普通半球阀的功能外还增加了独特的调节功能。该系列产品结构新颖、性能稳定、开启迅速轻便、磨损自行补偿；密封可靠耐用，可根据不同的工况条件选用不同的密封副材质，且易于调整维修；能自行破除结垢，方便启阀，无“死区”，克服了普通阀门易结垢、易堵塞、易泄漏、寿命短等弊端；驱动装置有手动、蜗轮蜗杆传动、气动、电动。

The series of half-ball valve for a special purpose is a type of new product which was developed and invented by introducing foreign advanced technology, this series of product is mainly used for sending off those medium with so much impurity substance which is easy of depositing, fouling, separating out of the crystallisation, and the construction is adopted according to the theory of one-sided wedge of off center, all of these can have the use of the pressing of the valve, adjusting and opening and closing through the driving device. The construction of the half-ball is divided into two constructions: half-ball and V-type in which the half-ball valve with a V-type notch is added to a special adjustment function except for the function of the ordinary half-ball valve. The series of the product is novel in construction, stable in capability, speedy and handy in opening and the abrasion can be compensated by itself. The sealing is credible and durable which can be chosen by different assistant material quality according to the different working conditions and this construction is easy of adjusting and repairing; It can also break with scab by itself, be easy of opening without blind spot, conquering the disadvantage of being easy of scabbing, blocking, leaking and having short life-span; The driving device has four types: wrench operated, worm gear and worm drive, pneumatic driving and electric driving.

产品规格 Products specification

型号 Models	公称压力(MPa) Nominal pressure	驱动方式 Driving manner	公称通径 Nominal size														
			50	65	80	100	125	150	200	250	300	350	400	450	500	600	
WQPB(V)47F (P、H、Y、D)	1.0	手 动 Hand-Operated	☆	☆	☆	☆	☆	☆	-	-	-	-	-	-	-	-	
	1.6		☆	☆	☆	☆	☆	☆	-	-	-	-	-	-	-	-	
WQPB(V)347F (P、H、Y、D)	1.0	蜗轮蜗杆 传动 Worm wheel and worm screw driving	-	-	☆	☆	☆	☆	☆	☆	☆	☆	☆	☆	☆	☆	
	1.6		-	-	☆	☆	☆	☆	☆	☆	☆	☆	☆	☆	☆	-	
	2.5		-	-	☆	☆	☆	☆	☆	☆	☆	☆	☆	☆	☆	-	-
	4.0		-	-	☆	☆	☆	☆	☆	☆	☆	☆	☆	-	-	-	-
WQPB(V)947F (P、H、Y、D)	1.0	电 动 Electric Driving	-	-	☆	☆	☆	☆	☆	☆	☆	☆	☆	☆	☆	☆	
	1.6		-	-	☆	☆	☆	☆	☆	☆	☆	☆	☆	☆	☆	-	
	2.5		-	-	☆	☆	☆	☆	☆	☆	☆	☆	☆	☆	☆	-	-
	4.0		-	-	☆	☆	☆	☆	☆	☆	☆	☆	☆	-	-	-	-

注：本公司可根据用户要求提供产品  
Notes: Our company can provide products according to the customers' request.

产品性能规范 Products Performance specification

公称压力(MPa) Nominal pressure	壳体试验压力(MPa) Shell test pressure	密封试验压力(MPa) Sealing test pressure	介质温度 Medium temperature	适用介质 Applicable Medium
1.0	1.5	1.1	≤ 425℃	工业浆液、料浆灰渣 等含颗粒性介质 The industrial seriflux, the slurry ash etc conta in the grainy medium.
1.6	2.4	1.8		
2.5	3.8	2.8		
4.0	6.0	4.4		



# 料浆专用半球阀 HALF BALL VALVE FOR SLURRY

型号 Model

WQ100(S, 11M75)P H, Y, D



### ● 技术规范

- 1、设计制造按：GB/T 12237
- 2、结构长度按：GB/T 12221
- 3、法兰端尺寸按：GB/T 9115.8~11
- 4、检验标准按：GB/T 13927
- 5、驱动方式：手动、电动、蜗轮蜗杆传动

\*注：系列连接法兰尺寸可根据用户要求设计制造

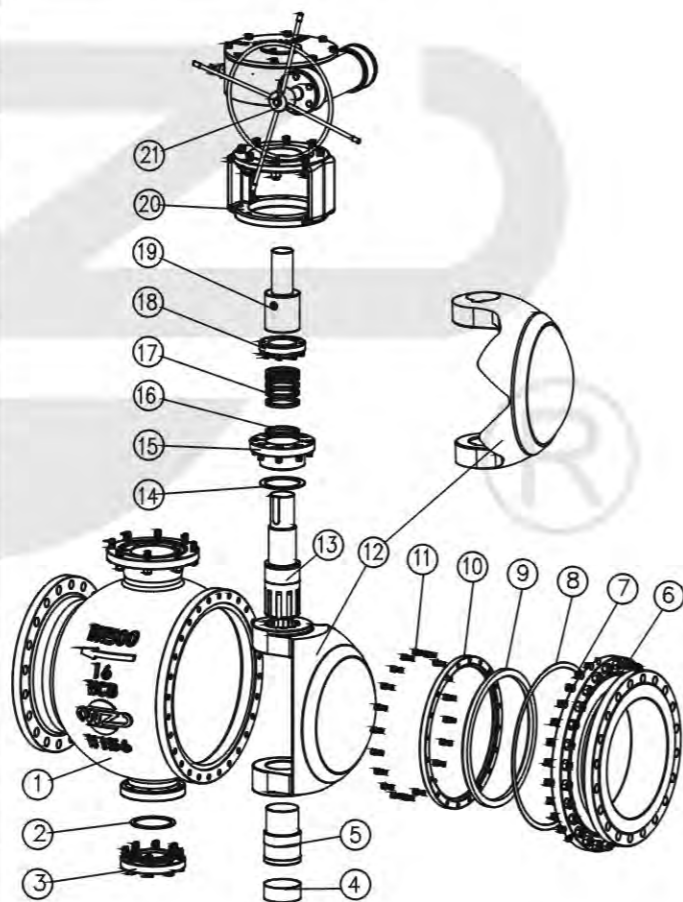
### ● Technical specification

- 1、Design and production according to GB/T 12237
- 2、Structural length to GB/T 12221
- 3、The sizes of flange ends according to GB/T 9115.8~11
- 4、Inspecting standard to GB/T 13927
- 5、Driving manner: Hand-operated、Electric driving、Worm wheel and worm screw driving

\*Notes: The sizes of serial valve connecting flange can be designed according to customers' requirement.

### 主要零件材质表 Form of major parts materials

序号 No.	零件名称 Accessory name	材质 (ASTM) Material
1	阀体 Body	A216-WCB
2	垫片 Gasket	柔性石墨+不锈钢 Graphite+stainless steel
3	底盖 Bottom cover	A105
4	衬套 Bushing	PTFE+stainless steel
5	下阀杆 Stem	A276-410
6	右体 Part	A216-WCB
7	螺柱 Stud	A193-B7
8	垫片 Gasket	柔性石墨+不锈钢 Graphite+stainless steel
9	密封圈* Sealing ring	PTFE
10	压紧圈 The pressing ring	ASTM A105
11	螺钉 Screw	A193-B7
12	半球体** Half ball	A216-WCB+HCr
13	上阀杆 Stem	A276-410
14	垫片 Gasket	PTFE
15	阀盖 Bonnet	A105
16	填料垫 Packing seat	A276-410
17	填料 Packing	柔性石墨 Graphite
18	填料压套 Stuffing cover	A105
19	连接套 Connect set	AISI 1045
20	支架 Yoke	A216-WCB
21	驱动机构 Driving device	



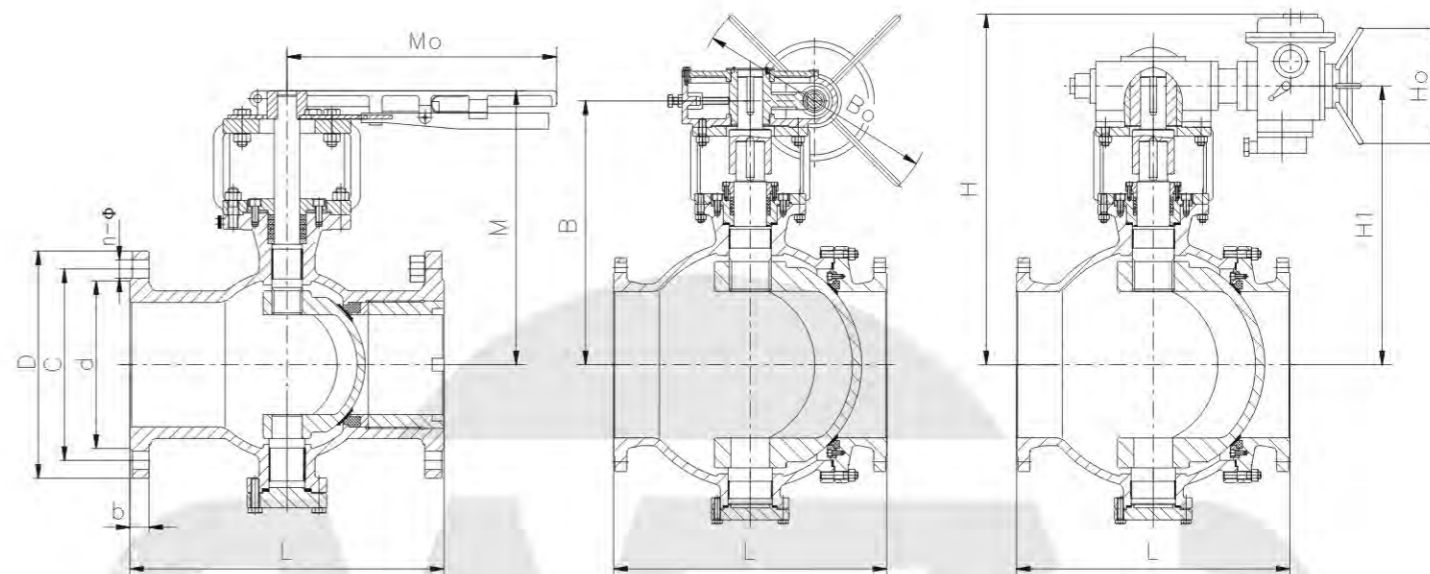
注：\*主要零部件及密封面材质可根据实际工况条件设计选用。  
\*\*半球体的结构可根据实际工况需要选用不同的结构。  
Notes: \* The main part and the material quality of the sealing surface can be designed and used according to the practical working conditions.  
\*\* The construction of the half-ball can be used by different construction according to the need of the practical working conditions.

# 料浆专用半球阀 HALF BALL VALVE FOR SLURRY

PN 1.0MPa

型号 Model

WQ100(S, 11M75)P H, Y, D



### 主要外形尺寸 Main Size of outside PN1.0MPa

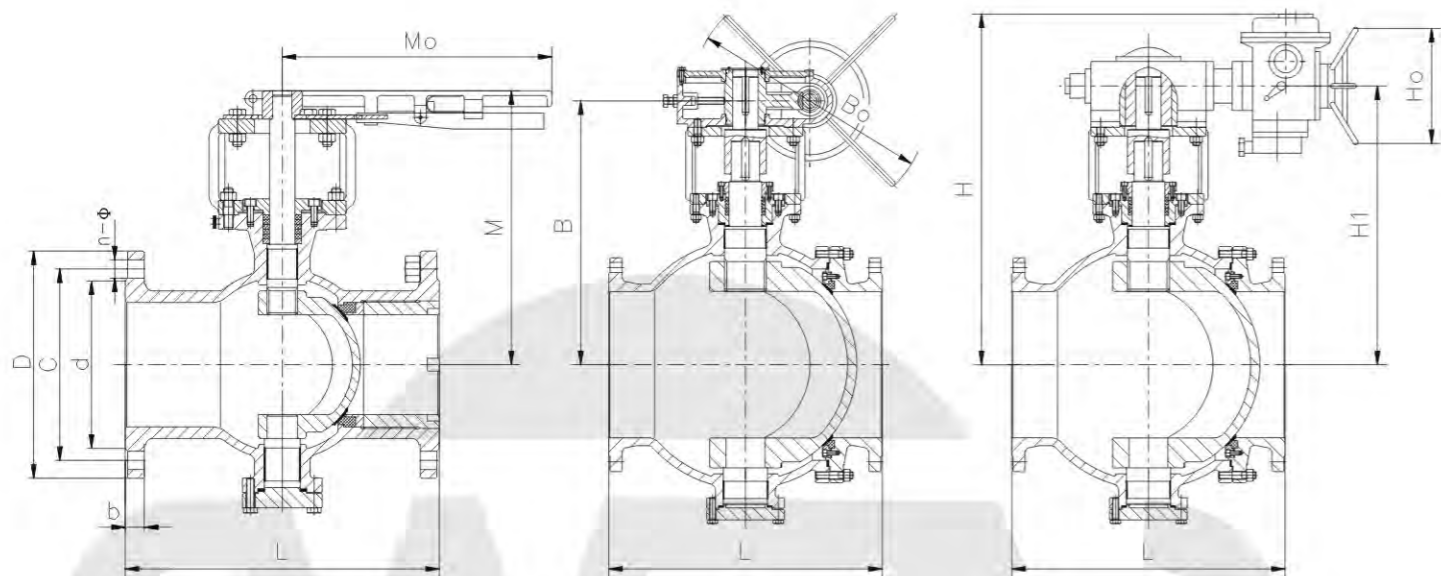
规格 Size	L	D	C	d	b	n-φ	手 动 Hand-operated			蜗 轮 蜗 杆 传 动 Worm wheel and worm screw driving				电 动 Electric Driving				
							M	Mo	重量 Weight	B	Bo	驱动装置 Driving device	重量 Weight	H	H1	H0	驱动装置 Driving device	重量 Weight
50	178	165	125	99	20	4-φ18	160	250	17	-	-	-	-	-	-	-	-	-
65	190	185	145	118	20	4-φ18	195	250	18	-	-	-	-	-	-	-	-	-
80	203	200	160	132	20	8-φ18	215	300	22	255	200	O型	30	454	359	190	Q60-1	100
100	229	220	180	156	22	8-φ18	250	300	30	290	300	A型	40	493	398	190	Q60-1	135
125	254	250	210	184	22	8-φ18	290	350	45	330	300	A型	65	574	424	400	Q120-1	192
150	267	285	240	211	24	8-φ22	295	400	53	350	300	A型	74	646	496	400	Q120-1	200
200	292	340	295	266	24	8-φ22	-	-	-	390	400	B型	100	678	528	400	Q120-1	225
250	394	395	350	319	26	12-φ22	-	-	-	515	400	B型	195	652	435	200	SMC-04/H0BC	360
300	419	445	400	370	26	12-φ22	-	-	-	545	600	C型	250	761	480	280	SMC-04/H1BC	415
350	550	505	460	429	26	16-φ22	-	-	-	590	600	C型	369	771	520	280	SMC-03/H2BC	435
400	600	565	515	480	26	16-φ26	-	-	-	625	600	C型	450	831	580	280	SMC-00/H3BC	542
450	650	615	565	530	28	20-φ26	-	-	-	660	600	D型	600	921	670	305	SMC-00/H3BC	672
500	700	670	620	582	28	20-φ26	-	-	-	695	800	D型	730	943	770	305	SMC-00/H3BC	892
600	800	780	725	682	30	20-φ30	-	-	-	732	800	D型	850	1123	850	305	SMC-0/H4BC	995

料浆专用半球阀  
HALF BALL VALVE FOR SLURRY

PN1.6MPa

型号 Model

WQ100(J) 3M7R(P, H, Y, D)



主要外形尺寸 Main Size of outside PN1.6MPa

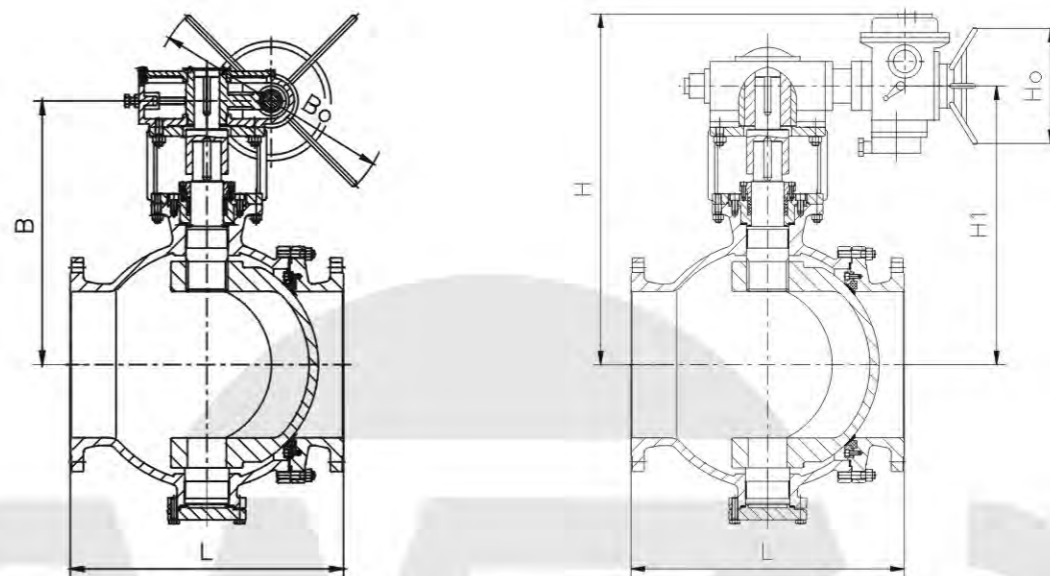
型号 Type	L	D	C	d	b	n-φ	手 动 Hand-operated		蜗轮蜗杆传动 Worm wheel and worm screw driving				电 动 Electric Driving							
							M	Mo	重量 Weight	B	Bo	驱动装置 Driving device	重量 Weight	H	H1	H0	驱动装置 Driving device	重量 Weight		
50	178	165	125	99	20	4-φ18	160	250	17	-	-	-	-	-	-	-	-	-	-	-
65	190	185	145	118	20	4-φ18	195	250	18	-	-	-	-	-	-	-	-	-	-	-
80	203	200	160	132	20	8-φ18	215	300	22	255	200	O型	30	454	359	190	Q60-1	100		
100	229	220	180	156	22	8-φ18	250	300	30	290	300	A型	40	493	398	190	Q60-1	135		
125	254	250	210	184	22	8-φ18	290	350	45	330	300	A型	65	574	424	400	Q120-1	192		
150	267	285	240	211	24	8-φ22	295	400	53	350	300	A型	74	646	496	400	Q120-1	200		
200	292	340	295	266	24	12-φ22	-	-	-	390	400	B型	105	678	528	400	Q120-1	230		
250	394	405	355	319	26	12-φ26	-	-	-	515	400	B型	200	652	435	200	SMC-04/H0BC	370		
300	419	460	410	370	28	12-φ26	-	-	-	545	600	C型	250	761	480	280	SMC-04/H1BC	425		
350	550	520	470	429	30	16-φ26	-	-	-	590	600	C型	375	771	520	280	SMC-03/H2BC	450		
400	600	580	525	480	32	16-φ30	-	-	-	625	600	C型	460	831	580	280	SMC-00/H3BC	557		
450	650	640	585	548	34	20-φ30	-	-	-	660	600	D型	610	921	670	305	SMC-00/H3BC	690		
500	700	715	650	609	36	20-φ33	-	-	-	695	800	D型	750	943	770	305	SMC-00/H3BC	913		

料浆专用半球阀  
HALF BALL VALVE FOR SLURRY

PN2.5MPa

型号 Model

WQ100(J) 3M7R(P, H, Y, D)



主要外形尺寸 Main Size of outside PN2.5MPa

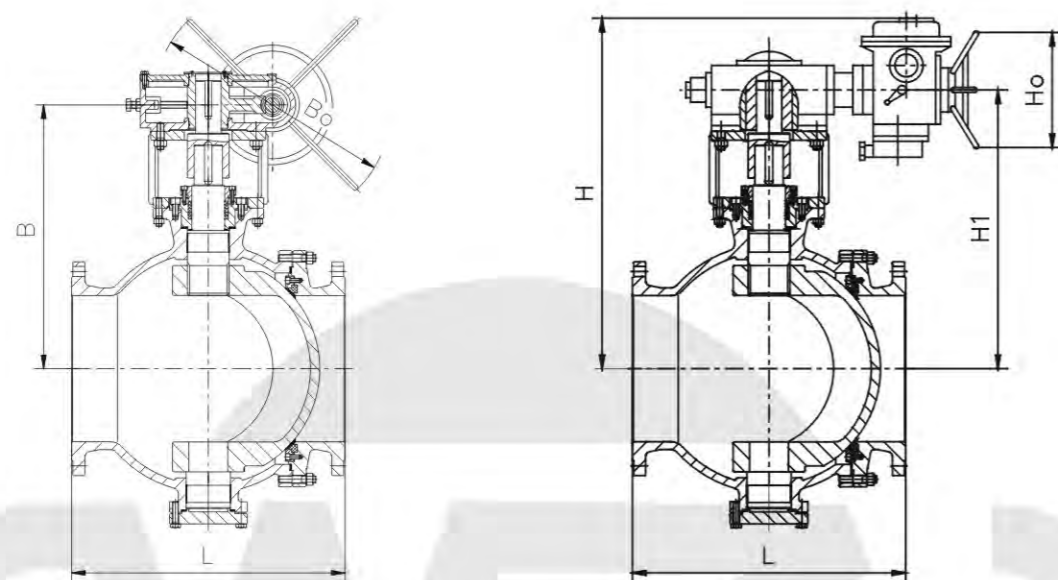
规格 Size	L	D	C	d	b	n-φ	蜗轮蜗杆传动 Worm wheel and worm screw driving				电 动 Electric Driving				
							B	Bo	驱动装置 Driving device	重量 Weight	H	H1	H0	驱动装置 Driving device	重量 Weight
80	203	200	160	132	24	8-φ18	255	300	A型	32	579	484	190	Q60-1	105
100	229	235	190	156	24	8-φ22	290	300	A型	48	595	500	190	Q60-1	145
125	254	270	220	184	26	8-φ26	330	300	A型	68	650	500	400	Q120-1	195
150	267	300	250	211	28	8-φ26	350	400	B型	85	739	589	400	Q120-1	205
200	292	360	310	274	30	12-φ26	390	400	B型	113	799	649	400	Q120-1	245
250	394	425	370	330	32	12-φ30	515	400	B型	203	652	435	200	SMC-04/H1BC	378
300	419	485	430	389	34	16-φ30	545	600	C型	260	761	480	280	SMC-04/H1BC	440
350	550	555	490	448	38	16-φ33	590	600	C型	375	771	520	280	SMC-04/H1BC	460
400	600	620	550	503	40	16-φ36	625	800	D型	475	831	580	280	SMC-04/H1BC	580
450	650	670	600	548	42	22-φ36	660	800	D型	625	921	670	305	SMC-04/H1BC	715

料浆专用半球阀  
HALF BALL VALVE FOR SLURRY

PN4.0MPa

型号 Model

WQ<sub>80</sub>(J, SM1F)(P, H, Y, D)



主要外形尺寸 Main Size of outside

PN4.0MPa

规格 Size	L	D	C	d	b	n-Φ	蜗轮蜗杆传动 Worm wheel and worm screw driving				电 动 Electric Driving				
							B	B <sub>0</sub>	驱动装置 Driving device	重量 Weight	H	H <sub>1</sub>	H <sub>0</sub>	驱动装置 Driving device	重量 Weight
80	203	200	160	132	24	8-Φ18	255	300	A型	32	579	484	190	Q60-1	105
100	229	235	190	156	24	8-Φ22	290	300	A型	48	595	500	190	Q60-1	145
125	254	270	220	184	26	8-Φ26	330	400	B型	68	650	500	400	Q120-1	195
150	267	300	250	211	28	8-Φ26	350	400	B型	85	739	589	400	Q120-1	205
200	292	375	320	284	34	12-Φ30	390	400	B型	120	799	649	400	Q120-1	250
250	394	450	385	345	38	12-Φ33	515	600	C型	208	652	435	200	SMC-04/HIBC	445
300	419	515	450	409	42	16-Φ33	545	600	C型	265	761	480	280	SMC-04/HIBC	465
350	550	580	510	465	46	16-Φ36	590	800	D型	383	771	520	280	SMC-04/HIBC	588

疏水阀  
STEAM TRAP

疏水阀  
STEAM TRAP



# WBK系列双金属片式蒸汽疏水阀

WBK SERIES BIMETAL STEAM TRAP

WBK151, WBK154, WBK156, WBK274, WBK276, WBK284, WBK286

## 型号规格说明 Performance specification

型号 Type	压力 Pressure	连接方式 connection type
WBK151	PN4.0MPa	螺纹连接 Threaded connection
WBK154	PN4.0MPa	法兰连接 Flange connection
WBK156	PN4.0MPa	承插焊连接 Socket welding connection
WBK274	PN6.4MPa	法兰连接 Flange connection
WBK276	PN6.4MPa	承插焊连接 Socket welding connection
WBK284	PN10.0MPa	法兰连接 Flange connection
WBK286	PN10.0MPa	承插焊连接 Socket welding connection

## 主要零件材质表 Form of major parts materials

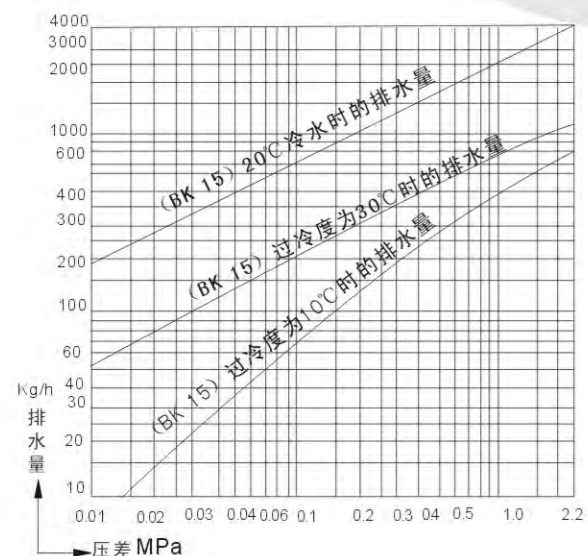
序号 No.	零件名称 Accessory name	材质 Material
1	阀体 Body	碳钢 Carbon steel
2	阀盖 Bonnet	碳钢 Carbon steel
4	阀芯 Disc	不锈钢 Stainless steel
5	阀座 Seat	不锈钢 Stainless steel
6	热敏元件 Heat-sensitive element	不锈钢双金属片 Stainless steel duplex metal

## 产品性能规范 Products Performance specification

型号 Type	公称压力 Nominal pressure	壳体试验压力(MPa) Shell test pressure	最高工作压力(MPa) Max. working pressure	最高工作温度(°C) Max. working temperature	最高允许温度(°C) Max. allowable temperature
WBK15	4.0	6.0	3.8	247	425
WBK27	6.4	9.6	5.6	280	450
WBK28	10.0	15	8.7	300	500

工作介质 Working medium: 蒸汽、凝结水 Steam, condensate

## 结构特点及排量曲线表 Design features & displacement curve



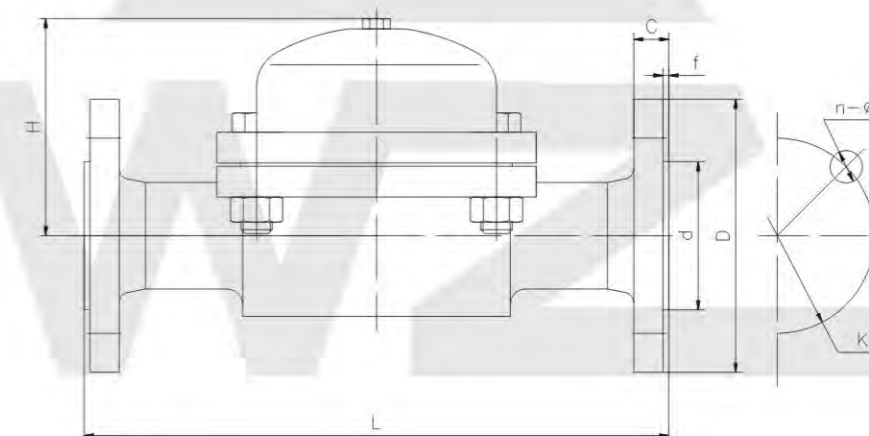
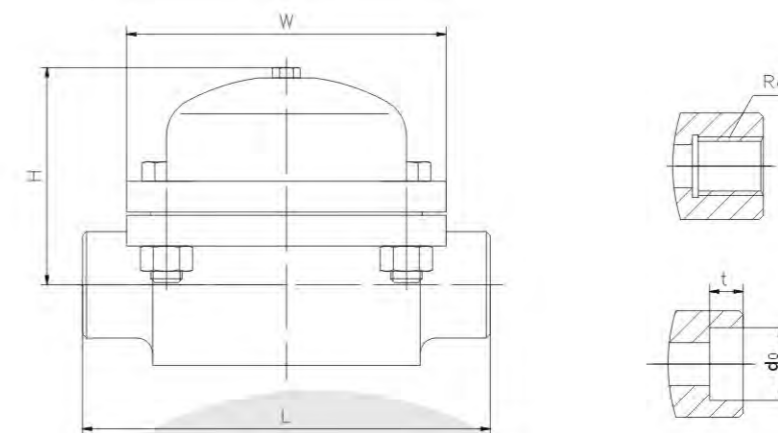
本产品是高参数热静力型蒸汽疏水阀。性能优良，动作可靠排水温度可调节，漏气量极小，具有良好的节能效果。

This products is high parameter thermostatic trap, It's Per-formance is excellent. The temperature of drainage can be regulated. The air leakage is very little, it has better energy-saing effect

# WBK系列双金属片式蒸汽疏水阀

WBK SERIES BIMETAL STEAM TRAP

WBK151, WBK154, WBK156



## 主要外形尺寸 Main Size of outside

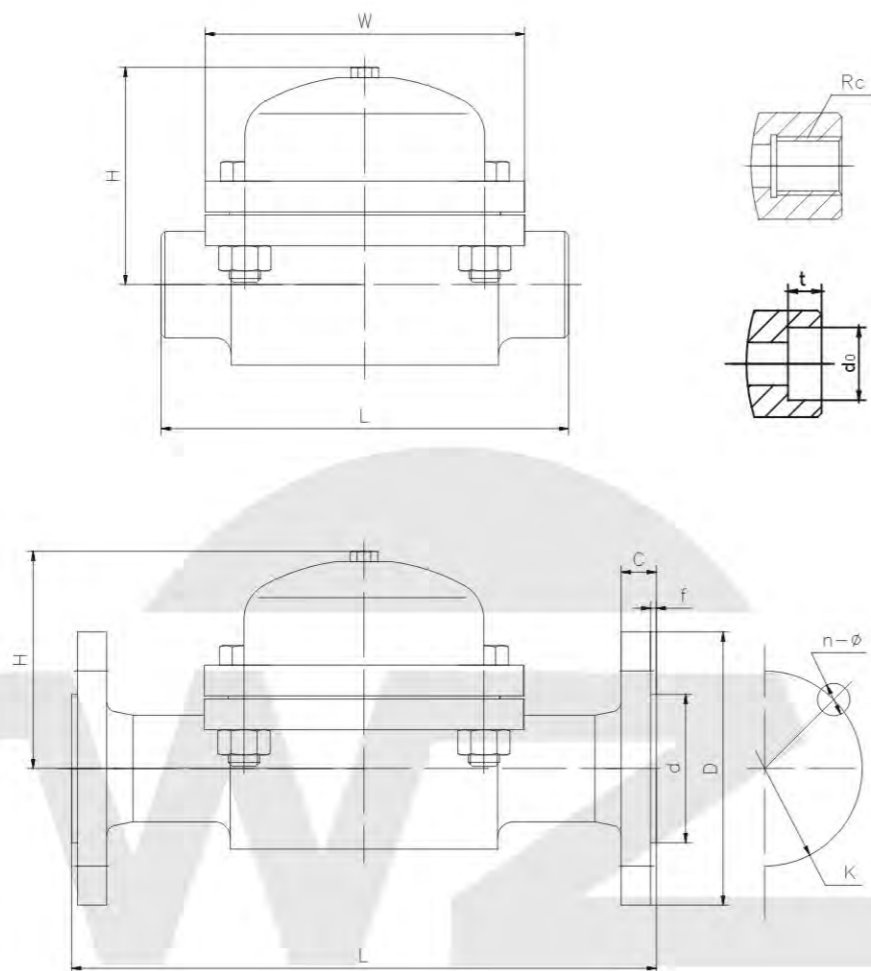
PN4.0MPa

型号 Type	WBK151螺纹连接 Threaded connection				BK154法兰连接 Flange connection								WBK156承插焊连接 Socket welding connection				
	Rc	L	H	W	L	H	D	K	d	c	f	n-φ	L	H	W	d0	t
15	1/2	95	92	82	150	92	95	65	46	14	2	4-14	95	92	82	22	9.5
20	3/4	95	92	82	150	92	105	75	58	16	2	4-14	95	92	82	27	12.5
25	1	95	92	82	160	92	115	85	65	16	3	4-14	95	92	82	34	7.5
32	1 1/4	230	140	115	200	140	140	100	76	18	3	4-18	230	140	115	42	13
40	1 1/2	270	140	115	200	140	150	110	84	18	3	4-18	270	140	115	48	13
50	2	300	140	115	230	140	165	125	99	20	3	4-18	300	140	115	61	16

# WBK系列双金属片式蒸汽疏水阀

WBK SERIES BIMETAL STEAM TRAP

WBK274, WBK276



## 主要外形尺寸 Main Size of outside

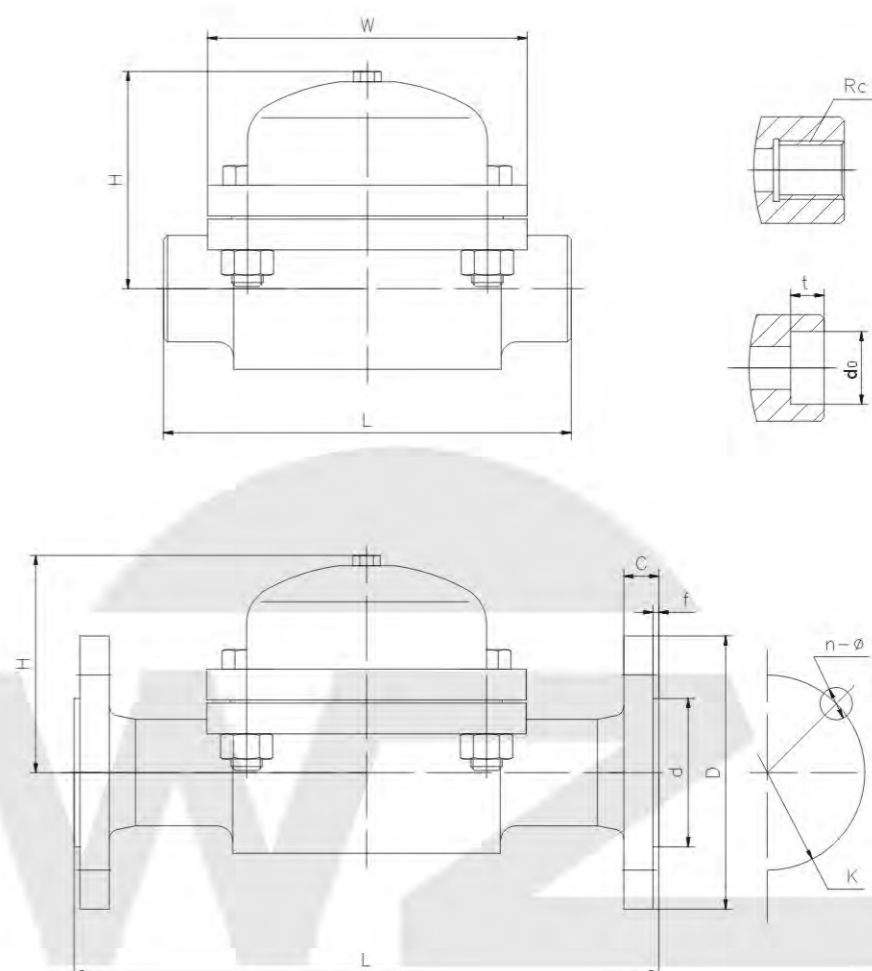
PN6.4MPa

型号 Type	WBK274法兰连接 Flange connection							
口径 Size	L	H	D	K	d	c	f	n-φ
15	210	157	105	75	48	18	2	4-14
20	210	169	130	90	58	20	2	4-18
25	230	174	140	100	68	22	2	4-18
型号 Type	WBK276承插焊连接 Socket welding connection							
口径 Size	L	H	W	d <sub>0</sub>	t			
15	150	130	108	22	12.5			
20	135	130	108	27	12.5			
25	250	130	108	34	12.5			

# WBK系列双金属片式蒸汽疏水阀

WBK SERIES BIMETAL STEAM TRAP

WBK284, WBK286



## 主要外形尺寸 Main Size of outside

PN10.0MPa

型号 Type	WBK284法兰连接 Flange connection							
口径 Size	L	H	D	K	d	c	f	n-φ
15	210	152	95	66	46	14	7	4-16
20	210	164	120	82	54	16	7	4-20
25	230	167	125	89	62	17	7	4-20
型号 Type	WBK286承插焊连接 Socket welding connection							
口径 Size	L	H	W	d <sub>0</sub>	t			
15	130	130	108	22	9.5			
20	130	130	108	28	12.5			
25	130	130	108	34	12.5			

### 用途 Purpose

本疏水调节阀是蒸汽供热设备及蒸汽管路上的重要配件，也是节能产品。它利用多级喷嘴的节流作用，通过降压使热凝结水转变为二次蒸汽，从而使凝结水得到二次利用。此外，该阀还可用于冷水排放、液面控制、最小流量控制等管线系统中。

Drainage regulating valve is the key fittings in the steam heat supply equipment and the steam line, as well as the energy conservation products. It fully employs the throttling function of the multistage nozzle to convert the heat condensate into secondary steam through step down transformation, so as to realize the recycle of condensate. Furthermore, the valve can be used in the pipelines of cool water discharging, liquid level control, and minimal flow control, etc.

### 工作原理及使用说明 Operating Principle & Operating Instruction

该阀开始运行时，首先应调整好该阀工作位置，运行后不需再次调整，以后的凝结水排量根据介质在喷嘴进口处的状态利用多级喷嘴的节流作用，由该阀自行调节，介质状态可以是冷水、热凝结水、蒸汽或凝结水与蒸汽的混合物。

当介质为冷水时，通过多级喷嘴的节流，排出的仍是冷水，且体积不变。

当介质为蒸汽时，通过多级喷嘴的节流，排出的仍是蒸汽，但由于该阀存在很大的压力降，蒸汽进入多级喷嘴后，经多次扩张，所以排出蒸汽的体积有明显膨胀。

当介质为凝结水时，凝结水在多级喷嘴内，经过多次连续扩张，又由于该阀存在的巨大压力降，从而使部分凝结水转变为二次蒸汽，该阀排出凝结水与蒸汽的混合物。转变为二次蒸汽的量取决于凝结水温度、阀门压力降以及阀瓣的开启高度。当阀瓣开启高度过大时，不会产生二次蒸汽。

该疏水调节阀应根据其在管路系统中的不同作用安装在管路适当位置。当管路系统是利用该阀使凝结水转变成二次蒸汽时，该阀前应安装有蒸汽疏水阀。

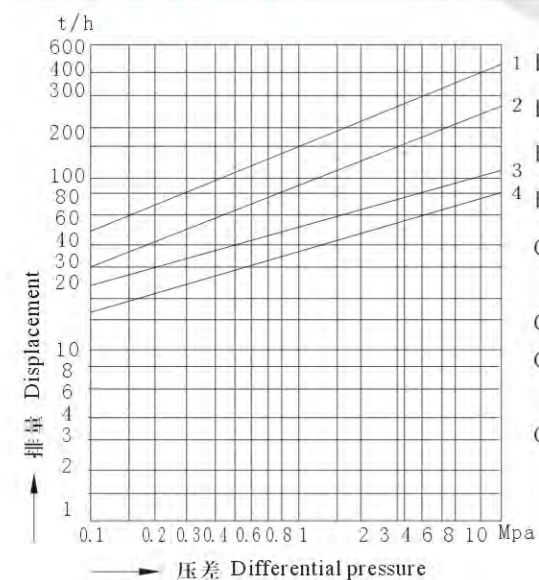
When valve works, firstly adjust its working position, which need not readjustment during work. And the valve will automatically adjust the condensate delivery capacity afterward according to the throttling function of multistage nozzle subject to the medium condition in the inlet of nozzles. The medium condition may be cool water, heat condensate, steam or the mixture of condensate and steam.

When the medium is cool water, the outflow remains the cool water with same volume after passing through multistage nozzle.

When the medium is steam, the outflow remains the steam with a little dilation in volume after passing through the multistage nozzle. That is because it is tremendous differential pressure after the steam came into the nozzle and causes many times dilations.

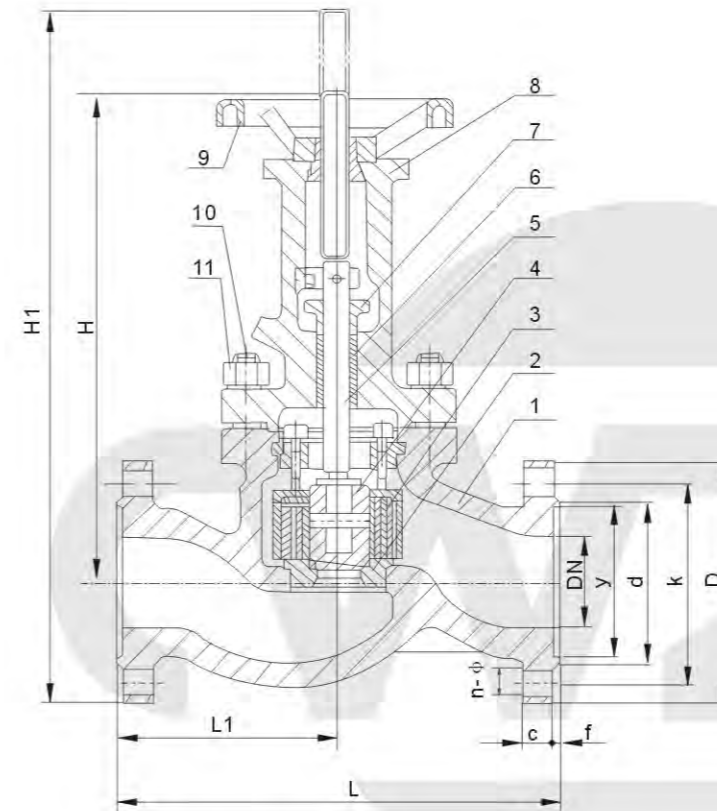
When the medium is condensate, after repetitious dilations in multistage nozzle, the outflow is condensate and steam mixture through parts condensate converted into secondary steam because of the tremendous differential pressure. The capacity to be converted into secondary steam is subjected to the condensate temperature, valve differential pressure, and the opening height of valve clack. It doesn't produce secondary steam if the valve clack is of too high opening height. The drainage-regulating valve must be installed in the correct location according to its different functions in pipeline system. When it is needed to convert the condensate into secondary steam, it is steam bleeder that must be installed before the valve.

### 排量曲线表 Displacement curve



### 技术规范 Technical specification

公称压力(MPa) Nominal pressure	16.0
壳体试验压力(MPa) Shell test pressure	24.0
最高工作压力(MPa) Highest working pressure	16.0
最大压差(MPa) Max. differential pressure	10.0
最高工作温度(℃) Max. working temperature	345
工作介质 Working medium	蒸汽、凝结水、 Steam, condensate



### 主要零件材质表 Form of Major Parts Materials

序号 No.	零件名称 Accessory name	材质 Material
1	阀体 Body	合金钢铸件 Alloy steel casting
2	阀座 Seat	耐热耐酸钢 Heat resistance acid-proof steel
3	多级喷嘴 Multistage nozzle	不锈钢 Stainless steel
4	阀瓣 Disc	耐热耐酸钢 Heat resistance acid-proof steel
5	阀杆 Stem	不锈钢 Stainless steel
6	填料 Packing	柔性石墨 Graphite
7	填料压盖 Gland	合金钢铸件 Alloy steel casting
8	支架 Yoke	合金钢铸件 Alloy steel casting
9	手轮 Hand wheel	球墨铸铁 Cast iron with graphite
10	螺栓 Stud	合金钢 Alloy steel
11	螺母 Nut	合金钢 Alloy steel

### 主要外形尺寸 Main size of outside

PN16.0MPa

口径 Size	D	K	d	y	f	C	n-φ	L	L1	H	H1
80	230/210	180/168	138	129	3/5	33/27	8-26/8-22	380	190	424	500/480
100	265/255	210/200	162	159	3/5	37/32	8-30/8-22	430	215	542	612
150	355/320	290/270	218	217	3/5	47/37	12-33/12-22	550	275	745	1025

注: 表中分母尺寸为西德样机尺寸

Notes: The denominator dimension in the chart is the West Germany sample dimension

# WGK系列疏水调节阀

WGK SERIES DRAINAGE REGULATING VALVE

WGK11

## 用途 Purpose

本疏水调节阀是蒸汽供热设备及蒸汽管路上的重要配件，为节能产品。它用于管线中调节流量，也可利用喷嘴的节流作用，通过降压使饱和凝结水转化为二次蒸汽，再回收利用二次蒸汽。它还可用于排放冷水、液面控制、最小流量控制等管线中，广泛地适用于石油、化工、氧化铝生产、建材、电力、造纸、纺织等部门的用汽设备管线中。

Drainage regulating valve is the key fitting in the steam heat supply equipment and steam line, as well as the energy conservation product. It is used to adjust the flow quantity in pipeline, and convert the saturated condensate into secondary steam to recycle it through step-down transformation by the agency of throttling of nozzle. Furthermore, the valve can be employed in the pipelines of cool water discharging, liquid level control, and minimal flow control, etc., As well as the pipelines for petroleum, chemical industry, alumina manufacture, construction materials, electric power, paper making and textile, and so on.

## 工作原理及使用说明 Operating Principle & Operating Instruction

该阀开始运行时，首先应调整好该阀工作状态，运行后不需再次调整，以后的凝结水排量根据介质在喷嘴进口处的状态，利用喷嘴的节流作用，由阀门自行调节，介质为冷水时，经过喷嘴节流排出的仍是冷水，且体积不变；介质为蒸汽时，经过喷嘴节流，由于存在压力，蒸汽膨胀，排出的蒸汽体积明显膨胀；介质为热凝结水时，通过降压凝结水达到饱和状态发生汽化，出口处将产生二次闪蒸，排出的为蒸汽和凝结水的混合物。如需改变工况，可通过手轮调整。

该阀用于流量调节时，可通过转动手轮调整到所需排量，依据排量曲线表选择适当的压差和排量。

该阀用于二次蒸汽转化时，阀瓣的开启高度应控制在排量为该阀最大的15%的高度内。

该阀在背压和真空状态下也能平稳运行，但阀门入、出口压差不能超过最大压差限制。

该阀在选用时，阀内流体流速不应超过3.3米/秒，否则应选用大一规格。

When valve works, firstly adjust its working position, which need not readjustment during work. And the valve will automatically adjust the condensate delivery capacity afterward according to the throttling function the inlet of nozzle. subject to the medium condition in the inlet of nozzle. When the medium is cool water, the outflow remains the cool water with same volume after passing through nozzle; when the medium is steam, the outflow remains the steam with visible dilation in volume after passing through the multistage nozzle because of differential pressure and steam dilation while passing through the nozzle; when the medium is heat condensate, the condensate reaches to its saturated state and vaporizing through step down the pressure, and the secondary steam will be produced in exit, then the mixture of steam and condensate is discharged. If it needs to change the operating condition, adjust the hand wheel.

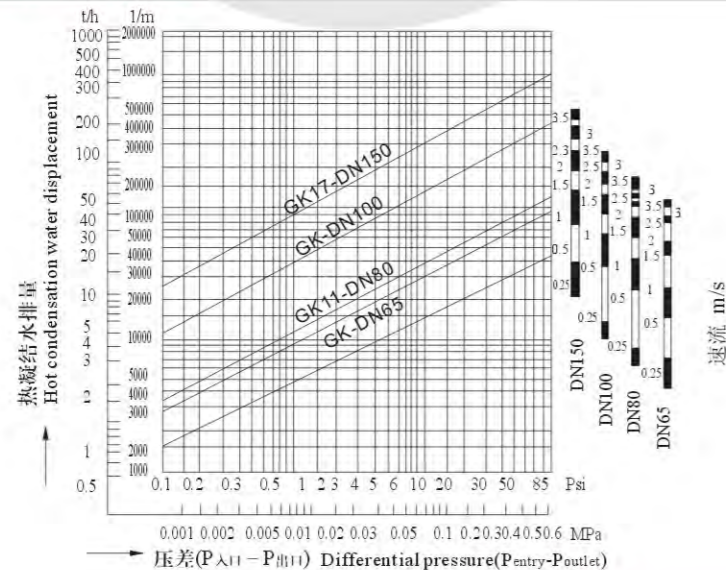
If the valve is used in flow quantity control, please obtain the delivery capacity needed through tum the hand wheel. And choose suitable pressure difference and delivery capacity referring to the Curve Table of Delivery Capacity.

If the valve is used in secondary steam conversion, the opening height of valve clack should be controlled when it capacity is within 15% of the maximal delivery capacity at most.

The valve can steady run in back pressure and vacuum conditions, but the respectively pressure differences in inlet and exit of valve shouldn't exceeding the maximal pressure difference.

The flow rate in valve shouldn't more than 3.3m/s; otherwise, the larger specification valve is needed for use.

## 排量曲线表 Displacement curve



# WGK系列疏水调节阀

WGK SERIES DRAINAGE REGULATING VALVE

WGK11

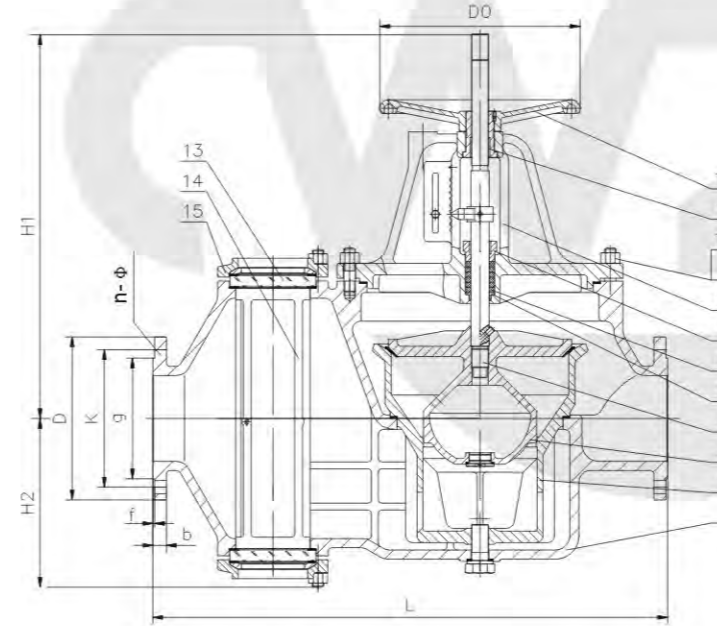
## 技术规范 Technical specification

公称压力(MPa) Nominal pressure	PN	1.6
壳体试验压力(MPa) Shell test pressure		2.4
最高工作压力(MPa) Highest working pressure	PMO	1.6
最大工作压力(MPa) Max. working pressure	△PMX	0.5
最高蒸汽压力(MPa) Highest steam pressure		0.5
最高工作温度(°C) Max. working temperature	TMO	250°C
最高允许温度(°C) Max. allowable temperature	TMA	250°C
工作介质 Working medium	蒸汽、凝结水、 Steam, condensate	



## 主要零件材质表 Form of Major Parts Materials

序号 No.	零件名称 Accessory name	材质 Material
1	阀体 Body	WCB
2	阀座 Seat	WCB
3	阀瓣 Disc	WCB
4	阀杆 Stem	1Cr13
5	填料垫 Packing seat	2Cr13
6	填料 Packing	柔性石墨 Graphite
7	填料压盖 Stuffing gland	WCB
8	阀盖 Bonnet	WCB
9	螺柱 Stud	35CrMoA
10	螺母 Nut	35
11	阀杆螺母 Yoke nut	QA19-4
12	手轮 Hand wheel	QT400-17
13	窥视玻璃 Inspection glass	无碱铝硅酸盐玻璃 Non alkali aluminosilicate glass
14	窥视器 Peep-sight instrument	
15	阀盖 Bonnet	WCB



## 主要外形尺寸 Main size of outside

PN1.6MPa

口径 Size	L	H1	H2	D0	D	k	g	b	f	n-Φ
80	420	300	155	200	191	152.5	127	26	3	4-22
100	620	440	220	320	229	190.5	157	26	3	8-22
150	900	630	285	350	285	241.5	216	26	3	8-22