



◇国家高新技术企业◇国家阀门标准编制单位



◇国家高新技术企业◇国家阀门标准编制单位

浙江五洲阀门有限公司
ZHEJIANG WUZHOU VALVE CO., LTD.

地址: 温州市永强高新技术产业园区
Add: Yongqiang High-new Tech. Industry district,
Wenzhou, Zhejiang, China
销售部(Sales department): 0577-86916820
总机(Telephone exchange): 0577-86915555
传真(Fax): 0577-86933224
邮编(Postcodes): 325024
Http://www.wuzhou-valve.com
E-mail:wz@wuzhou-valve.com



Power station valve series 电站阀系列

High-New Technology Enterprise of China,
National valve standard authorized unit

浙江五洲阀门有限公司
ZHEJIANG WUZHOU VALVE CO., LTD.

2006



浙江五洲阀门有限公司 总部办公大楼
ZHEJIANG WUZHOU VALVE CO., LTD. Headquarters

公司创建于1978年，是科技型阀门专业制造工厂。目前占地面积36000m²，其中建筑面积25200m²，公司员工256人，高中级技术人员46人，具有CAD、CAM开发设计制造和ERP企业资源计划管理系统。公司固定资产9800万元，拥有加工中心、数控机床及金切加工设备116台，理化、无损检测、光谱分析阀门综合性能测试设备45台（套），起重、运输设备22台。公司是国家高新技术企业，重点国家级火炬计划项目，浙江省著名商标、浙江省名牌产品，省特种阀门研发中心，中国阀门协副理事长单位，阀门国家标准编制单位，省重大高新技术产业项目单位，科技先进企业。公司已取得DNV（挪威船级社）ISO9001（2000版本）国际质量体系认证证书和美国石油学会API-6D、API 607、API 6FA证书，并取得TÜV德国莱茵公司CE认证和国家质量技术监督局压力元件制造单位AZ安全注册。公司是中国石化集团物资装备公司、中国石油天然气集团公司、中国铝业集团公司和化工部化工装备总公司、中国海洋石油公司定点供应成员单位。硬密封高温系列球阀、高

压矿砂料浆阀等获得多项国家专利，并被国家科技部列为国家重点火炬计划项目和国家级新产品以及国际尤里卡金奖，三偏心蝶阀获专利新产品奖。闸阀、截止阀等均经国家技术监督局全国统检评为一等品。

公司为石油、化工、冶金、轻工、煤化工、电站、城建供水及输油、输气、天然气、长输管线等工程，提供高温、高压、高耐磨以及大口径的球阀、平板闸阀、蝶阀、闸阀、截止阀、止回阀、矿砂料浆阀、电站阀以及引进装置配套的非标和特殊阀门十大类、1200余个品种规格。生产通径为DN15~3000mm（1/2"~120"），公称压力1.6MPa~42.0MPa（Class150~2500），工作温度为-196℃~750℃，阀门的材质有碳钢、不锈钢、耐热合金钢、蒙耐尔合金、低温钢以及其他特殊钢种，驱动方式有手动、电动、气动、齿轮传动、蜗轮蜗杆传动、气液联动、电液联动、计算机程控等。产品畅销全国各地，并出口美国、欧洲、非洲、中东、新加坡等地。公司坚持贯彻质量第一、用户至上、诚信为本的经营方针，以可用性、可信性、可靠性的三性为目标，创建“五洲”一流名牌，以优秀的质量、优惠的价格、优良的售后服务为国家经济建设服务。

The company was established in 1978, which is a technological professional valve manufacturer. Presently it covers 36,000sqm including building space of 25,200sqm, and owns 256 employees involving 46 senior & intermediate technicians. Also it developed CAD & CAM designing and ERP Planned Administration System of Enterprise's Resource. In addition, the company is in possession of fixed assets of RMB 78,000,000 Yuan (about USD 9,500,000) with 116 sets of equipments such as processing center, numerical machine tools and metal-machining facility, 45 sets of valve comprehensive performance test equipments consisting of physico-chemical inspection and NDE facility and 22 sets of crane and transportation equipment. It is a council unit of China Valve Association, Zhejiang Provincial High & new-tech Enterprise, Key High & new-tech Industrialized Unit of Zhejiang Province and Technology Advanced Enterprise. The company has acquired ISO 9001 certificate (the current version is ISO 2000) from DNV (Det Norske Veritas), API-6D certificate issued by American Petroleum Institute and CE certificate issued by TÜV. Moreover, it is the pointing supply member unit of China Petrochemical Group Material Equipment Co., China Petroleum & Natural Gas Group Co., and Shanghai Baoshan Iron & steel plant. The hard-sealed high temp. serial ball valves won the international invention Urika Gold Prize, national patent and was authorized as Grade I advanced products and National key project products by National Science & technology Ministry, the variable eccentric butterfly valve won the Gold prize of patent new products and the gate & globe valves have been approved as Grade-I

products by National Technology Surveillance Bureau.

The company provides high & medium pressure ball valves, butterfly valves, parallel gate valves, gate valves, globe valves, check valves and power station valves for petroleum, chemical engineering, metallurgy, light industry, power station, city building, water supply system, oil transportation, gas feeding, natural gas and long distance transportation pipes projects. In addition, the company supplies over 1000 sorts (8 main catena) of non-standard and special valves some of whose parts are imported from other countries. The products diameter range is DN15~3000mm (1/2"~120"), the nominal pressure range is 1.6 Mpa~42.0 Mpa (Class 150~2500), and the operating temp. range is -196℃~750℃. The valve material contains carbon steel, brass, stainless steel, heat-resist alloy steel, Monel, low-temp steel and other special steels. The driving device includes lever operator, electric driving, pneumatic driving, gear transmission, worm wheel and worm handle transmission, air-liquid driving, electric-liquid driving and computer program controlled device etc.. Our products are very popular in the whole nation and exported to America, Europe, Africa, Mid-east area and Singapore etc. The company holds "Quality first, Customer utmost and honesty base" as its management policy while it sets "Usability, creditability and reliability" as its target. Wuzhou Co. will welcome customers from domestic & abroad with first-rate brand, favorable prices and excellent after-sale service.

WUZHOU VALVE

◇国家高新技术企业◇国家阀门标准编制单位
High-New Technology Enterprise of China, National valve standard authorized unit

WUZHOU VALVE



公司属国家高新技术企业，重点国家级火炬计划项目，浙江省名牌产品，省特种阀门研发中心，中国阀协理事单位，国家阀门标准编制单位，省重大高新技术产业项目单位，科技先进企业。公司已取得DNV（挪威船级社）ISO9001（2000版本）国际质量体系认证证书和美国石油学会API-6D证书，并取得TU V德国莱茵公司CE认证和国家质量技术监督局压力管理元件制造单位AZ安全注册。

The company is belonged to state high-new technique enterprise, stress national torch plan item, Zhejiang famous brand products, Vice Director Unit of China Valve Association and developing center; Province significant high-new technique industrialization item unit; advanced science and technology enterprise. The company has gained ISO9001:2000 international quality system authentication of DNV authenticate and API-6D of American Petrol Institute, CE authentication and pressure pipe component manufacturing AZ safety registration by state quality technique supervision bureau.

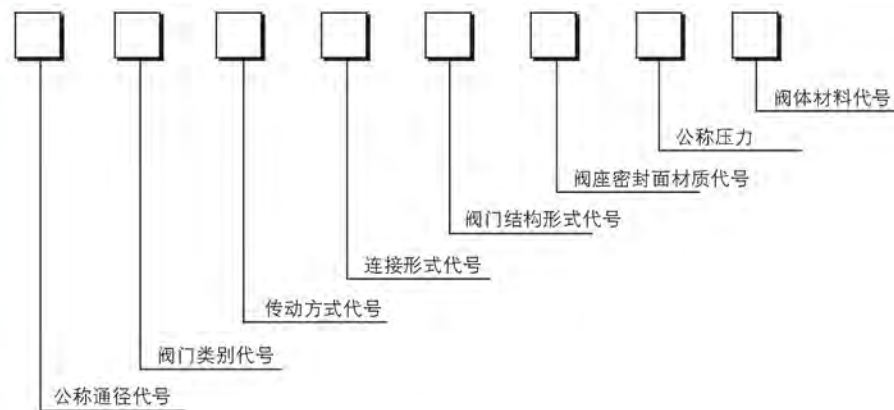
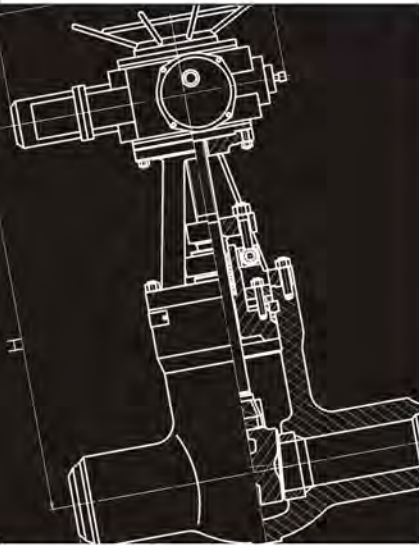
国家高新技术企业
High-New Technology Enterprise of China
国家阀门标准编制单位
National valve standard authorized unit



目录 CONTENTS

电站阀门型号编制说明 Power Station Valve Model Schedule illustration	01
电站阀结构特点 Structure Feature for Power Station Valve	03
电站阀规格及性能规范 Parameter and Performance Specification for Power Station Valve	04
电站闸阀 Power Station Gate Valve	05
电站截止阀 Power Station Globe Valve	09
电站Y形截止阀 Power Station Y-type Globe Valve	12
电站止回阀 Power Station Swing Check Valve	14
对接焊端 Butt-welding Ends	15

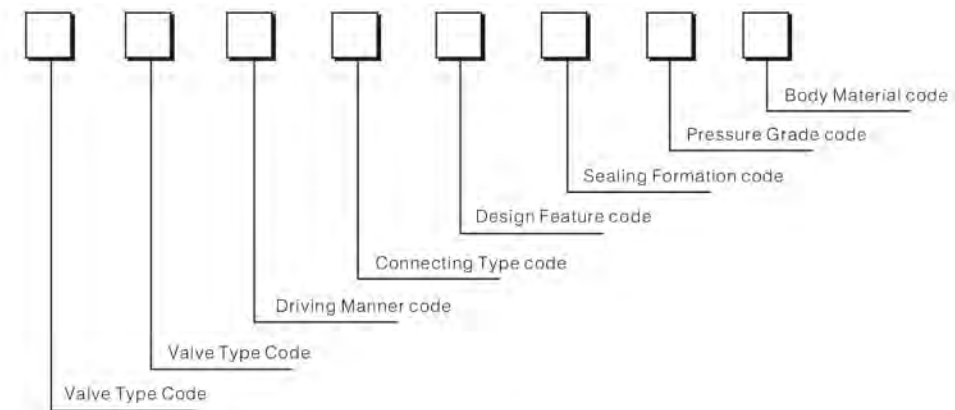
电站阀门型号编制说明 POWER STATION VALVE MODEL SCHEDULE ILLUSTRATION



★ 特征代号:	本公司的特征代号为W		
★ 阀门类别代号:	Z-闸阀	J-截止阀	H-止回阀
★ 结构特点代号:	闸阀: 截止阀: 止回阀:	O-弹性闸板 1-直通式 1-升降直通式	2-双闸板 4-角式样 4-旋启单瓣式
★ 传动方式代号:	5-伞齿轮传动	9-电动 (省略) (手动略)	
★ 连接形式代号:	6-对焊连接	8-承插焊	
★ 阀门结构形式代号:	6-BB-BG-OS&Y (螺栓连接阀盖、螺栓连接压盖、明杆支架式) 8-PS-BG-OS&Y (压力密封阀盖、螺栓连接压盖、明杆支架式)		
★ 阀座密封面材质代号:	Y-硬质合金	H-合金钢	D-渗碳钢
★ 压力等级代号:	公称压力MPa的10倍、磅级为实际数		
★ 阀门材料代号:	C-WCB V-WC9、ZG20CrMoV R-CF8M、ZG1Cr18Ni12Mo2Ti	I-WCB、ZG1Cr5Mo P-CF8、ZG1Cr18Mi9Ti	

例: Z960Y-2500Lb
表示公称压力为2500Lb、电动、对焊连接、弹性闸板高温高压电站闸阀, 阀体材质为WCB, 密封面为硬质合金

电站阀门型号编制说明 POWER STATION VALVE MODEL SCHEDULE ILLUSTRATION



★ Feature Code:	The feature code of our company is W		
★ Valve Type Code:	Z-Gate valve	J-Globe valve	H-Check valve
★ Design Feature Code:	Gate: Globe valve: Check valve:	O-elastic wedge 1-through-type 1-lift through-type	2-Double wedge 4-angle-type 4-single swing-type
★ Driving Manner Code:	5-bevel gear transmission	9-electric driving(hand wheel driving omitted)	
★ Connecting Type code:	6-but welding connecting	8-socket welded connecting	
★ Structure Formation code:	6-BB-BG-QS&Y (Bolted bonnet, Bolted gland, OS&Y) 8-PS-BG-QS&Y (Pressure bonnet, Bolted gland, OS&Y)		
★ Sealing Material Code:	Y-hard Alloy	H-alloy steel	D-nitriding steel
★ Pressure Grade Code:	nominal rating pressure - 10Mpa, Pound grade is actual number		
★ Valve Material Code:	C-WCB V-WC9、ZG20CrMoV R-CF8M、ZG1Cr18Ni12Mo2Ti	I-WCB、ZG1Cr5Mo P-CF8、ZG1Cr18Mi9Ti	

Example: Z960Y-2500Lb
Denoting Class2500 pressure grade, electric driving, Butt-welding connecting, elastic wedge high temperature high pressure power station valve WC6 Valve body material and the hard alloy sealing material.

电站阀 POWER STATION VALVE

产品结构特点

1. 操作传动方式有：手动、电动、正、伞齿轮传动、气动等，订货时应该注明传动方式。
2. 焊接连接的闸阀、截止阀适用于公称压力PN1.6~32.0MPa，及P54/100V~P57/170V，工作温度≤540℃（其中P54/170V工作温度570℃）的石油、化工、火力、水力各种系统的管路上，切断和接通管路介质。适用介质为：水、蒸汽、油品、酸性介质等。
3. 符合国内外先进标准的要求，阀门中腔采用压力自紧式密封结构，支管两端采用焊接结构，焊接坡口可按标准或用户要求配接，密封可靠，性能良好、造型美观。
4. 阀瓣、阀座密封面根据不同的要求采用铁基合金堆焊或司太立（Stellite）钴基硬质合金堆焊而成耐磨、耐高温、耐腐蚀、抗摩擦性能好，使用寿命长。
5. 阀杆经调质及表面氮化处理，有良好抗摩擦性和抗腐蚀性，具有倒密封结构，保证阀门在运行时开启不经阀杆外漏，同时可更换阀杆填料。
6. 中大口径可采用旁通结构并设置滚动轴承与推力轴承，开关灵活，启闭轻松。
7. 电动截止阀配有SMC阀门电动装置，具有壳体小，重量轻，功能全，外形美等特点，并可与程控电脑配套使用，也可按用户要求选配电动装置。

Products design features

1. Actuation modes: manual, electric, spur and bevel gear, pneumatic actuations, please make it clear at order.
2. Weld-connected gate valve and stop valve are suitable for the pipeline of PN1.6~32.0MPa, P54/170V~P57/170V, a working temperature 540℃ (570℃ for P57/170V) in various systems of petroleum, chemical industry, steam power, hydraulic etc. to cut off and get through the medium. The suitable media are: water, steam, oil goods, acid media and so on.
3. Comforms with the requirements of the domestic and foreign advanced standards. The middle cavity if the valve uses the pressure self-tightening sealing structure, the two ends of the branch pipe use welded structure and the welded groove can be connected per either the standard or the required one by users. Of a reliable seal, good performance and nice modeling.
4. The sealing faces of both dis and seat ring are made by means of built-up welding with either iron-based alloy or Stellite Co-based carbide alloy upon different requirements, wearable, high temperature resisting, good friction resisting and long duration.
5. The stem, after the modified and surface nitriding treatment, has a good friction and corrosion resistance and a back-seal structure to ensure the valve no leak outward from the stem when opened during running and able to replace the stem packing.
6. The valves with a large or a middle apertures can use the internal by-pass structure and be set with a rolling bearing and a thrust bearing, resulting in flexible open-close.
7. The electric stop valve is fitted with SMC valve electric actuator, features a small casing, light weight, full functions and a nice outlook and can be used either with a program controlled or an electric actuator upon the user requirement.

电站阀 POWER STATION VALVE

产品规格 Main parameter of the products

基本型号 Serial models	闸阀 Gate valve	Z60Y、Z560Y、Z960Y			
	截止阀 Globe valve	J61Y、J561Y、J961Y、J65Y、J5650Y、J965Y			
	止回阀 Check valve	H64Y			
压力等级范围 Pressure grader range	Class1500~3500				
口径范围 Drift diameter range	2 1/2"~22"				
闸阀 Gate valve	手轮驱动 Hand wheel driving	Class 1500 2 1/2"~8"	Class 2000~2500 2 1/2"~6"	Class 3500 3"~4"	
	伞齿动 Bevel gear	Class 1500 8"~22"	Class 2000~2500 6"~16"	Class 3500 5"~12"	
	电动 Electric driving	Class 1500 2 1/2"~22"	Class 2000~2500 2 1/2"~16"	Class 3000 10"~22"	Class 3500 3"~18"
截止阀 Globe valve	手轮驱动 Hand wheel driving	Class 1500 2 1/2"~6"	Class 2000~2500 2"~4"	Class 3500 2 1/2"~32"	
	伞齿动 Bevel gear	Class 1500 5"~8"	Class 2000~2500 4"~12"	Class 3500 3"~6"	
	电动 Electric driving	Class 1500 3"~8"	Class 2000~2500 2 1/2"~6"	Class 3500 2 1/2"~6"	
Y型 截止阀 Y type globe valve	手轮驱动 Hand wheel driving	Class 1500 2 1/2"~6"	Class 2000 2"~4"	Class 2500 2"~4"	Class 3500 2"~4"
	伞齿动 Bevel gear	Class 1500 5"~8"	Class 2000 4"~12"	Class 2500 3"~14"	Class 3500 2 1/2"~22"
	电动 Electric driving	Class 1500 3"~8"	Class 2000 4"~12"	Class 1500~3500 2"~14"	Class 3500 3"~6"
止回阀 Check valve	-	Class 1500~2000 2 1/2"~14"	Class 2500 3"~8"		

产品性能规范 Products performance specification

压力等级 Class	壳体试验压力(MPa) Intensity test pressure	密封试验(MPa) Sealing test	上密封试验(MPa) Back seal test pressure	气密封试验(MPa) Gas test pressure	温度 Temperature	适用介质 Medium
150	1.5 × PN	1.1 × PN	1.1 × PN	0.4~0.7	≤600℃	水、油、气 Water, oil & gas
300	1.5 × PN	1.1 × PN	1.1 × PN	0.4~0.7	≤600℃	水、油、气 Water, oil & gas
600	1.5 × PN	1.1 × PN	1.1 × PN	0.4~0.7	≤600℃	水、油、气 Water, oil & gas
900	1.5 × PN	1.1 × PN	1.1 × PN	0.4~0.7	≤600℃	水、油、气 Water, oil & gas
1500	1.5 × PN	1.1 × PN	1.1 × PN	0.4~0.7	≤600℃	水、油、气 Water, oil & gas
2500	1.5 × PN	1.1 × PN	1.1 × PN	0.4~0.7	≤600℃	水、油、气 Water, oil & gas

注：PN为主体材料在38℃时允许的额定工作压力
Note: PN is requested pressure for the body material under the 38℃.



电站闸阀 POWER STATION GATE VALVE

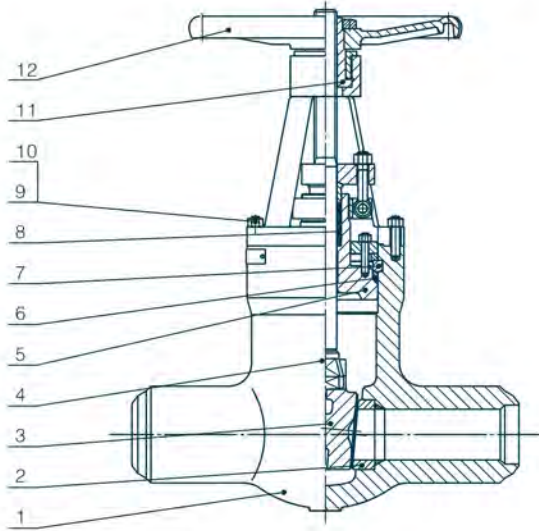
技术规范 Technical specification

结构形式 Structural Formation	PS-BG-OS&Y
驱动方式 Driving Manner	手动、齿动、电动 Hand-operated、Geared Driving、Electric Driving Device
设计标准 Design Standard	JB/T 3593
结构长度 Face to Face	JB/T 2788、GB/T 12221
焊接端口 Butt-welding Ends	JB/T 3593 ASME 16.25
试验和检验 Test & Inspection	JB/T 3593

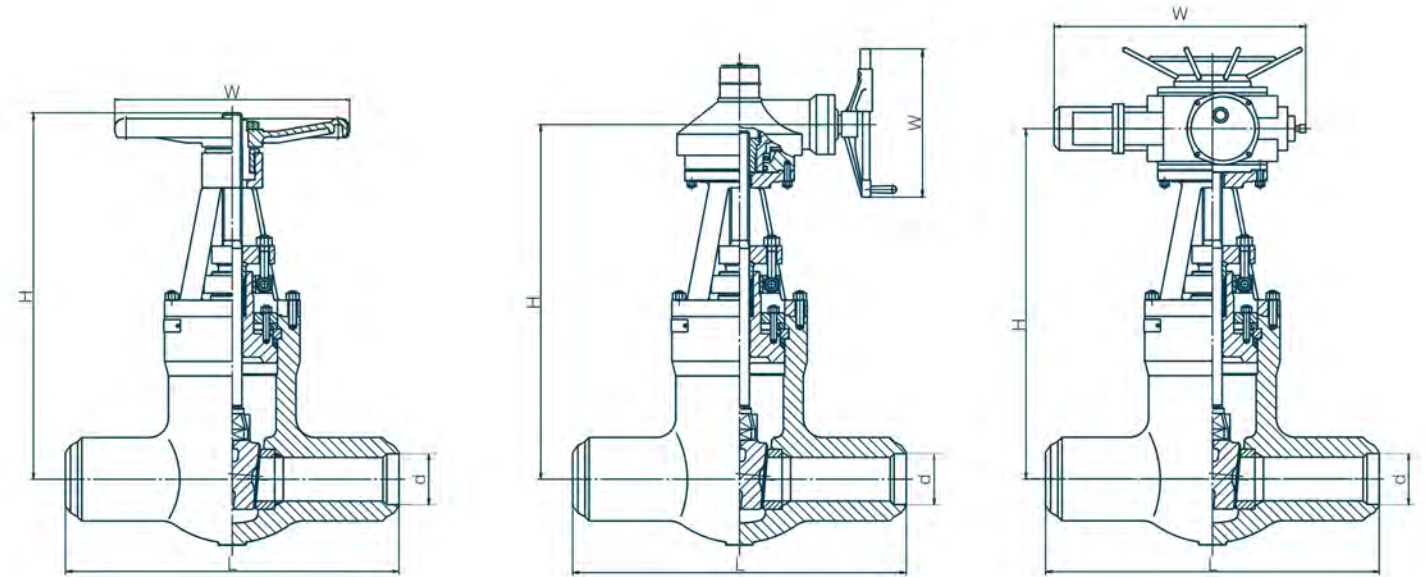
注：系列阀门连接法兰尺寸可根据用户要求设计制造。
Notes: The sizes of serial valve connecting flange can be designed according to customers' requirement.

主要零件材质 Form of major parts materials

序号 No.	零件名称 Part name	材质 Material
1	阀体 Body	WCB、WC1、WC6、WC9、C12
2	阀座 Seat	A105、A182-F11、F22、F5、F9
3	闸板 Disc	WCB、WC1、WC6、WC9、C12
4	阀杆 Stem	A182Gr.F6a、A182-F22、A182-F11
5	阀盖 Bonnet	WCB、WC1、WC6、WC9、C12
6	密封圈 Sealing ring	柔性石墨 Flexible Graphite
7	四开环 Quarto ring	A182Gr.F6a、A182-F22
8	填料 Packing	柔性石墨 Flexible Graphite
9	双头螺柱 Stud	A193-B7、A182 F22
10	螺母 Nut	A194-269、A182 F22
11	阀杆螺母 Stem nut	铜合金 Copper alloy
12	手轮 Hand wheel	A47-32510



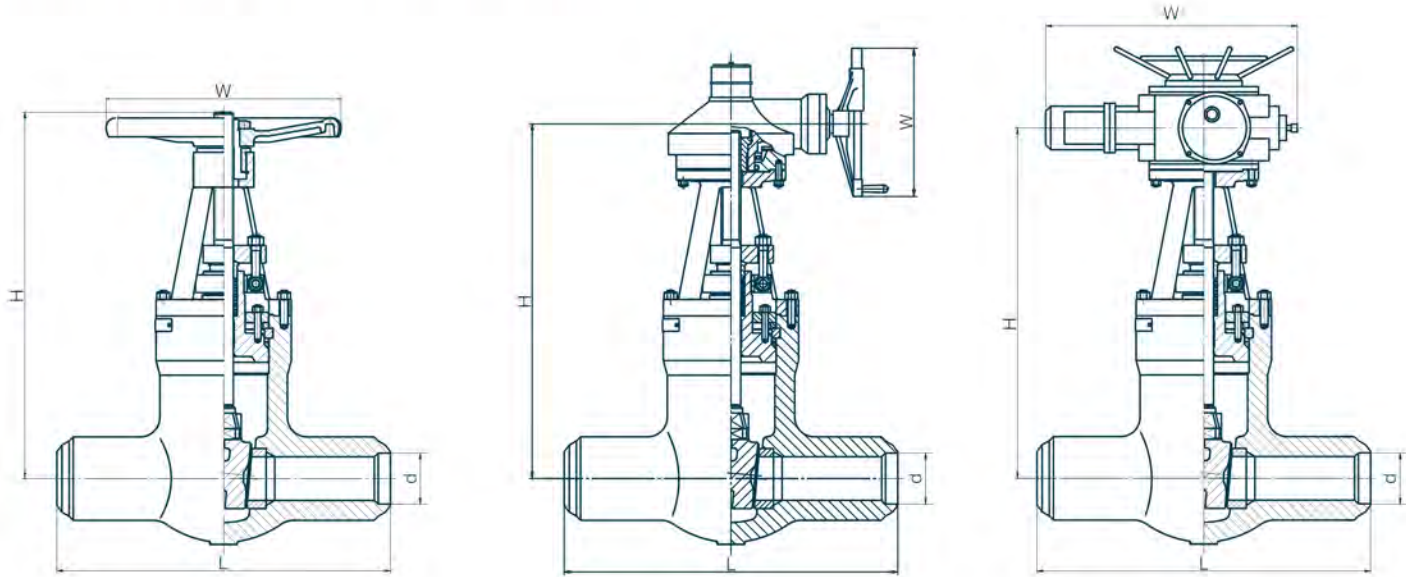
电站闸阀 POWER STATION GATE VALVE



主要外形尺寸及重量 Main size of outside and weight Z60Y-1500Lb、Z560Y-1500Lb、Z960Y-1500Lb

NPS (in)	L	d	手动 Hand-Operated			齿动 Gear Driving			齿动装置 Gear Driving	电动 Electric Driving Device			电动装置 Electric Motor Driving
			H	W	重量(kg) Weight	H	W	重量(kg) Weight		H	W	重量(kg) Weight	
2 1/2	254	56	670	200	50	-	-	-	-	887	200	93	SMC-04
3	305	64	692	200	65	-	-	-	-	887	200	110	SMC-04
4	406	84	790	230	105	-	-	-	-	969	508	168	SMC-03
5	483	100	875	260	150	-	-	-	-	1073	508	223	SMC-03
6	559	126	1155	400	300	-	-	-	-	1270	305	395	SMC-0
8	711	158	1148	410	500	1261	460	418	BA-1	1325	305	555	SMC-0
10	864	210	-	-	-	1490	460	725	BA-1	1530	457	823	SMC-1
12	991	250	-	-	-	1765	610	1036	BA-2	1804	305	1280	SMC-1
14	1067	282	-	-	-	1952	760	1358	BA-3	2155	570	1725	SMC-2
16	1194	318	-	-	-	2051	760	1773	BA-3	2167	610	2429	SMC-3
18	1364	360	-	-	-	2155	760	2359	BA-3	2250	610	2454	SMC-3
20	1473	406	-	-	-	2451	760	3243	BA-3	2550	610	3334	SMC-3
22	1600	450	-	-	-	2679	760	4010	BA-3	2780	610	4409	SMC-3

电站闸阀 POWER STATION GATE VALVE



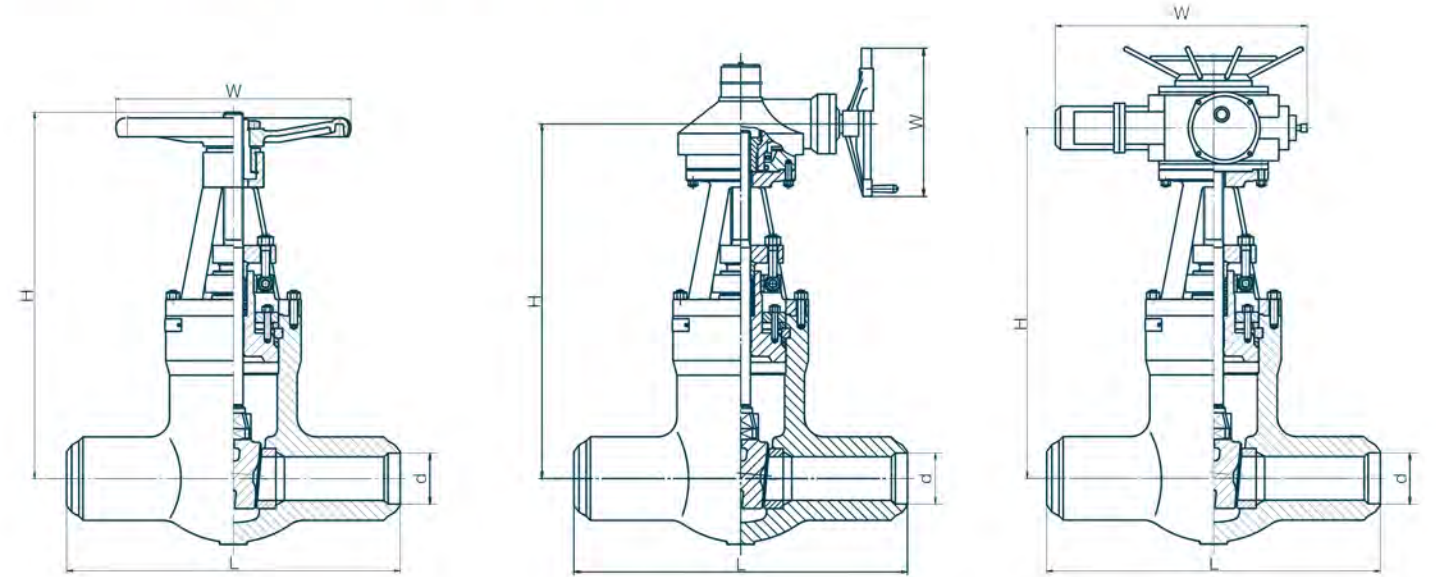
主要外形尺寸及重量 Main size of outside and weight Z60Y-2000Lb、Z560Y-2000Lb、Z960Y-2000Lb

NPS (in)	L	d	手动 Hand-Operated			齿动 Gear Driving			齿动装置 Gear Driving	电动 Electric Driving Device			电动装置 Electric Motor Driving
			H	W	重量(kg) Weight	H	W	重量(kg) Weight		H	W	重量(kg) Weight	
2 1/2	330	50	640	200	70	-	-	-	-	802	200	202	SMC-04
3	368	60	690	230	90	-	-	-	-	852	508	149	SMC-03
4	457	80	850	260	180	-	-	-	-	974	305	245	SMC-00
5	533	96	1117	360	210	-	-	-	-	1120	305	280	SMC-00
6	610	118	1300	410	438	-	-	-	-	1219	305	419	SMC-0
8	762	148	-	-	-	1210	310	602	BA-0	1349	305	626	SMC-0
10	914	180	-	-	-	1620	460	836	BA-1	1690	305	1020	SMC-1
12	1041	222	-	-	-	1710	610	1187	BA-2	1830	457	1320	SMC-2
14	1118	254	-	-	-	1763	610	1475	BA-2	1880	457	1810	SMC-2
16	1245	294	-	-	-	1925	610	1990	BA-2	2115	610	2270	SMC-3

主要外形尺寸及重量 Main size of outside and weight Z60Y-2500Lb、Z560Y-2500Lb、Z960Y-2500Lb

NPS (in)	L	d	手动 Hand-Operated			齿动 Gear Driving			齿动装置 Gear Driving	电动 Electric Driving Device			电动装置 Electric Motor Driving
			H	W	重量(kg) Weight	H	W	重量(kg) Weight		H	W	重量(kg) Weight	
2 1/2	330	46	640	200	70	-	-	-	-	842	508	143	SMC-03
3	368	54	690	230	90	-	-	-	-	836	508	160	SMC-03
4	457	70	850	260	150	-	-	-	-	1094	508	335	SMC-03
5	533	86	1117	400	210	-	-	-	-	1170	305	324	SMC-00
6	610	104	1300	500	438	1116	310	340	BA-0	1266	305	467	SMC-00
8	762	130	-	-	-	1284	310	617	BA-0	1339	305	725	SMC-0
10	914	162	-	-	-	1504	460	1023	BA-1	1468	305	1152	SMC-1
12	1041	210	-	-	-	1725	610	1415	BA-2	1890	457	1520	SMC-2
14	1118	234	-	-	-	1793	610	1684	BA-2	1990	610	1869	SMC-3
16	1245	264	-	-	-	1935	610	2383	BA-2	2115	610	2826	SMC-3
22	1550	375	-	-	-	-	-	-	-	2886	760	7080	SMC-5

电站闸阀 POWER STATION GATE VALVE



主要外形尺寸及重量 Main size of outside and weight Z960Y-3000Lb

NPS (in)	L	d	电动 Electric Driving Device			电动装置 Electric Motor driving
			H	W	重量(kg) Weight	
10	930	151	1812	305	1459	SMC-1
12	1060	186	1831	457	2180	SMC-2
14	1118	214	2130	610	2870	SMC-3
22	1550	338	2656	610	5591	SMC-4

主要外形尺寸及重量 Main size of outside and weight Z60Y-3500Lb、Z560Y-3500Lb、Z960Y-3500Lb

NPS (in)	L	d	手动 Hand-operated			齿动 Gear Driving			齿动装置 Gear Driving	电动 Electric Driving Device			电动装置 Electric Motor Driving
			H	W	重量(kg) Weight	H	W	重量(kg) Weight		H	W	重量(kg) Weight	
3	440	44	760	260	210	-	-	-	-	920	508	269	SMC-03
4	540	56	900	300	300	-	-	-	-	1066	305	398	SMC-00
5	616	74	-	-	-	1047	310	391	BA-0	1166	305	507	SMC-0
6	692	88	-	-	-	1108	310	493	BA-0	1227	305	605	SMC-0
8	846	116	-	-	-	1322	460	916	BA-1	1456	305	1088	SMC-1
10	1000	142	-	-	-	1548	610	1527	BA-2	1652	457	1733	SMC-2
12	1124	174	-	-	-	1689	610	2197	BA-2	1844	610	2708	SMC-3
14	1219	196	-	-	-	-	-	-	-	2125	610	3180	SMC-4
18	1499	252	-	-	-	-	-	-	-	2695	610	4560	SMC-4

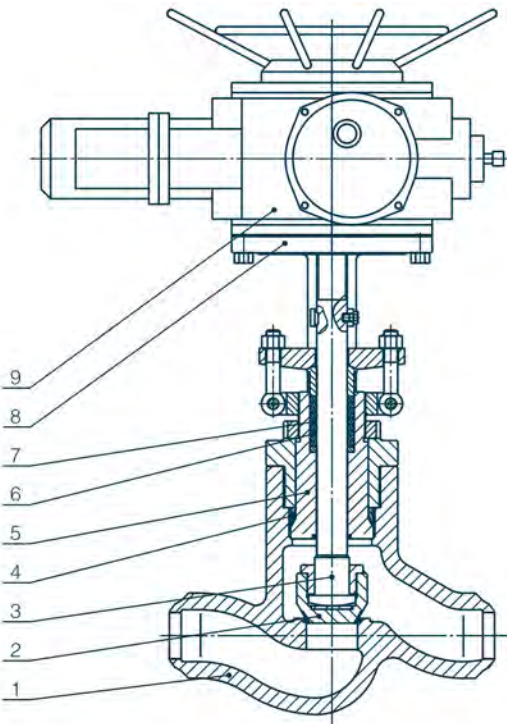


电站截止阀 POWER STATION GLOBE VALVE

技术规范 Technical specification

结构形式 Structural formation	PS-BG-OS&Y
驱动方式 Driving manner	手动、齿动、电动 Hand-operated、Geared Driving、Electric Driving Device
设计标准 Design standard	JB/T 3593
结构长度 Face to face	JB/T 2788、GB/T 12221
焊接端口 Butt-welding Ends	JB/T 3593 ASME 16.25
试验和检验 Test & inspection	JB/T 3593

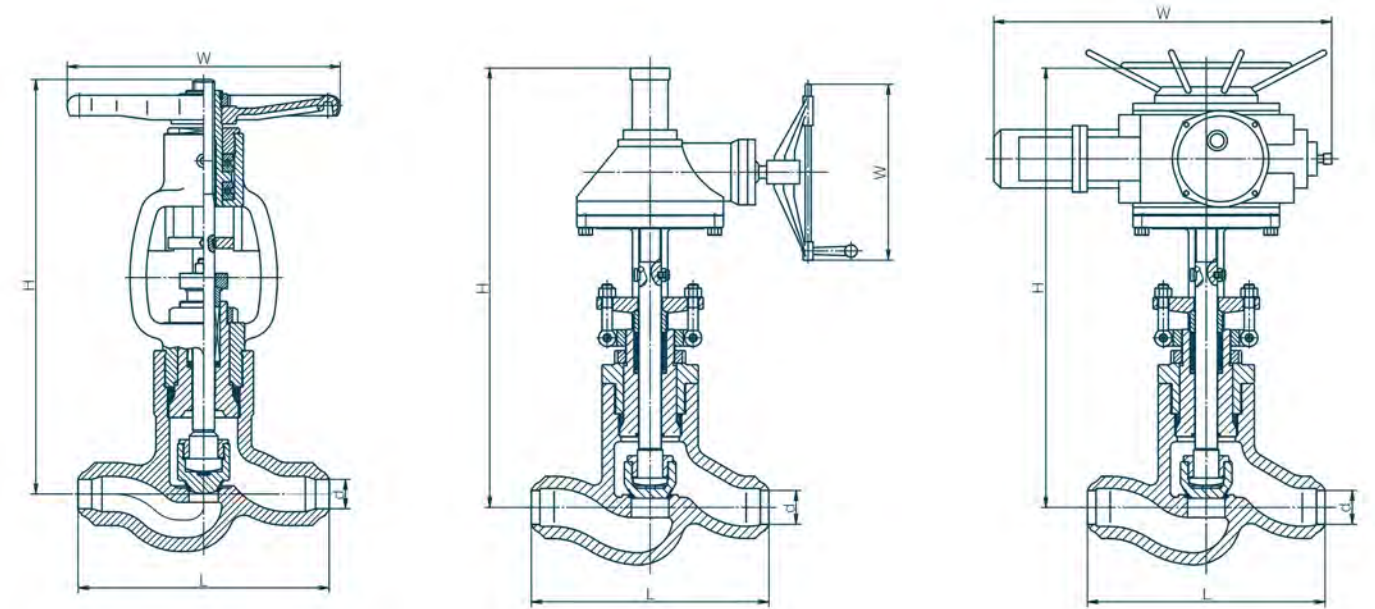
注：系列阀门连接法兰尺寸可根据用户要求设计制造。
Notes: The sizes of serial valve connecting flange can be designed according to customers' requirement.



主要零件材质 Form of major parts materials

序号 No.	零件名称 Part name	材质 Material
1	阀体 Body	WCB、WC1、WC6、WC9、C12
2	阀瓣 Disc	A105、A182-F11、F22、F5、F9
3	阀杆 Stem	A182-F6a、A182-F22、A182-F11
4	密封圈 Sealing ring	柔性石墨 Flexible Graphite
5	阀盖 Bonnet	WCB、WC1、WC6、WC9、C12
6	填料 Packing	柔性石墨 Flexible Graphite
7	支架 Yoke	WCB
8	电动装置 Electric motor driving	组合件 Assembled

电站截止阀 POWER STATION GLOBE VALVE



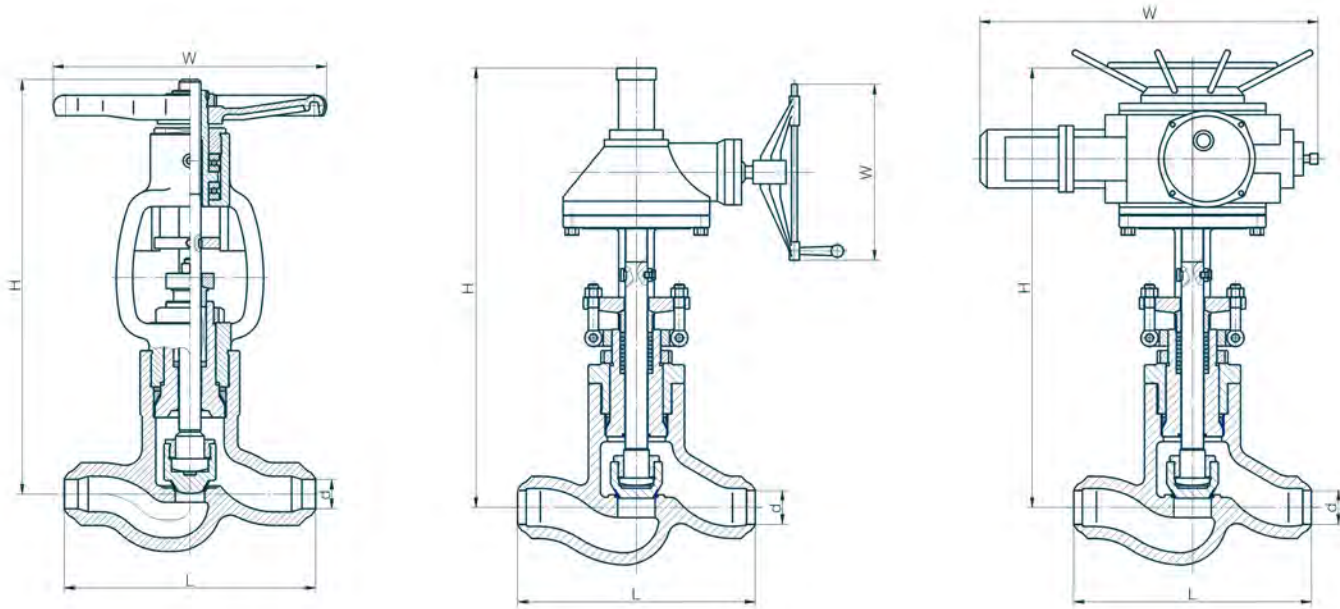
主要外形尺寸及重量 Main size of outside and weight

NPS (in)	L	d	手动 Hand-Operated		齿动 Gear Driving			齿动装置 Gear driving	电动 Electric Driving Device			电动装置 Electric Motor Driving	
			H	W	重量(kg) Weight	H	W		重量(kg) Weight	H	W		重量(kg) Weight
3	390	64	848	510	150	-	-	-	1030	305	265	SMC-00	
4	480	84	910	560	240	-	-	-	1070	305	384	SMC-0	
5	580	100	1030	610	251	995	460	303	BA-1	1135	457	520	SMC-1
6	630	126	-	-	-	1360	460	680	BA-1	1681	305	804	SMC-1
8	770	158	-	-	-	1500	610	762	BA-2	1860	305	948	SMC-1

主要外形尺寸及重量 Main size of outside and weight

NPS (in)	L	d	手动 Hand-Operated		齿动 Gear Driving			齿动装置 Gear Driving	电动 Electric Driving Device			电动装置 Electric Motor Driving	
			H	W	重量(kg) Weight	H	W		重量(kg) Weight	H	W		重量(kg) Weight
2 1/2	420	50	815	510	160	-	-	-	975	305	340	SMC-0	
3	470	60	895	560	200	-	-	-	1060	305	388	SMC-0	
4	570	80	1024	700	280	1125	460	386	BA-1	1220	305	542	SMC-1
5	660	96	-	-	-	1370	610	460	BA-2	1425	457	646	SMC-2
6	760	118	-	-	-	1430	610	560	BA-2	1480	457	780	SMC-2

电站截止阀 POWER STATION GLOBE VALVE



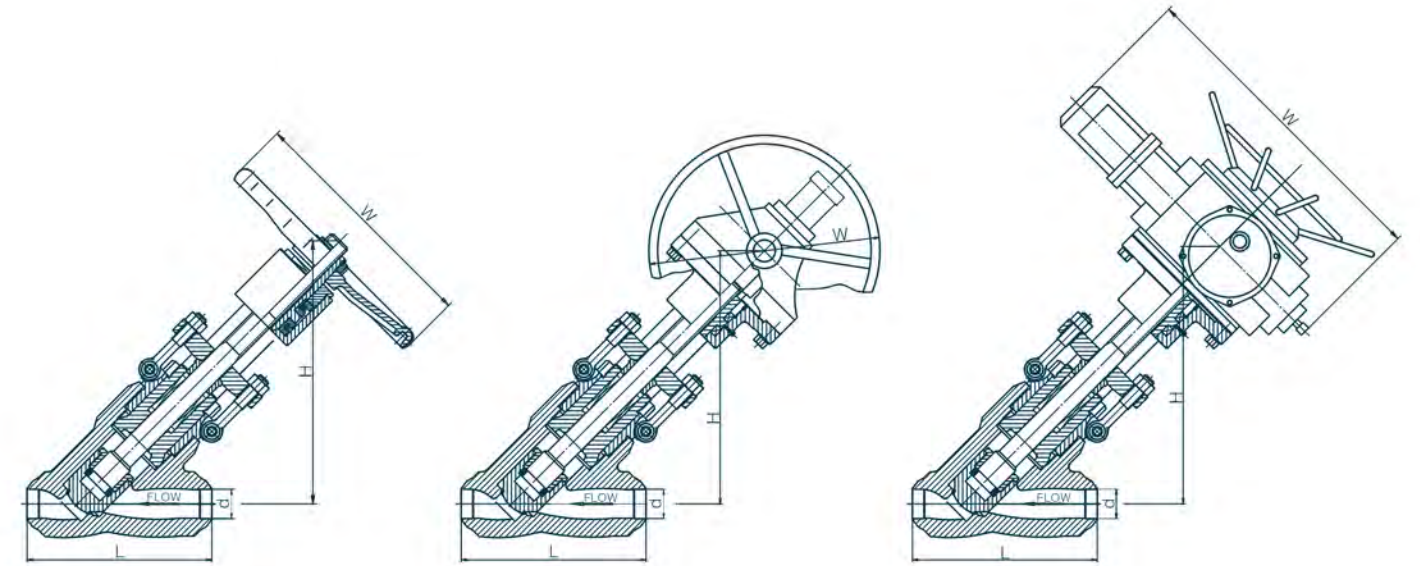
主要外形尺寸及重量 Main size of outside and weight J61Y-2500Lb、J561Y-2500Lb、J961Y-2500Lb

NPS (in)	L	d	手动 Hand-Operated			齿动 Gear Driving			齿动装置 Gear Driving	电动 Electric Driving Device			电动装置 Electric Motor Driving
			H	W	重量(kg) Weight	H	W	重量(kg) Weight		H	W	重量(kg) Weight	
2 1/2	420	46	857	510	250	-	-	-	-	975	305	390	SMC-0
3	470	54	940	560	290	-	-	-	-	1065	305	430	SMC-0
4	570	70	1085	700	325	1125	460	406	BA-1	1220	305	700	SMC-1
5	660	88	-	-	-	1370	610	505	BA-2	1425	457	772	SMC-2
6	760	104	-	-	-	1430	610	605	BA-2	1480	457	872	SMC-2

主要外形尺寸及重量 Main size of outside and weight J61Y-3500Lb、J561Y-3500Lb、J961Y-3500Lb

NPS (in)	L	d	手动 Hand-Operated			齿动 Gear Driving			齿动装置 Gear Driving	电动 Electric driving device			电动装置 Electric Motor Driving
			H	W	重量(kg) Weight	H	W	重量(kg) Weight		H	W	重量(kg) Weight	
2 1/2	480	38	890	460	235	-	-	-	-	945	305	342	SMC-00
3	640	48	1030	560	425	1055	310	458	BA-0	1150	305	565	SMC-0
4	762	60	-	-	-	1264	460	641	BA-1	1366	305	810	SMC-0
5	864	74	-	-	-	1435	460	903	BA-1	1530	457	920	SMC-2
6	965	88	-	-	-	1600	760	1050	BA-2	1725	610	1100	SMC-3

电站Y形截止阀 POWER STATION Y-TYPE GLOBE VALVE



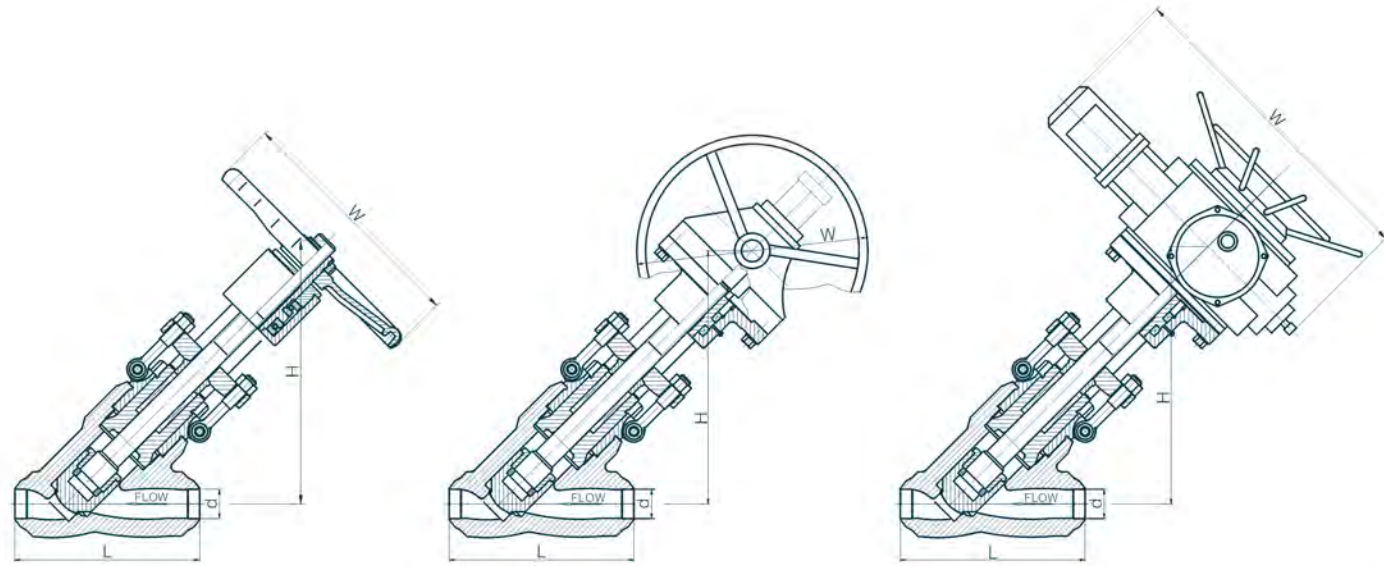
主要外形尺寸及重量 Main size of outside and weight J65Y-1500Lb、J565Y-1500Lb、J965Y-1500Lb

NPS (in)	L	d	手动 Hand-Operated			齿动 Gear Driving			齿动装置 Gear Driving	电动 Electric driving device			电动装置 Electric Motor Driving
			H	W	重量(kg) Weight	H	W	重量(kg) Weight		H	W	重量(kg) Weight	
2 1/2	330	56	670	360	45	-	-	-	-	-	-	-	-
3	368	64	750	460	70	-	-	-	-	990	305	200	SMC-0
4	457	84	830	510	110	-	-	-	-	990	305	310	SMC-1
5	533	100	910	560	129	1100	460	505	BA-1	1115	305	514	SMC-1
6	610	126	1100	610	180	1730	610	520	BA-2	1763	457	534	SMC-2
8	762	158	-	-	-	2010	610	820	BA-2	2026	457	950	SMC-2

主要外形尺寸及重量 Main size of outside and weight JZ565Y-2000Lb、J965Y-2000Lb

NPS (in)	L	d	齿动 Gear Driving			齿动装置 Gear Driving	电动 Electric Driving Device			电动装置 Electric Motor Driving
			H	W	重量(kg) Weight		H	W	重量(kg) Weight	
4	457	80	870	460	214	BA-1	990	305	327	SMC-1
5	533	96	995	460	303	BA-1	1115	305	408	SMC-1
6	610	118	1025	610	470	BA-2	1423	457	470	SMC-2
8	762	148	1505	610	980	BA-2	1615	457	1050	SMC-2
10	914	180	1825	760	1280	BA-3	2240	610	1582	SMC-4
12	1041	222	2300	610	2714	B-4-PA-2	2490	610	2340	SMC-4

电站Y形截止阀 POWER STATION Y-TYPE GLOBE VALVE



主要外形尺寸及重量 Main size of outside and weight J65Y-2500Lb、J565Y-2500Lb、J965Y-2500Lb

NPS (in)	L	d	手动 Hand-Operated			齿动 Gear Driving			齿动装置 Gear Driving	电动 Electric Driving Device			电动装置 Electric Motor Driving
			H	W	重量(kg) Weight	H	W	重量(kg) Weight		H	W	重量(kg) Weight	
2	310	38	550	300	42	-	-	-	-	810	305	130	SMC-00
2 1/2	340	46	670	360	72	-	-	-	-	895	305	160	SMC-00
3	390	54	750	460	81	750	310	121	BA-0	995	305	217	SMC-0
4	480	70	830	720	130	870	460	212	BA-1	990	305	337	SMC-1
5	580	86	-	-	-	995	460	312	BA-1	1115	305	432	SMC-1
6	630	104	-	-	-	1205	610	410	BA-2	1280	457	652	SMC-2
8	770	130	-	-	-	1565	610	1060	BA-2	1615	457	1122	SMC-2
10	930	162	-	-	-	1870	760	1380	BA-3	1930	610	1652	SMC-3
12	1060	210	-	-	-	2335	760	2824	B-4-PA-2	2240	610	2862	SMC-4
14	1160	234	-	-	-	2515	760	3624	B-4-PA-2	2420	610	3662	SMC-4

主要外形尺寸及重量 Main size of outside and weight J565Y-3500Lb、J965Y-3500Lb

NPS (in)	L	d	齿动 Gear Driving			齿动装置 Gear Driving	电动 Electric Driving Device			电动装置 Electric Motor Driving
			H	W	重量(kg) Weight		H	W	重量(kg) Weight	
3	470	48	817	310	172	BA-0	1005	305	272	SMC-0
4	550	60	930	310	293	BA-0	1133	305	387	SMC-0
5	660	74	1075	460	462	BA-1	1280	305	582	SMC-1
6	790	88	1220	460	727	BA-1	1320	305	847	SMC-1



电站止回阀 POWER STATION SWING CHECK VALVE

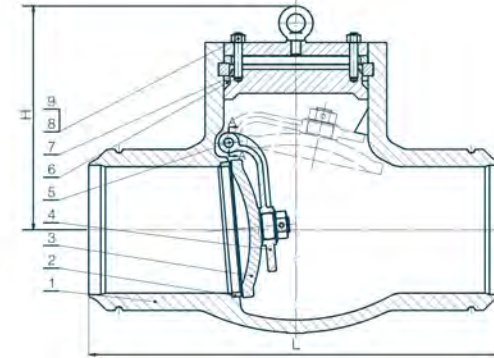
技术规范 Technical specification

结构形式 Structural Formation	PS-BG-OS&Y
驱动方式 Driving Manner	手动、齿动、电动 Hand-operated、Geared Driving、Electric Driving Device
设计标准 Design Standard	JB/T 3595
结构长度 Face to face	JB/T 2766、GB/T 12221
焊接端口 Butt-welding Ends	JB/T 3595 ASME 16.25
试验和检验 Test & Inspection	JB/T 3595

注：系列阀门连接法兰尺寸可根据用户要求设计制造。
Notes: The sizes of serial valve connecting flange can be designed according to customers' requirement.

主要零件材质 Form of major parts materials

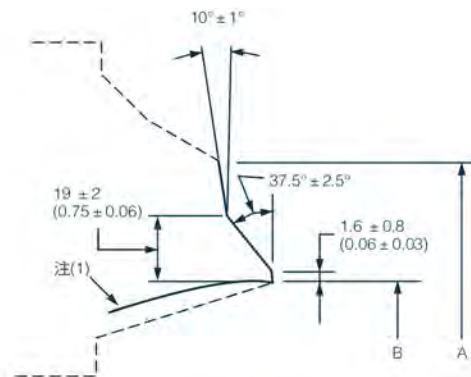
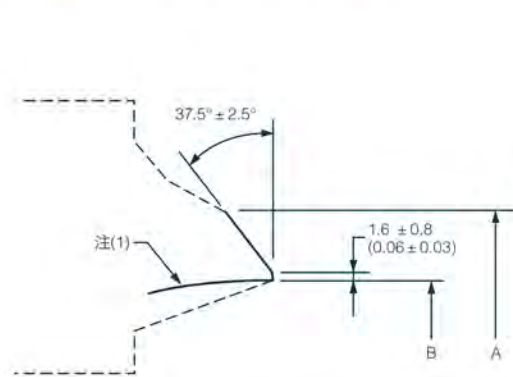
序号 No.	零件名称 Part name	材质 Material
1	阀体 Body	WCB、WC1、WC6、WC9
2	阀座 Seat	A105、25、15CrMoA、12CrMoVA
3	阀瓣 Disc	A105、25、12CrMoVA
4	摇杆 Arm	WCB、WC1、WC6、WC9
5	销轴 Pin	A105、25、15CrMoA、12CrMoVA
6	密封圈 Sealing ring	柔性石墨 Flexible Graphite
7	阀盖 Bonnet	WCB、WC1、WC6、WC9
8	双头螺柱 Stud	35CrMoA、25Cr2MoVA
9	螺母 Nut	35CrMoA、25Cr2MoVA



主要外形尺寸及重量 Main size of outside and weight H64Y-1500Lb、H64Y-2000Lb、H64Y-2500Lb

NPS (in)	1500Lb				2000Lb				2500Lb			
	L	d	H	重量(kg) Weight	L	d	H	重量(kg) Weight	L	d	H	重量(kg) Weight
2 1/2	254	55	282	45	330	50	240	40	-	-	-	-
3	305	64	274	50	368	60	305	60	368	54	297	44
4	406	84	350	80	457	80	315	95	457	70	385	110
5	483	100	425	115	533	96	409	170	533	86	403	168
6	559	126	400	180	610	118	465	186	610	104	455	192
8	711	158	490	270	762	147	528	415	762	130	557	456
10	864	200	540	430	914	180	613	658	914	162	615	730
12	991	250	650	630	1041	222	660	1200	1041	210	715	1120
14	1067	280	710	1400	1118	254	745	1638	1118	234	790	1495
16	-	-	-	-	-	-	-	-	1245	264	815	1950
18	-	-	-	-	-	-	-	-	1397	304	815	2400

对接焊端 BUTT-WELDING ENDS



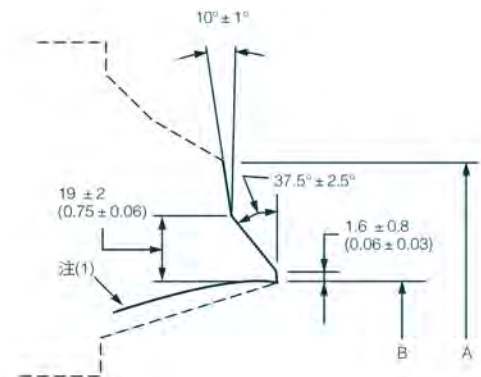
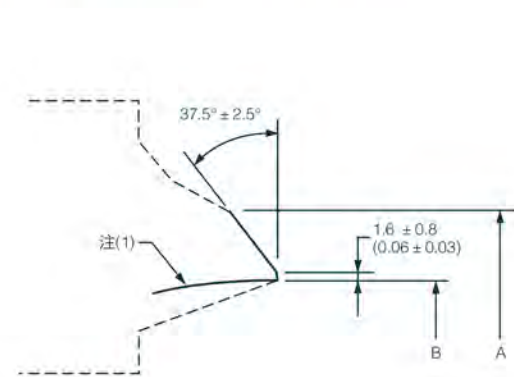
DN65-250

管子公称规格 DN	管壁厚度系列号 [注(1)]	焊接端部外径		B	C[注(3)]	t
		锻造或加工组件 [注(1)]A	铸钢阀门 [注(2)]A			
65	40	73.0	75	62.5	662.93	5.16
	80	73.0	75	59	59.69	7.01
	160	73.0	75	54	55.28	9.35
	XXS	73.0	75	45	47.43	14.02
80	40	88.9	91	78	78.25	5.49
	80	88.9	91	73.5	74.53	7.62
	160	88.9	91	66.5	68.38	11.13
90	XXS	88.9	91	58.5	61.19	15.24
	40	101.6	105	90	90.52	5.74
	80	101.6	105	85.5	86.42	8.08
100	40	114.3	117	102	102.73	6.02
	80	114.3	117	97	98.28	8.56
	120	114.3	117	92	93.78	11.13
	160	114.3	117	87.5	89.65	13.49
125	XXS	114.3	117	80	83.30	17.12
	40	141.3	144	128	128.80	6.55
	80	141.3	144	122	123.58	9.3
	120	141.3	144	116	118.04	12.70
150	160	141.3	144	109.5	112.47	15.88
	XXS	141.3	144	103	106.92	19.05
	40	168.3	172	154	154.82	7.11
	80	168.3	172	146.5	148.06	10.97
200	120	168.3	172	140	142.29	14.27
	160	168.3	172	132	135.31	18.26
	XXS	168.3	172	124.5	128.85	21.95
	40	219.1	223	203	203.75	8.18
250	60	219.1	223	198.5	200.02	10.31
	80	219.1	223	193.5	195.84	12.70
	100	219.1	223	189	191.65	15.09
	120	219.1	223	182.5	186.11	18.26
300	140	219.1	223	178	181.98	20.62
	XXS	219.1	223	174.5	179.16	22.23
	160	219.1	223	173	177.79	23.01
	40	273.0	278	254.5	255.74	9.27
350	60	273.0	278	247.5	249.74	12.70
	80	273.0	278	243	245.55	15.09
	100	273.0	278	236.5	240.01	18.26
	120	273.0	278	230	234.44	21.44
400	140	273.0	278	222	227.51	25.40
	160	273.0	278	216	221.95	28.58

DN300-450

管子公称规格 DN	管壁厚度系列号 [注(1)]	焊接端部外径		B	C[注(3)]	t
		锻造或加工组件 [注(1)]A	铸钢阀门 [注(2)]A			
300	STD	323.8	329	305	306.08	9.53
	40	323.8	329	303	304.72	10.31
	XS	323.8	329	298.5	300.54	12.70
	60	323.8	329	295	297.79	14.27
350	80	323.8	329	289	292.17	17.48
	100	323.8	329	281	285.24	21.44
	120	323.8	329	273	278.31	25.40
	140	323.8	329	266.5	272.75	28.58
400	160	323.8	329	257	264.45	33.32
	STD	355.6	362	336.5	337.88	9.53
	40	355.6	362	333.5	335.08	11.13
	XS	355.6	362	330	332.34	12.70
450	60	355.6	362	325.5	328.15	15.09
	80	355.6	362	317.5	321.22	19.05
	100	355.6	362	308	312.86	23.83
	120	355.6	362	300	305.93	27.79
500	140	355.6	362	292	299.00	31.75
	160	355.6	362	284	292.07	35.71
	STD	406.4	413	387.5	388.68	9.53
	40	406.4	413	381	383.14	12.70
550	60	406.4	413	373	376.21	16.66
	80	406.4	413	363.5	367.84	21.44
	100	406.4	413	354	359.53	26.19
	120	406.4	413	344.5	351.18	30.96
600	140	406.4	413	333.5	341.43	36.53
	160	406.4	413	325.5	334.50	40.49
	STD	457.2	464	438	439.48	9.53
	40	457.2	464	432	433.94	12.70
650	60	457.2	464	428.5	431.19	14.27
	80	457.2	464	419	422.82	19.05
	100	457.2	464	409.5	414.46	23.83
	120	457.2	464	398.5	404.78	29.36
700	140	457.2	464	387.5	395.03	34.93
	160	457.2	464	378	386.77	39.67
	STD	508.0	516	489	490.28	9.53
	40	508.0	516	482.5	484.74	12.70
750	60	508.0	516	478	480.55	15.09
	80	508.0	516	467	470.88	20.62
	100	508.0	516	455.5	461.13	26.19
	120	508.0	516	443	450.02	32.54
800	140	508.0	516	432	440.29	38.10
	160	508.0	516	419	429.17	44.45
	STD	558.8	567	539	541.08	9.53
	40	558.8	567	533	535.54	12.70
850	60	558.8	567	514	518.86	22.23
	80	558.8	567	501	507.75	28.58
	100	558.8	567	488.5	496.63	34.93
	120	558.8	567	476	485.52	41.28
900	140	558.8	567	463	474.41	47.63
	160	558.8	567	450.5	463.30	53.98
	STD	609.6	619	590.5	591.88	9.53
	40	609.6	619	584	586.34	12.70
950	60	609.6	619	581	583.59	14.27
	80	609.6	619	574.5	577.97	17.48
	100	609.6	619	560.5	565.49	24.61
	120	609.6	619	547.5	554.38	30.96
1000	140	609.6	619	532	540.49	38.89
	160	609.6	619	517.5	528.03	46.02
	STD	660.4	670	645.5	645.50	7.92
	40	660.4	670	635	637.14	12.70
1050	60	660.4	670	625	627.14	15.88
	80	660.4	670	611.2	611.2	19.05
	100	660.4	670	597.5	597.5	22.23
	120	660.4	670	584	584	25.40
1100	140	660.4	670	570.5	570.5	28.58
	160	660.4	670	557	557	31.75
	STD	711.2	721	695.5	695.5	7.92
	40	711.2	721	685.5	685.5	11.13
1150	60	711.2	721	675.5	675.5	14.27
	80	711.2	721	661.5	661.5	17.48
	100	711.2	721	647.5	647.5	20.62
	120	711.2	721	633.5	633.5	23.83
1200	140	711.2	721	619.5	619.5	27.01
	160	711.2	721	605.5	605.5	30.20
	STD	762.0	772	746	746	7.92
	40	762.0	772	736	736	11.13
1250	60	762.0	772	726	726	14.27
	80	762.0	772	712	712	17.48
	100	762.0	772	698	698	20.62
	120	762.0	772	684	684	23.83
1300	140	762.0	772	670	670	27.01
	160	762.0	772	656	656	30.20
	STD	812.8	825	797	797	7.92
	40	812.8	825	787.5	787.5	11.13
1350	60	812.8	825	777.5	777.5	14.27
	80	812.8	825	763.5	763.5	17.48
	100	812.8	825	749.5	749.5	20.62
	120	812.8	825	735.5	735.5	23.83
1400	140	812.8	825	721.5	721.5	27.01
	160	812.8	825	707.5	707.5	30.20
	STD	863.6	876	848	848	7.92
	40	863.6	876	838	838	11.13
1450	60	863.6	876	828	828	14.27
	80	863.6	876	814	814	17.48
	100	863.6	876	800	800	20.62
	120	863.6	876	786	786	23.83
1500	140	863.6	876	772	772	27.01
	160	863.6	876	758	758	30.20
	STD	914.4	927	898.5	898.5	7.92
	40	914.4	927	889	889	11.13
1550	60	914.4	927	879.5	879.5	14.27
	80	914.4	927	865.5	865.5	17.48
	100	914.4	927	851.5	851.5	20.62
	120	914.4	927	837.5	837.5	23.83
1600	140	914.4	927	823.5	823.5	27.01
	160	914.4	927	809.5	809.5	30.20

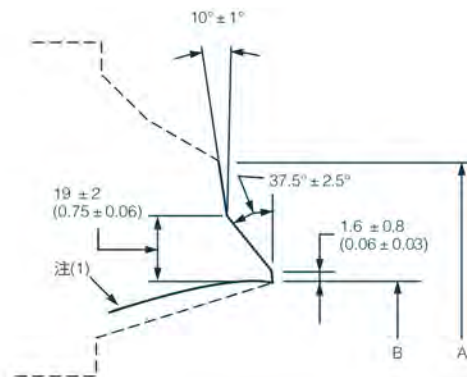
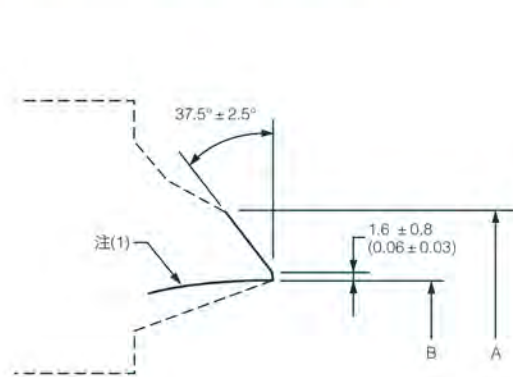
对接焊端 BUTT-WELDING ENDS



DN500-800

管子公称规格 DN	管壁厚度系列号 [注(1)]	焊接端部外径		B	C[注(3)]	t
		锻造或加工组件 [注(1)]A	铸钢阀门 [注(2)]A			
500	STD	508.0	516	489	490.28	9.53
	XS	508.0	516	482.5	484.74	12.70
	40	508.0	516	478	480.55	15.09
	60	508.0	516	467	470.88	20.62
550	80	508.0	516	455.5	461.13	26.19
	100	508.0	516	443	450.02	32.54
	120	508.0	516	432	440.29	38.10
	140	508.0	516	419	429.17	44.45
600	160	508.0	516	408	419.44	50.01
	STD	558.8	567	539	541.08	9.53
	XS	558.8	567	533	535.54	12.70
	60	558.8	567	514	518.86	22.23
650	80	558.8	567	501	507.75	28.58
	100	558.8	567	488.5	496.63	34.93
	120	558.8	567	476	485.52	41.28
	140	558.8	567	463	474.41	47.63
700	160	558.8	567	450.5	463.30	53.98
	STD	609.6	619	590.5	591.88	9.53
	XS	609.6	619	584	586.34	12.70
	30	609.6	619	581	583.59	14.27
750	40	609.6	619	574.5	577.97	17.48
	60	609.6	619	560.5	565.49	24.61
	80	609.6	619	547.5	554.38	30.96
	100	609.6	619	532	540.49	38.89
800	120	609.6	619	517.5	528.03	46.02
	140	609.6	619	505	516.91	52.37
	160	609.6	619	490.5	504.37	59.54
	10	660.4	670	645.5	645.50	7.92
850	20	660.4	670	635	637.14	12.70
	30	660.4	670	625	627.14	15.88
	40	660.4	670	611.2	611.2	19.05</

对接焊端 BUTT-WELDING ENDS



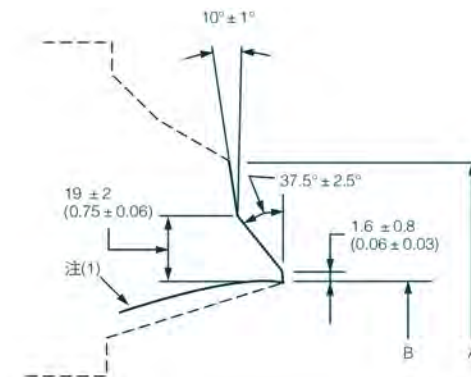
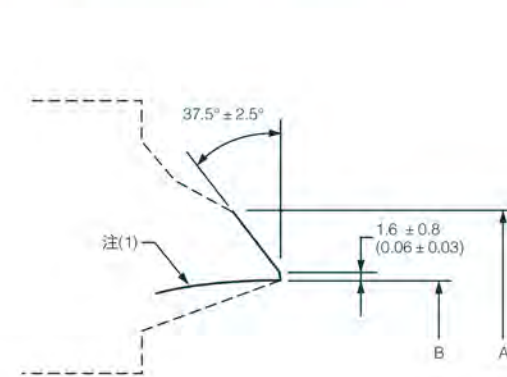
DN65-250

Pipe nominal specification (DN)	Series of pipe schedule thickness [Note(1)]	Welded-end out diameters		B	C[Note(3)]	t
		Forged or manufactured components [Note(1)]A	Casting steel valve [Note(2)]A			
65	40	73.0	75	62.5	662.93	5.16
	80	73.0	75	59	59.69	7.01
	160	73.0	75	54	55.28	9.35
	XXS	73.0	75	45	47.43	14.02
80	40	88.9	91	78	78.25	5.49
	80	88.9	91	73.5	74.53	7.62
	160	88.9	91	66.5	68.38	11.13
90	XXS	88.9	91	58.5	61.19	15.24
	40	101.6	105	90	90.52	5.74
	80	101.6	105	85.5	86.42	8.08
100	40	114.3	117	102	102.73	6.02
	80	114.3	117	97	98.28	8.56
	120	114.3	117	92	93.78	11.13
	160	114.3	117	87.5	89.65	13.49
125	XXS	114.3	117	80	83.30	17.12
	40	141.3	144	128	128.80	6.55
	80	141.3	144	122	123.58	9.3
	120	141.3	144	116	118.04	12.70
150	160	141.3	144	109.5	112.47	15.88
	XXS	141.3	144	103	106.92	19.05
	40	168.3	172	154	154.82	7.11
	80	168.3	172	146.5	148.06	10.97
200	120	168.3	172	140	142.29	14.27
	160	168.3	172	132	135.31	18.26
	XXS	168.3	172	124.5	128.85	21.95
	40	219.1	223	203	203.75	8.18
250	60	219.1	223	198.5	200.02	10.31
	80	219.1	223	193.5	195.84	12.70
	100	219.1	223	189	191.65	15.09
	120	219.1	223	182.5	186.11	18.26
300	140	219.1	223	178	181.98	20.62
	XXS	219.1	223	174.5	179.16	22.23
	160	219.1	223	173	177.79	23.01
	40	273.0	278	254.5	255.74	9.27
350	60	273.0	278	247.5	249.74	12.70
	80	273.0	278	243	245.55	15.09
	100	273.0	278	236.5	240.01	18.26
	120	273.0	278	230	234.44	21.44
400	140	273.0	278	222	227.51	25.40
	160	273.0	278	216	221.95	28.58

DN300-450

Pipe nominal specification (DN)	Series of pipe schedule thickness [Note(1)]	Welded-end out diameters		B	C[Note(3)]	t
		Forged or manufactured components [Note(1)]A	Casting steel valve [Note(2)]A			
300	STD	323.8	329	305	306.08	9.53
	40	323.8	329	303	304.72	10.31
	XS	323.8	329	298.5	300.54	12.70
	60	323.8	329	295	297.79	14.27
350	80	323.8	329	289	292.17	17.48
	100	323.8	329	281	285.24	21.44
	120	323.8	329	273	278.31	25.40
	140	323.8	329	266.5	272.75	28.58
400	160	323.8	329	257	264.45	33.32
	STD	355.6	362	336.5	337.88	9.53
	40	355.6	362	333.5	335.08	11.13
	XS	355.6	362	330	332.34	12.70
450	60	355.6	362	325.5	328.15	15.09
	80	355.6	362	317.5	321.22	19.05
	100	355.6	362	308	312.86	23.83
	120	355.6	362	300	305.93	27.79
500	140	355.6	362	292	299.00	31.75
	160	355.6	362	284	292.07	35.71
	STD	406.4	413	387.5	388.68	9.53
	40	406.4	413	381	383.14	12.70
550	60	406.4	413	373	376.21	16.66
	80	406.4	413	363.5	367.84	21.44
	100	406.4	413	354	359.53	26.19
	120	406.4	413	344.5	351.18	30.96
600	140	406.4	413	333.5	341.43	36.53
	160	406.4	413	325.5	334.50	40.49
	STD	457.2	464	438	439.48	9.53
	40	457.2	464	432	433.94	12.70
650	60	457.2	464	428.5	431.19	14.27
	80	457.2	464	419	422.82	19.05
	100	457.2	464	398.5	404.78	29.36
	120	457.2	464	387.5	395.03	34.93
700	140	457.2	464	378	386.77	39.67
	160	457.2	464	366.5	376.99	45.24

对接焊端 BUTT-WELDING ENDS



DN500-800

Pipe nominal specification (DN)	Series of pipe schedule thickness [Note(1)]	Welded-end out diameters		B	C[Note(3)]	t
		Forged or manufactured components [Note(1)]A	Casting steel valve [Note(2)]A			
500	STD	508.0	516	489	490.28	9.53
	XS	508.0	516	482.5	484.74	12.70
	40	508.0	516	478	480.55	15.09
	60	508.0	516	467	470.88	20.62
550	80	508.0	516	455.5	461.13	26.19
	100	508.0	516	443	450.02	32.54
	120	508.0	516	432	440.29	38.10
	140	508.0	516	419	429.17	44.45
600	160	508.0	516	408	419.44	50.01
	STD	558.8	567	539	541.08	9.53
	XS	558.8	567	533	535.54	12.70
	60	558.8	567	514	518.86	22.23
650	80	558.8	567	501	507.75	28.58
	100	558.8	567	488.5	496.63	34.93
	120	558.8	567	476	485.52	41.28
	140	558.8	567	463	474.41	47.63
700	160	558.8	567	450.5	463.30	53.98
	STD	609.6	619	590.5	591.88	9.53
	XS	609.6	619	584	586.34	12.70
	30	609.6	619	581	583.59	14.27
750	40	609.6	619	574.5	577.97	17.48
	60	609.6	619	560.5	565.49	24.61
	80	609.6	619	547.5	554.38	30.96
	100	609.6	619	532	540.49	38.89
800	120	609.6	619	517.5	528.03	46.02
	140	609.6	619	505	516.91	52.37
	160	609.6	619	490.5	504.37	59.54
	10	660.4	670	645.5	645.50	7.92
850	20	660.4	670	635	637.14	12.70
	10	711.2	721	695.5	696.30	7.92
	20	711.2	721	686	687.94	12.70
	30	711.2	721	679.5	682.37	15.88
900	10	762.0	772	746	747.10	7.92
	20	762.0	772	736.5	738.74	12.70
	30	762.0	772	730	733.17	15.88
	10	812.8	825	797	797.90	7.92
950	20	812.8	825	787.5	789.54	12.70
	30	812.8	825	781	783.97	15.88
	40	812.8	825	778	781.17	17.48

DN850-900

Pipe nominal specification (DN)	Series of pipe schedule thickness [Note(1)]	Welded-end out diameters		B	C[Note(3)]	t
		Forged or manufactured components [Note(1)]A	Casting steel valve [Note(2)]A			
850	10	863.6	876	848	848.70	7.92
	20	863.6	876	838	840.34	12.70
	30	863.6	876	832	834.77	15.88
900	40	863.6	876	828.5	831.97	17.48
	10	914.4	927	898.5	889.50	7.92
	20	914.4	927	889	891.14	12.70
950	30	914.4	927	882.5	885.57	15.88
	40	914.4	927	876.5	880.02	19.05

Note:(1)Characters stand for:
 (a)STD=Standard schedule thickness
 (b)XS=Thickened
 (c)XXS=Super thickened
 (2)All the diameters are not required size, just be convenient for users.
 (3)Gasket rings for DN50 and below size are not considered to manufacture.